
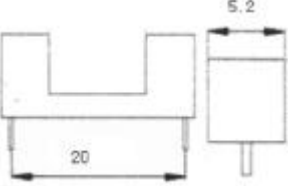
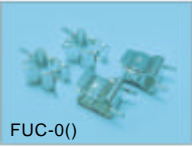
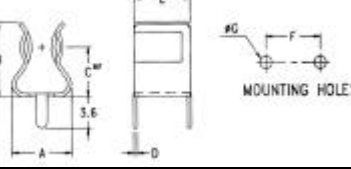

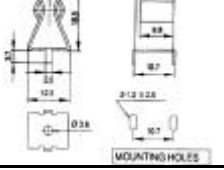



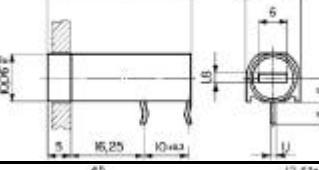

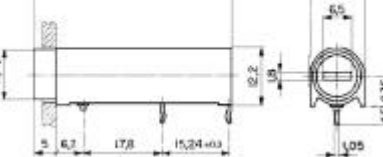



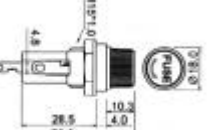
# FUSES & CIRCUIT PROTECTION

 <p>F3</p>		<p>Insertion&amp;ExtractionForce:1Kg.Min. DielectricStrengthFor60Sec:AC500VMin. Suitable RatedCurrent:6.3A250V Insulation Resistance At500VDC:100M 個 in TemperatureRise:50CMax. VoltageDrop:20mVMax.</p>
 <p>FUC-0()</p>		<p>MATERIAL:PHOSPHORBRONZE FINISH:TINPLATED(亮錫) 用途：將保險絲固定於PC板上，拆裝方便。 適用保險絲：O5.2,O6.3</p>
 <p>CQ-216</p>		<p>CQ-216For10.3mmDia.Fuses MetalMaterial:SpringBrass MaterialThickness:0.7t SuitableRatedCurrent:30A BrightTinPlated Option:GoldPlated EarType</p>
 <p>CQ-206CH</p>		<p>RatedCurrent:6.3A250V InsulationResistanceAt500VDC:100MMin ContactResistance:5mAt1ADC DielectricStrengthFor60Sec:AC1000VMin. Approvals:RU,CSA,SEMKO,FEMKO</p>
 <p>F00313558+F00313555-SR</p>		<p>FuseholderTypeFABandFAU bayonettypefusecarrier,slotted withorwithout"kicked"PCB-terminals degreeofprotectionIP40fromfrontside,accordingtoIEC60529 suitableforequipmentwithprotectionclassesIandIIaccordingtoIEC60536</p>
 <p>F00313577+F00311663-SR</p>		<p><b>Technicaldata</b> Ratedvoltage:250V Ratedcurrent:10A RatedpoweracceptanceatambientairtemperatureTa23 : 2W PoweracceptanceathigherTa:seederatingcurves AllowableambientairtemperaturesTforaccessibleparts:-40 b+85 Contactresistance:5m Dielectricstrength:&gt;4kV,50Hz,1Min.* Insulationresistance(500VDC/1Min):&gt;103M Solderability:235 /2s,accordingtoIEC60068-2-20,testTa,method1 Resistancetosolderingheat:350 /5s,accordingtoIEC60068-2-20,test Tb,method1B Materials socket:thermoset,UL94V-0 fusecarrier:thermoplastic,UL94V-0</p>


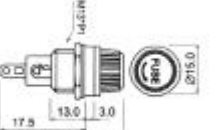
PartNo.	ProductNo.	Manuf.	Description	Size	Type
3639	F3		插板式保險絲座	5*20	
11208	FUC-03		保險絲插腳	5.2	
16304	CQ-216		保險絲插腳	Dia.10.3mm	
16324	CQ-206CH		Fuse Holders保險絲座	5*20mm	
17579	F00313558+F00313555-SR	conquer	插板式保險絲座	5*20mm	FAB
17578	F00313577+F00311663-SR	SCHURTER	插板式保險絲座	5*20mm	FAU
8102	FUC-02		保險絲插腳	5.2*20mm	
11209	FUC-04		保險絲插腳	6.3mm	

## 其他類保險絲座 面板用保險絲座 Fuse Holders

詳細產品規格--請點擊 [www.100y.com.tw](http://www.100y.com.tw)

 <p>R3-13-ASS</p>	
--	---

Material:  
FrameandCap: phenolic(ULflame:94V-1)  
Terminal:nickelplatedbrass. Mountedbynut.

 <p>R3-12-ASS</p>	
---	---

Material:  
FrameandCap:phenolic(ULflame:94V-2)  
Terminal:nickelplatedbrass. Mountedbynut.