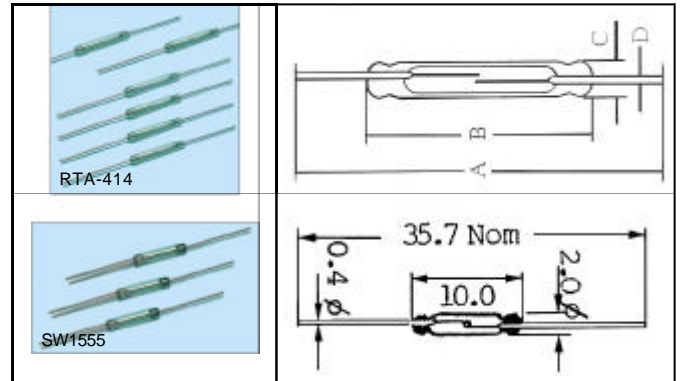
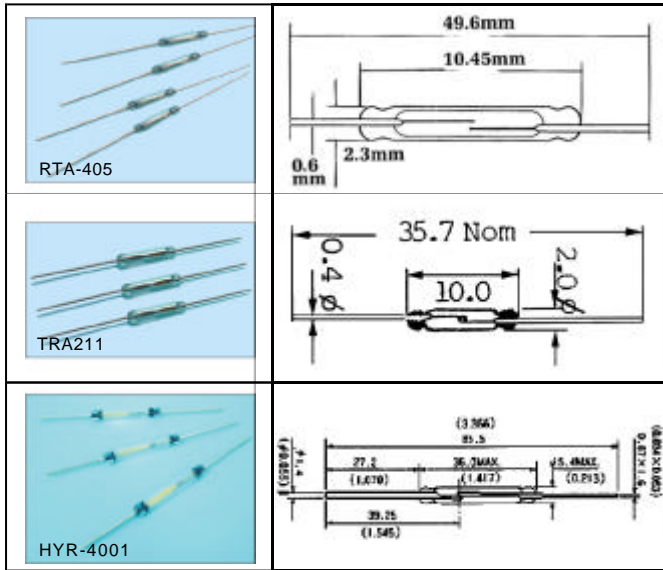


# RELAYS & SOLENIIDS



詳細產品規格--請點擊[www.100y.com.tw](http://www.100y.com.tw)

PartNo.	ProductNo.	Description	Max.switchedcur.	Contactres.	Lengthglass	Max.switchedVolt.
17199	HYR-4003	磁簧開關 Single pole, double throw	0.5A	75m	15.5mm	250VDC
2892	MKA-14103	磁簧開關 10-15AT Reed Switch	0.5A	115m	13.8mm	50Vac/100Vdc
11608	RTA-405	磁簧開關 AT15-20	0.5A	150m (max.)	10.45mm	100V
6844	RTA-414	磁簧開關	0.5A	150m (max.)	14.2mm	100V
25982	SW1555	磁簧開關 AT10-15	0.25A	200m	15.5mm	28V
3182	TRA211	磁簧開關 AT10-15	0.1A	200m	10.0mm	24V
25983	HYR-4001	磁簧開關 AT50-55	0.25A	200m	15.5mm	28V

## 小型PCB繼電器 RAYEX-PCB繼電器 "RAYEX" Relays

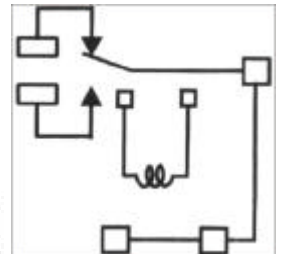
詳細產品規格--請點擊[www.100y.com.tw](http://www.100y.com.tw)



**FEATURES:**  
Open-frame and plastic sealed types  
European and USA footprints are available to meet international standards  
1A (1PST) and 1C (1PDT) contact arrangement  
Using automotive, industrial, domestic appliances, heavy loads, etc. control

**GENERAL DATA:**  
Insulation Resistance: 100MΩ min. (DC 500V)  
Dielectric Strength: 500VAC, 50/60Hz between contact.  
1,000VAC, 50/60Hz between elements.  
Contact Material: Silver-Cadmium Oxide as standard.  
Contact Resistance: 100 milliohms max. (initial value)  
Shock Resistance: Malfunction: 10G (11ms); Destructive: 100G (6ms)  
Vibration Resistance: Malfunction: 10 to 55Hz, at Double Amplitude of 1.5mm

Destructive: 10 to 55Hz, at Double Amplitude of 1.5mm  
Operation Time: 10ms max.  
Release Time: 5ms max.  
Temperature Range: -30 ~ +80  
Expected Life: With operation rate 30/min.  
Mechanical: 10,000,000 operations min.  
Electrical: 100,000 operations min.  
Atrated load.  
Weight: 17 grams

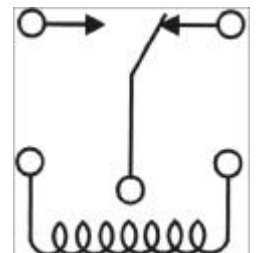


PartNo.	ProductNo.	Manuf.	Description	Contact Arrangement	Contact Rating	Coil Voltage	Outline L x W x H
18371	LA-12FW	RAYEX	Automotive Relay LA	1PST/1PDT	DC 12V 40A	12V	26*21.5*20mm
14421	LA-24F	RAYEX	Automotive Relay LA	1PST/1PDT	DC 14V 40A	24V	23*18.5*17mm
14422	LA-24FW	RAYEX	Automotive Relay LA	1PST/1PDT	DC 14V 40A	24V	26*21.5*20mm
14423	LA2A-12FW	RAYEX	Automotive Relay LA2	1PST-DM	DC 14V 40A	12V	26*21.5*20mm
14451	LA2A-24FW	RAYEX	Automotive Relay LA2	1PST-DM	DC 14V 40A	24V	26*21.5*20mm



**Specifications/Special Features:**  
Size (LxWxH): 21.5x16x17mm  
Contact arrangement: 1PST, 1PDT  
Contact rating (resistive load): 120VAC/10A, 24VDC/10A, 240VAC/6A  
Coil voltage: 5VDC, 6VDC, 9VDC, 12VDC, 24VDC  
Coil power (nominal): 0.36W (DC)  
Breakdown voltage: Between contacts: 750VAC  
Between elements: 1500VAC  
Insulation resistance: 500VDC, 100Mohms  
Life (min. operation): Mechanical: 10<sup>5</sup>  
Electrical (at rated load): 10<sup>5</sup>  
Approximate weight: 12g

**Safety/Quality Approvals:**  
TUV  
UL  
CUL



PartNo.	ProductNo.	Description	Contact Arrangement	Contact Rating	Coil Voltage	Recognized Safety	Outline LxWxH
8192	LE-12TW	繼電器 12Vdc LE	1PDT	120Vac 24Vdc/10A	12Vdc	UL, TUV	21.5*16*17
4469	LE-24TW	繼電器 COIL: 24Vdc LE	1PDT	120Vac 24Vdc/10A	24Vdc	UL, TUV	21.5*16*17

