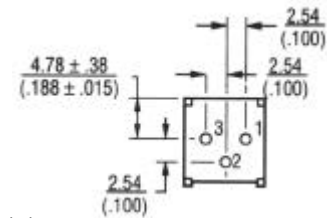


RESISTORS & POTENTIOMETERS

PartNo.	ProductNo.	Description	Value	Tolerance	功率W
15539	3006P-100	2 2轉玻璃釉可調電位器	100	±10%	0.75W
15540	3006P-200	2 2轉玻璃釉可調電位器	200	±10%	0.75W
15541	3006P-500	2 2轉玻璃釉可調電位器	500	±10%	0.75W
15542	3006P-1K	2 2轉玻璃釉可調電位器	1K	±10%	0.75W
15543	3006P-2K	2 2轉玻璃釉可調電位器	2K	±10%	0.75W
15544	3006P-10K	2 2轉玻璃釉可調電位器	10K	±10%	0.75W
15545	3006P-100K	2 2轉玻璃釉可調電位器	100K	±10%	0.75W
15546	3006P-2M	2 2轉玻璃釉可調電位器	2M	±10%	0.75W

詳細產品規格--請點擊www.100y.com.tw

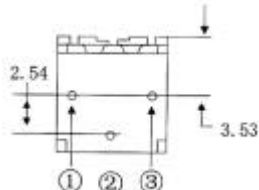
BOURNS-3386 單回轉半固定陶瓷可變電阻 BOURNS-3386 Single-Turn Cermet Trimmers



Features

- Single Turn/Cermet/Industrial/Sealed
- Available on tape and reel
- Available with knob for finger adjustment
- Available with extended shaft
- Available with cross-slot rotor
- Top and side adjust types (F, P, H, W, X most popular)
- High voltage types available

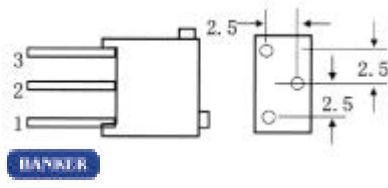
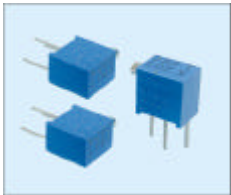
BANKER3362型玻璃釉預調電位器 BANKER3362 Cermet Trimmer



PartNo.	ProductNo.	Description	Value	Tolerance	功率W
15549	3362P-100	3362玻璃釉可調電位器	100	±10%	0.75W
15550	3362P-200	3362玻璃釉可調電位器	200	±10%	0.75W
15551	3362P-1K	3362玻璃釉可調電位器	1K	±10%	0.75W
15552	3362P-2K	3362玻璃釉可調電位器	2K	±10%	0.75W
15553	3362P-10K	3362玻璃釉可調電位器	10K	±10%	0.75W
15554	3362P-100K	3362玻璃釉可調電位器	100K	±10%	0.75W

PartNo.	ProductNo.	Description	Value	Tolerance	功率W
15023	3386P-1-101	BOURNS-3386可變電阻	100	±10%	1/2W
15024	3386P-1-201	BOURNS-3386可變電阻	200	±10%	1/2W
15025	3386P-1-501	BOURNS-3386可變電阻	500	±10%	1/2W
15026	3386P-1-102	BOURNS-3386可變電阻	1K	±10%	1/2W
15027	3386P-1-202	BOURNS-3386可變電阻	2K	±10%	1/2W
15028	3386P-1-502	BOURNS-3386可變電阻	5K	±10%	1/2W
15029	3386P-1-103	BOURNS-3386可變電阻	10K	±10%	1/2W
15030	3386P-1-203	BOURNS-3386可變電阻	20K	±10%	1/2W
15031	3386P-1-503	BOURNS-3386可變電阻	50K	±10%	1/2W
15032	3386P-1-104	BOURNS-3386可變電阻	100K	±10%	1/2W
15033	3386P-1-204	BOURNS-3386可變電阻	200K	±10%	1/2W
15034	3386P-1-504	BOURNS-3386可變電阻	500K	±10%	1/2W
15035	3386P-1-105	BOURNS-3386可變電阻	1M	±10%	1/2W

BANKER3266型玻璃釉預調電位器 BANKER3266 Cermet Trimmer



PartNo.	ProductNo.	Description	Value	Tolerance	功率W
15555	3266X-100	3266玻璃釉可調電位器	100	±10%	0.5W
15556	3266X-200	3266玻璃釉可調電位器	200	±10%	0.5W
15557	3266X-500	3266玻璃釉可調電位器	500	±10%	0.5W
15558	3266X-1K	3266玻璃釉可調電位器	1K	±10%	0.5W
15559	3266X-2K	3266玻璃釉可調電位器	2K	±10%	0.5W
15560	3266X-10K	3266玻璃釉可調電位器	10K	±10%	0.5W
17496	3266X-20K	3266玻璃釉可調電位器	20K	±10%	0.5W
15561	3266X-100K	3266玻璃釉可調電位器	100K	±10%	0.5W

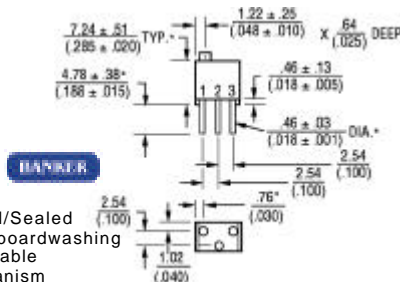
Piher 單回轉可調電阻 Piher Single-Turn Potentiometer



Features

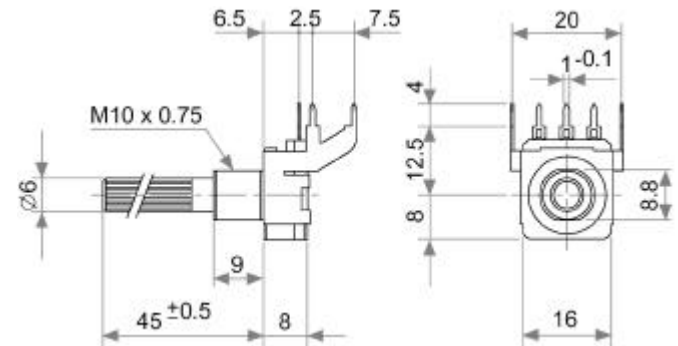
- Carbon resistive element
- Dust proof enclosure
- Polyester substrate
- Modular gang type (upto 4)
- Self-extinguishable material UL94-V0
- Upon request
- Metallic support
- Stereo matching
- Switch
- Nut & washer
- Bushless option available

BOURNS-3266 1/4"十二轉方型微調電阻 BOURNS-3266 Square Trimming Potentiometer



Features

- Multiturn/Cermet/Industrial/Sealed
- Standoffs allow thorough PCB board washing
- Tape and reel packaging available
- Patent #4427966 drive mechanism



詳細產品規格--請點擊www.100y.com.tw

PartNo.	ProductNo.	Description	Value	Tolerance	Shaft Dia
21384	PC16SH07M11-103A2020-TA	16mm Carbon Potentiometer	10K	±20%	M11
21385	PC16SH07M11-104A2020-TA	16mm Carbon Potentiometer	100K	±20%	M11

