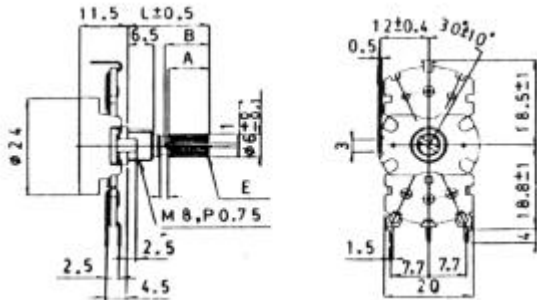


RESISTORS & POTENTIOMETERS

PartNo.	ProductNo.	Description	Value	功率W
5458	B500 -16KN-1/4W	插板式可變電阻	500	1/4W
5459	B1K -16KN-1/4W	插板式可變電阻	1K	1/4W
2066	B2K -16KN-1/4W	插板式可變電阻	2K	1/4W
2067	B5K -16KN-1/4W	插板式可變電阻	5K	1/4W
2068	B10K -16KN-1/4W	插板式可變電阻	10K	1/4W
2069	B20K -16KN-1/4W	插板式可變電阻	20K	1/2W
2070	B30K -16KN-1/4W	插板式可變電阻	30K	1/4W
10655	B50K -16KN-1/4W	插板式可變電阻	50K	1/4W
4790	B100K -16KN-1/4W	插板式可變電阻	100K	1/4W
6075	B250K -16KN-1/4W	插板式可變電阻	250K	1/4W
10656	B500K -16KN-1/4W	插板式可變電阻	500K	1/4W
12194	B1M -16-15KQ-16-18	插板式可變電阻	1M	1/4W
4791	B2M -16KN-1/4W	插板式可變電阻	2M	1/4W



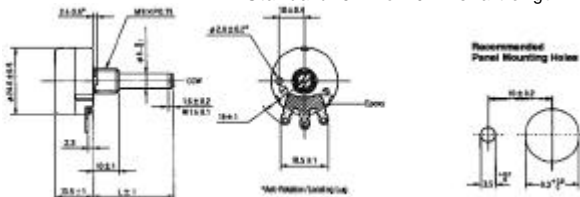
全電阻值容許差 ±20%
 Resistance Tolerance ±20%
 電阻變化特性 A.B.C.W.
 Resistance Taper A.B.C.W.
 額定電功率 0.5W(MAX)
 Power Rating 0.5W(MAX)
 回轉角度 300 ±10°
 Mechanical Travel 300 ±10°
 回轉扭力 50~300g.cm
 Operating Torque 50~300g.cm



PartNo.	ProductNo.	Description	Value	功率W
5461	B500 -24 -1/2W	焊接式可變電阻	500	1/2W
4534	B1K -24 -1/2W	焊接式可變電阻	1K	1/2W
5462	B2K -24 -1/2W	焊接式可變電阻	2K	1/2W
5463	B5K -24 -1/2W	焊接式可變電阻	5K	1/2W
4792	B10K -24 -1/2W	焊接式可變電阻	10K	1/2W
5464	B20K -24 -1/2W	焊接式可變電阻	20K	1/2W
5465	B50K -24 -1/2W	焊接式可變電阻	50K	1/2W
5466	B100K -24 -1/2W	焊接式可變電阻	100K	1/2W
5467	B250K -24 -1/2W	焊接式可變電阻	250K	1/2W
5468	B500K -24 -1/2W	焊接式可變電阻	500K	1/2W
5469	B1M -24 -1/2W	焊接式可變電阻	1M	1/2W



Features
 24mmdiameter, single-turn industrial panel controls
 Carbon film element Linear or audio tapers
 Single, tandem and triple units, single shaft; dual unit, dual shaft
 SPST or SPDT switch with 1A or 3A rating
 Shaft lock models Metal shaft and bushing
 Panel mount only Right angle ear-lug terminals
 6mm diameter shafts in slot, flat or rounded end styles
 Standard 15mm or 20mm shaft length

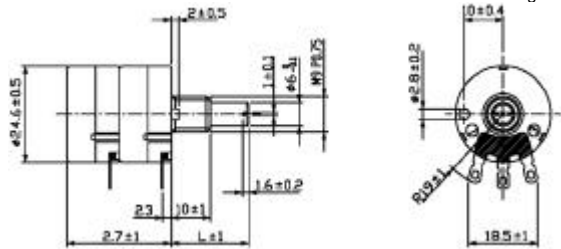


詳細產品規格--請點擊 www.100y.com.tw

PartNo.	ProductNo.	Manuf.	Description	Value	功率W
5452	RV24YN20S-B101	TOCOS	可變電阻	100	1/2W
5454	RV24YN20S-B201	TOCOS	可變電阻	200	1/2W
5453	RV24YN20S-B501	TOCOS	可變電阻	500	1/2W
5455	RV24YN20S-B102	TOCOS	可變電阻	1K	1/2W
5456	RV24YN20S-B202	TOCOS	可變電阻	2K	1/2W
5480	RV24YN20S-B502	TOCOS	可變電阻	5K	1/2W
5481	RV24YN20S-B103	TOCOS	可變電阻	10K	1/2W
5483	RV24YN20S-B203	TOCOS	可變電阻	20K	1/2W
5484	RV24YN20S-B503	TOCOS	可變電阻	50K	1/2W
5486	RV24YN20S-B104	TOCOS	可變電阻	100K	1/2W
5487	RV24YN20S-B504	TOCOS	可變電阻	500K	1/2W
2533	RV24YN20S-B105	TOCOS	可變電阻	1M	1/2W



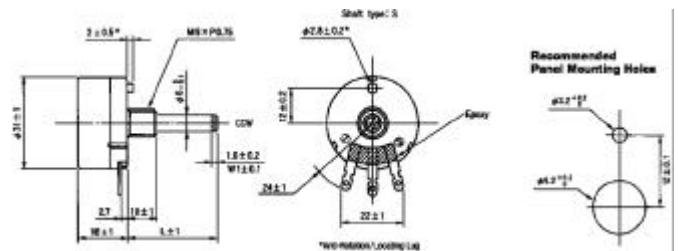
Features
 24mmdiameter, single-turn industrial panel controls
 Carbon film element Linear or audio tapers
 Single, tandem and triple units, single shaft; dual unit, dual shaft
 SPST or SPDT switch with 1A or 3A rating
 Shaft lock models Metal shaft and bushing
 Panel mount only Right angle ear-lug terminals
 6mm diameter shafts in slot, flat or rounded end styles
 Standard 15mm or 20mm shaft length



PartNo.	ProductNo.	Manuf.	Description	Value
23137	RV24YG20S15A103*2	TOCOS	雙層可變電阻	10K
23136	RV24YG20S15A503*2	TOCOS	雙層可變電阻	50K
23135	RV24YG20S15A104*2	TOCOS	雙層可變電阻	100K



Features
 30mmdiameter, single-turn industrial panel controls
 Carbon film element Linear or audio tapers
 Single, tandem and triple units, single shaft; dual unit, dual shaft
 SPST or SPDT switch with 1A or 3A rating
 Shaft lock models Metal shaft and bushing
 Panel mount only Right angle ear-lug terminals
 6mm diameter shafts in slot, flat or rounded end styles
 Standard 15mm or 20mm shaft length



PartNo.	ProductNo.	Manuf.	Description	Value	功率W
5440	RV30YN20S-B101	TOCOS	可變電阻	100	1W
5441	RV30YN20S-B201	TOCOS	可變電阻	200	1W
5442	RV30YN20S-B501	TOCOS	可變電阻	500	1W
5443	RV30YN20S-B102	TOCOS	可變電阻	1K	1W
5439	RV30YN20S-B202	TOCOS	可變電阻	2K	1W

詳細產品規格--請點擊 www.100y.com.tw

