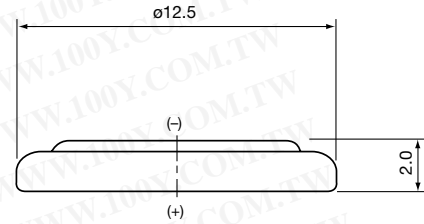


勝特力材料 886-3-5753170
 勝特力电子(上海) 86-21-34970699
 勝特力电子(深圳) 86-755-83298787
[Http://www.100y.com.tw](http://www.100y.com.tw)

Model	CR1220
System	Manganese dioxide-Li/Organic Electrolyte
Nominal Voltage (V)	3
Nominal Capacity (mAh)*	36
Nominal Discharge Current (mA)	0.1
Operating Temperature Range (deg. C)**	-20 to +85
Weight (g)***	0.8
Dimensions (mm)***	
Diameter	12.5
Height	2.0
UL Recognition	MH12568

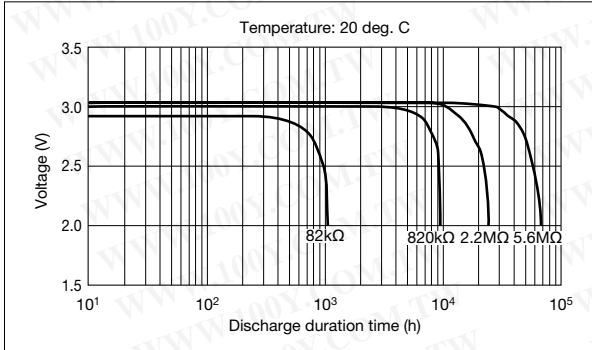


Available Terminals and Wire Connectors

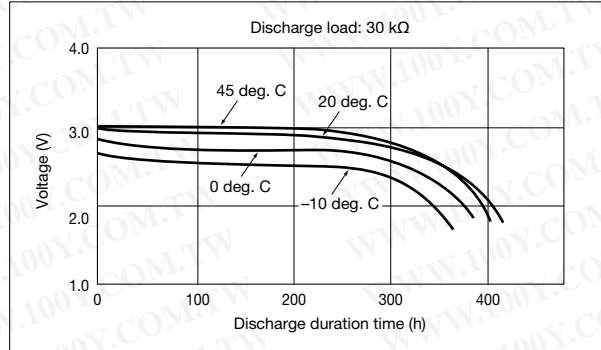
Check http://www.maxell.co.jp/e/products/industrial/battery/pdf/cr1220tw_e.pdf for diagrams of batteries with terminals.

Characteristics

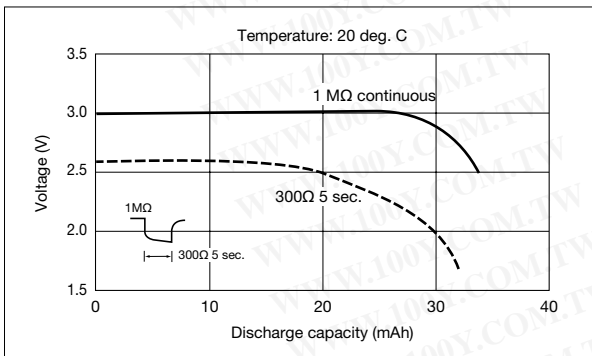
● Discharge Characteristics



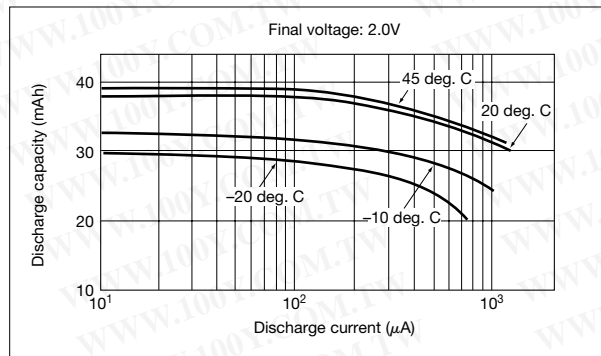
● Temperature Characteristics



● Pulse Discharge Characteristics



● Relationship between Discharge Current and Discharge Capacity



* Nominal capacity indicates duration until the voltage drops down to 2.0V when discharged at a nominal discharge current at 20 deg. C.

** When using these batteries at temperatures outside the range of 0 to +40 deg. C, please consult Maxell in advance for conditions of use.

***Dimensions and weight are for the battery itself, but may vary depending on the shape of terminals or other factors.

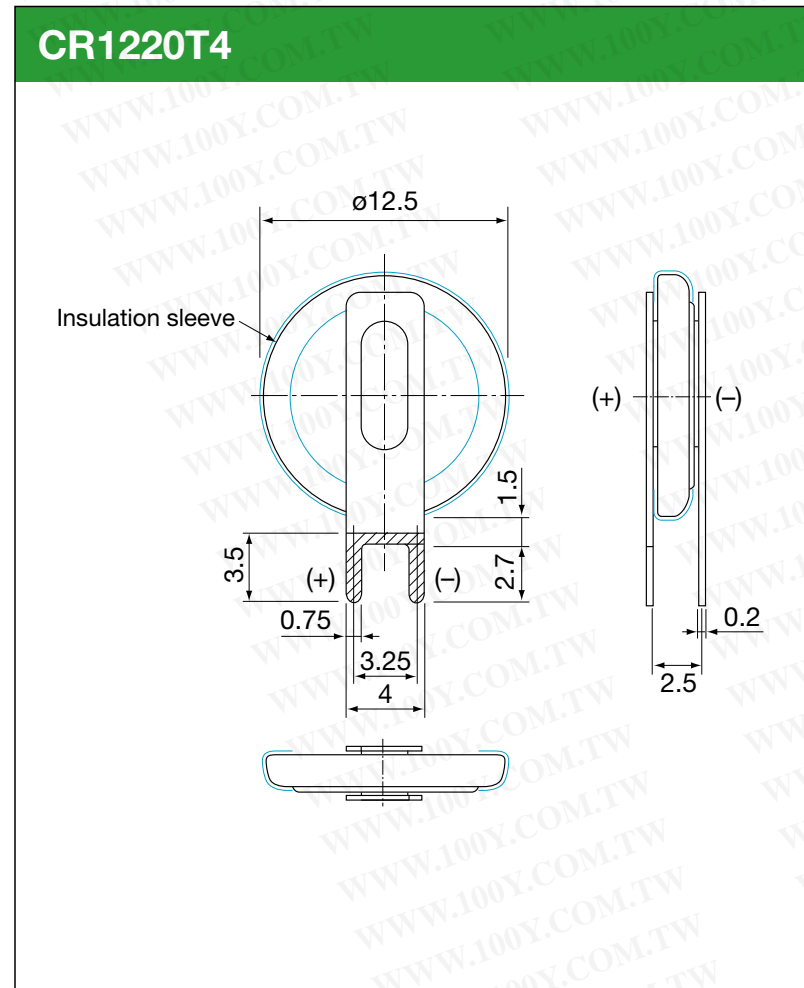
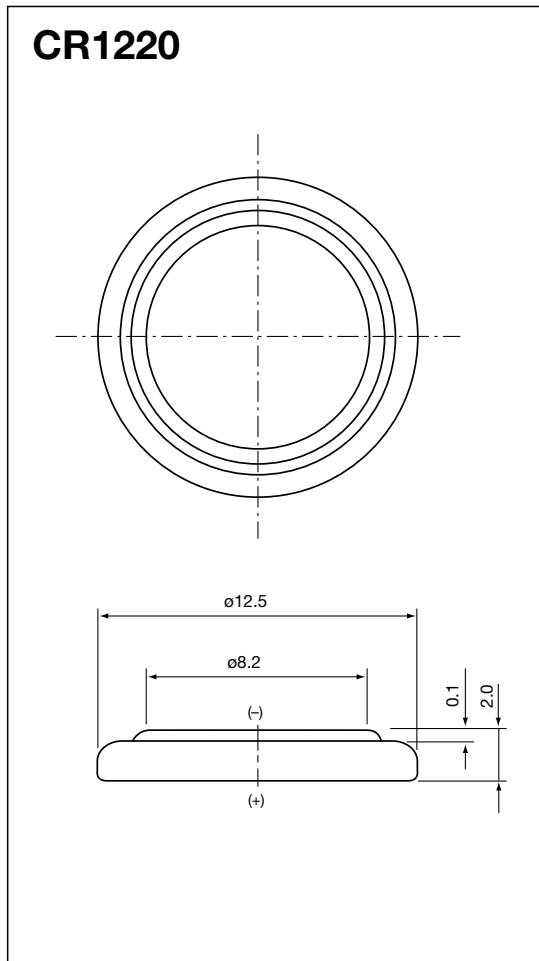


CR1220 (36mAh)

Diagrams of Batteries with Terminals

Vertical & Through hole Type

● External Dimensions (unit: mm)



勝特力材料 886-3-5753170
 勝特力电子(上海) 86-21-34970699
 勝特力电子(深圳) 86-755-83298787
[Http://www.100y.com.tw](http://www.100y.com.tw)