

# 3M™ Round, Jacketed, Flat Cable

.050" 28 AWG Stranded, Mass-Term, PVC/PVC

3759 Series



- Round construction permits easier routing
- 28 AWG wire on .050 inch centers permits mass termination to broad line of IDC connectors
- Continuous bond and continuous split/bond allows for mass termination of IDC connectors
- Available in continuous bond (non-split) wire for ease of cable fabrication
- Meets external wiring requirements of National Electrical Code, Article 725 (CL2)
- Primary cable is zippable for branching or discrete terminations
- UL listed for USA and Canadian markets
- RoHS Compliant. See the Regulatory Information Appendix (RIA) in the "RoHS compliance" section of [www.3Mconnectors.com](http://www.3Mconnectors.com) for compliance information (RIA E1 & C1 apply)

Date Modified: June 1, 2012

TS-0070-D  
Sheet 1 of 2

## Physical

**Jacket Material:** Polyvinyl Chloride (PVC); **Color:** Black

**Primary Material:** PVC; **Color:** Gray

**Marking Standard:** (UL) CL2 75C 28 AWG or AWM 20267 3M NU C **UL** WM II A/B 80C 300V FT1 EU <50V

**Conductors:** 28 AWG, 7 x 36 AWG [ 7 x  $\phi$  0.217 ] Tinned Stranded Copper

**Inner Wrap:** Polyester Film

## Electrical

**Voltage Rating:** USA: N.E.C. 725, CL2 or AWM; 300V      Canada: 300V      EU: <50V

**Insulation Resistance:** (Primary Cable)  $>1 \times 10^{10} \Omega / 10 \text{ ft}$  [ 3 m ]

**Characteristic Impedance:** **Unbalanced**      **Balanced**  
90  $\Omega$       133  $\Omega$

**Capacitance:** 16.7 pF/ft [ 54.8 pF/m ]      11.9 pF/ft [ 39.0 pF/m ]

**Inductance:** 0.13  $\mu\text{H}/\text{ft}$  [ 0.44  $\mu\text{H}/\text{m}$  ]      0.21  $\mu\text{H}/\text{ft}$  [ 0.69  $\mu\text{H}/\text{m}$  ]

**Propagation Delay:** 1.50 ns/ft [ 4.92 ns/m ]      1.58 ns/ft [ 5.18 ns/m ]

**Velocity of Propagation:** 68%      64%

Note: Unbalanced is measured between ground-signal-ground conductors. Balanced is measured between conductors within a pair.

## Environmental

**Temperature Rating:** USA: CL2; 75°C or AWM; -20°C to + 80°C      Canada: 80°C

**Flammability Rating:** USA: N.E.C. 725, CL2      Canada: FT1

UL File No.: E118773, Power Limited Circuit Cable: CL2 (or AWM Style 20267)

勝特力材料 886-3-5753170  
勝特力电子(上海) 86-21-34970699  
勝特力电子(深圳) 86-755-83298787  
[Http://www.100y.com.tw](http://www.100y.com.tw)

**3M**

Electronic Solutions Division  
Interconnect Solutions  
<http://www.3Mconnectors.com>

3M is a trademark of 3M Company.  
For technical, sales or ordering information call  
**800-225-5373**

# 3M™ Round, Jacketed, Flat Cable

.050" 28 AWG Stranded, Mass-Term, PVC/PVC

3759 Series



Inch  
[Imm]

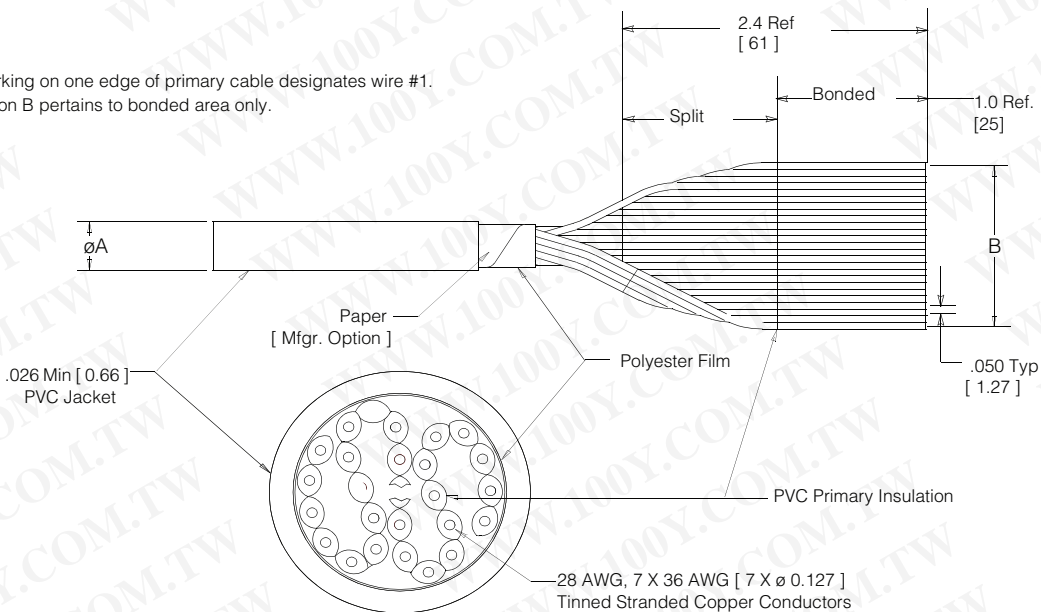
Tolerance Unless Noted			
Inch	.0	.00	.000
	±.1	±.05	±.010

[ ] Dimensions for Reference Only

Number of Conductors	3M Part Number	Diameter A ± .03	Dimension B (See Note 2)
09	3759/09	0.26 [ 6.6 ]	0.40 [ 10.2 ]
10	3759/10	0.26 [ 6.6 ]	0.45 [ 11.4 ]
14	3759/14	0.27 [ 6.9 ]	0.65 [ 16.5 ]
15	3759/15	0.27 [ 6.9 ]	0.70 [ 17.8 ]
16	3759/16	0.27 [ 6.9 ]	0.75 [ 19.1 ]
20	3759/20	0.30 [ 7.6 ]	0.95 [ 24.1 ]
24	3759/24	0.33 [ 8.4 ]	1.15 [ 29.2 ]
25	3759/25	0.33 [ 8.4 ]	1.20 [ 30.5 ]
26	3759/26	0.33 [ 8.4 ]	1.25 [ 31.8 ]
30	3759/30	0.37 [ 9.4 ]	1.45 [ 36.8 ]
34	3759/34	0.37 [ 9.4 ]	1.65 [ 41.9 ]
36	3759/36	0.39 [ 9.9 ]	1.75 [ 44.5 ]
37	3759/37	0.39 [ 9.9 ]	1.80 [ 45.7 ]
40	3759/40	0.39 [ 9.9 ]	1.95 [ 49.5 ]
50	3759/50	0.44 [ 11.2 ]	2.45 [ 62.2 ]
60	3759/60	0.47 [ 11.9 ]	2.95 [ 74.9 ]
64	3759/64	0.50 [ 12.7 ]	3.15 [ 80.0 ]

**Notes:**

1. Red marking on one edge of primary cable designates wire #1.
2. Dimension B pertains to bonded area only.



## Ordering Information

**3759/XX XX XX**

Number of Conductors  
(See Table)

Blank = Standard  
SF = Splice Free

Blank = Continuous Split/Bonded Wire (Standard)  
SO = Continuously Bonded Wire (No Split)

Note: Available in common lengths of 100 ft/roll or 300 ft/roll ( 30 m/roll or 91 m/roll), please specify when ordering.

TS-0070-D  
Sheet 2 of 2



**Electronic Solutions Division**  
**Interconnect Solutions**  
<http://www.3Mconnectors.com>

3M is a trademark of 3M Company.  
For technical, sales or ordering information call  
**800-225-5373**

#### **Important Notice**

All statements, technical information, and recommendations related to 3M's products are based on information believed to be reliable, but the accuracy or completeness is not guaranteed. Before using this product, you must evaluate it and determine if it is suitable for your intended application. You assume all risks and liability associated with such use. Any statements related to the product which are not contained in 3M's current publications, or any contrary statements contained on your purchase order shall have no force or effect unless expressly agreed upon, in writing, by an authorized officer of 3M.

#### **Warranty; Limited Remedy; Limited Liability.**

This product will be free from defects in material and manufacture for a period of one (1) year from the time of purchase. **3M MAKES NO OTHER WARRANTIES INCLUDING, BUT NOT LIMITED TO, ANY IMPLIED WARRANTY OF MERCHANTABILITY OR FITNESS FOR A PARTICULAR PURPOSE.** If this product is defective within the warranty period stated above, your exclusive remedy shall be, at 3M's option, to replace or repair the 3M product or refund the purchase price of the 3M product. **Except where prohibited by law, 3M will not be liable for any indirect, special, incidental or consequential loss or damage arising from this 3M product, regardless of the legal theory asserted.**



#### **3M Electronics Solutions Division**

6801 River Place Blvd.  
Austin, TX 78726-9000  
U.S.A.  
1-800-225-5373  
[www.3Mconnectors.com](http://www.3Mconnectors.com)

3M is a trademark of 3M Company.

Please recycle. Printed in USA.  
© 3M 2012. All rights reserved.  
RIA-2217B-E