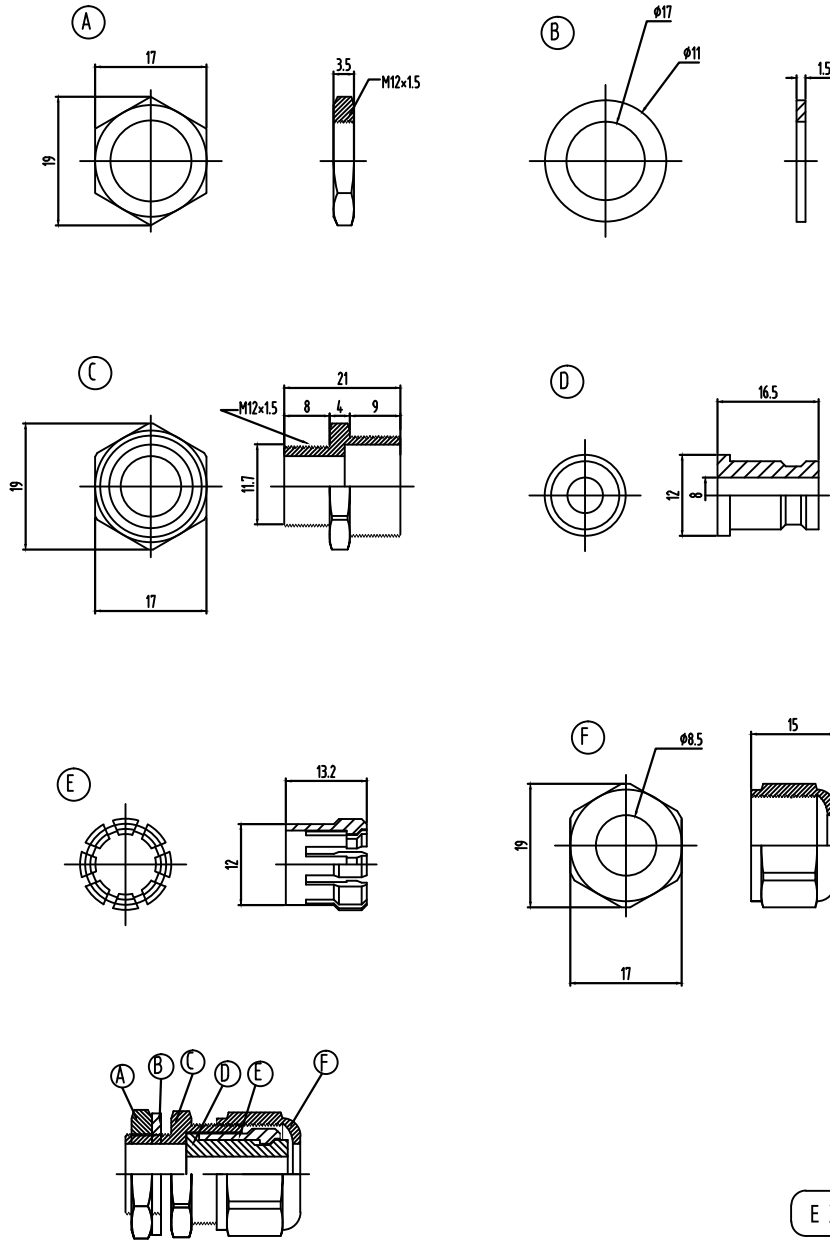


勝特力材料 886-3-5773766
 勝特力电子(上海) 86-21-34970699
 勝特力电子(深圳) 86-755-83298787
 Http://www.100y.com.tw



E X SGS
 C E IP 68

TOLERANCE: 6 ↓ ±0.2 6 ~ ±0.3 9 18 ±0.4 18 30 ±0.5 30 50 ±0.6 50 80 ±0.8	MATERIAL:	DATE: 2017.07.12	PART NO: CMA12-08	
	A, C, F: Brass whit nickel plated B, D: EPDM E: PA66	DESIGN: Wang Ming	PRODUCT: BRASS CABLE GLANDS	
		APPROVE: li xiang	<u>上海盛央电子科技有限公司</u>	
	UNIT: mm	SCALE: 1:1	Shanghai Shengyang Electronic Technolgy Co.,Ltd	