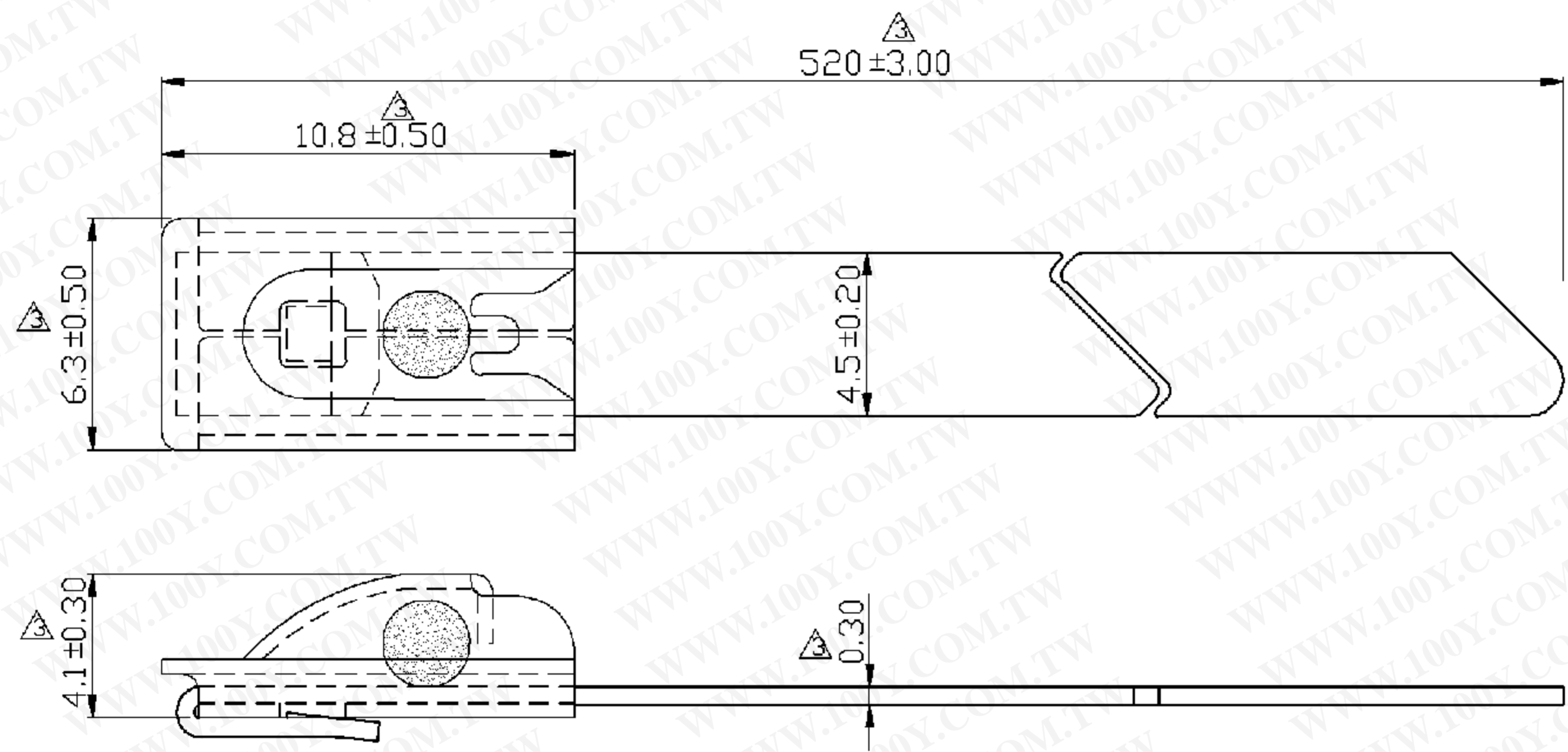


勝特力材料 886-3-5753170  
 勝特力电子(上海) 86-21-54151736  
 勝特力电子(深圳) 86-755-83298787  
[Http://www.100y.com.tw](http://www.100y.com.tw)



Tolerance Unless		Otherwise Specified	
0 > 6 mm	± 0.20	ANGLE	
6 > 18 mm	± 0.30	0°	° REF ±
18 > 30 mm	± 0.40	°	° ±
30 > 75 mm	± 0.50	°	° ±

- NOTE:
1. TEMPERATURE RESISTANCE : -112°F ( -80°C ) TO 1000°F ( 538°C )
  2. RESISTANCE AGAINST CHEMICALS : ACID AND ALKALI RESISTANT
  3. MATERIAL:316 STAINLESS STEEL
  4. MIN LOOP TENSILE : 45.4 Kg (100 lbs)
  5. MAX BUNDLE DIA : 145 mm (5.7 inch)

NAME	STAINLESS STEEL TIES (WITH BALL LOCK)			
PART NO.	STB-520S	MATERIAL	SUS316	
NUMBER	KA-951621-C	SCALE	SHEET	PAGE
DATE	2006/10/25	4/1	1-3	10F1

