

ALP/T 20/22 Series 85°C

RoHS
Compliant

- Solder tag (ALT) and DIN standard solder pin (ALP)
- Long Life 26000 hours at 85 °C (Ur, Ir applied)
- ALC snap-in should be considered for new designs

勝特力材料 886-3-5753170
 勝特力电子(上海) 86-21-34970699
 勝特力电子(深圳) 86-755-83298787
[Http://www.100y.com.tw](http://www.100y.com.tw)

APPLICATION

It should be pointed out that the ALP, solder pin, ranges are an older design and as such should not be considered for any new applications. Details are incorporated here, primarily, for maintenance/replacement purposes.

BASIC DESIGN

The ALP/T20 features low ESR, high ripple current ratings and outstandingly good high frequency impedance.

The ALP/T22 has the same features as the ALP/T20 series but with a very high CV per unit volume.

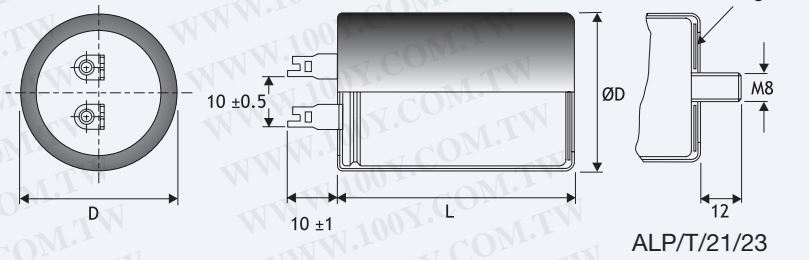
SPECIFICATION

Standards	IEC 60384-4, DIN 41238, BS CECC 30301-033 (ALP/T20 only)	
Capacitance range	22 – 150000 μ F	
Capacitance tolerance	-10 to +30% -20 to +20%	ALP/T 20 (except 200V \pm 20%) ALP/T 22
Rated voltage U_R	40 - 450 VDC	
Surge voltage U_S	1.15 x U_R (for $U_R \leq 250$ VDC) 1.10 x U_R (for $U_R \geq 350$ VDC)	Test Condition: ≤ 30 s surge, 1000 cycles @ 85°C
Leakage current I_L	= 0.006 x C_R x U_R (μ A) or 6mA whichever is the smaller. Note, C_R is in μ F.	Test Condition: U_R , 5mins., 20°C
Operational life time +85°C, U_R, I_R	Can Diameter 25 12000 hrs 30 15000 hrs 35 18000 hrs 40 26000 hrs	End of Life requirement: $\Delta C/C \leq \pm 10\%$ ESR $\leq 2 \times$ initial ESR value $I_L \leq$ initial specified limit
Shelf Life	2000 hrs at 0V +85°C, or 30000 hrs at 0V +40°C	
Temperature range	-40 to +85°C (Operating) -55°C to +105°C (Storage)	

SPECIFICATION

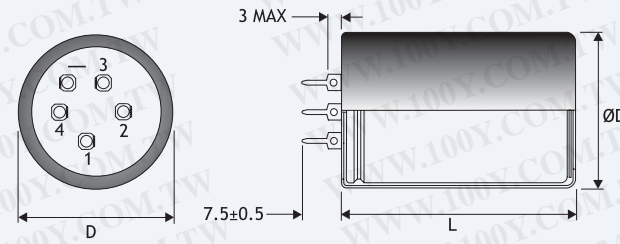
ALT Tag style

Designed for flying lead connection.

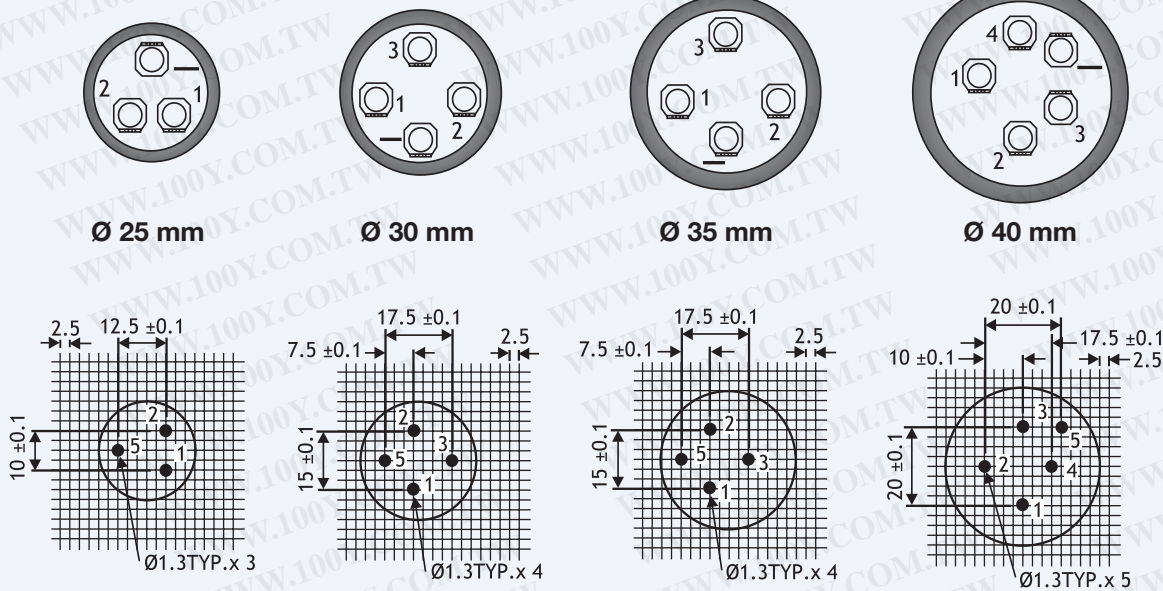


ALP Pin style

Designed for PCB mounting to DIN 41238.



ALP Pin and mounting configurations



Printed circuit board hole positions, viewed from component side.

Connections: Hole 1 represents +ve, Hole 5 represents -ve. Terminals 2,3 and 4 may be at negative terminal potential due to the presence of electrolyte. They are intended for mechanical connections only. It is recommended that they are soldered to the printed circuit board. Additional dummy pins are provided for stability. Note that the case and dummy pins may be at negative terminal potential.

Dimensions (sleeved) mm

Case Code	D ±1	L ±2	Mounting Clip for Alt Style	Weight grams nom.
AA	25	35	V2/H1	30
AB	25	45	V2/H1	39
BB	30	45	-	50
CB	35	45	V3/H2	65
CD	35	55	V3/H2	75
DB	40	45	V9	80
DD	40	55	V9	95
DE	40	75	V9	125
DF	40	105	V9	170

Can size (mm) / rating data - ALP/T20 series

Cap μF	Rated Voltage U _R							
	40	63	100	200	250	400	450	
22								25x35
33								25x35
47							25x35	25x35
68							25x45	25x45
100					25x35		30x45	30x45
150				25x35	25x45		35x45	35x55
220				25x45	30x45		35x55 / 40x45	40x55
330				30x45	35x45		40x55	40x75
470			25x35	35x45	35x55 / 40x45		40x75	40x105
680			25x45	35x55 / 40x45	40x55		40x105	
1000		25x35	30x45	40x55	40x75			
1500	25x35	25x45	35x45	40x75	40x105			
2200	25x45	30x45	35x55 / 40x45	40x105				
3300	30x45	35x45	40x55					
4700	35x45	35x55 / 40x45	40x75					
6800	35x55 / 40x45	40x55	40x105					
10000	40x55	40x75						
15000	40x75	40x105						
22000	40x105							

Can size (mm) / rating data - ALP/T22 series

Cap μF	Rated Voltage U _R							
	40	63	100	200	250	385	450	
47								25x35
68							25x35	25x45
100					25x35		25x45	30x45
150				25x35	25x45		30x45	35x45
220				25x45	30x45		35x45	35x55 / 40x45
330				30x45	35x45		35x55 / 40x45	40x55
470				35x45	35x55 / 40x45		40x55	40x75
680			25x35	35x55 / 40x45	40x55		40x75	40x105
1000			25x45	40x55	40x75		40x105	
1500			30x45	40x75	40x105			
2200		25x35	35x45	40x105				
3300	25x35	25x45	35x55 / 40x45					
4700	25x45	30x45	40x55					
6800	30x45	35x45	40x75					
10000	35x45	35x55 / 40x55	40x105					
15000	35x55 / 40x45	40x75						
22000	40x55	40x105						
33000	40x75							
47000	40x105							

勝特力材料 886-3-5753170
 勝特力电子(上海) 86-21-34970699
 勝特力电子(深圳) 86-755-83298787
[Http://www.100y.com.tw](http://www.100y.com.tw)