

FEATURES

- Able to be used at wide temperature from -25°C to 70°C
- Long life Endurance : 1,000 hours at +70°C
- RoHS directive compliant / No Explosion Safety

APPLICATIONS

- Memory back-up for Video, Audio, Cameras, CCTV, Printer, Camcorder, Telephones, Car stereo, E-meter, Toy, Computer, Notebook PC, Rice cooker, Home network etc.

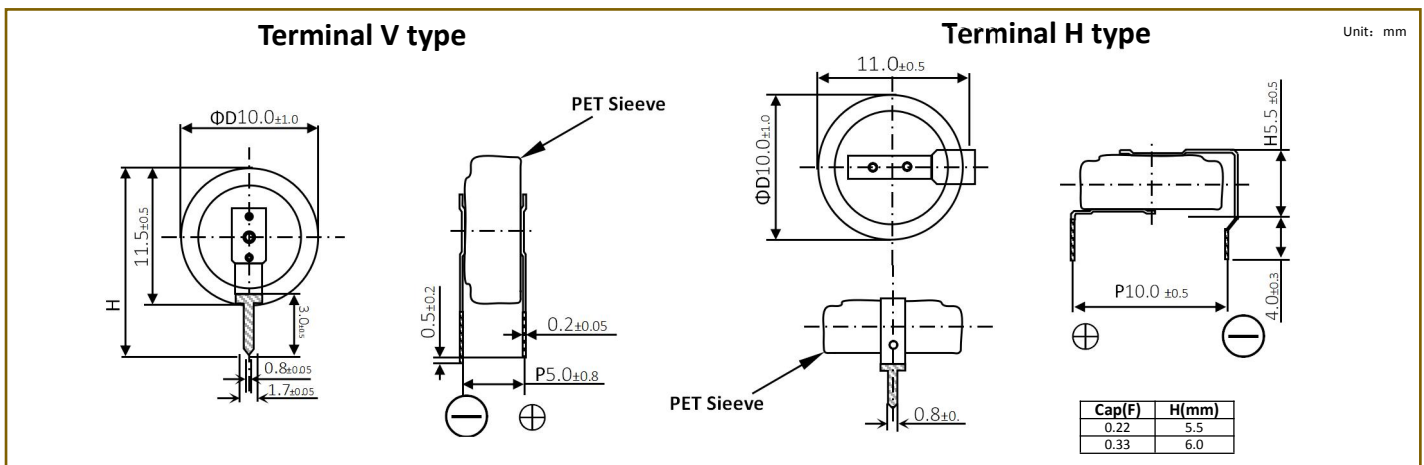


PART NUMBER SYSTEM

| | | | | | |
|------------|---------------|-------------|----------|----------|--------------|
| CBS | 5R5 | 224 | H | F | * |
| Series | Rated Voltage | Capacitance | Type | RoHS | Special Code |

GENERAL SPECIFICATIONS / DIMENSIONS

| Item | Performance | | |
|---|--|------|------|
| Storage temperature | -25°C to +70°C | | |
| Capacitance range | 0.22F to 0.33F | | |
| Capacitance tolerance | - 20% to + 80% (at 25°C) | | |
| Rated voltage | 5.5 VDC | | |
| Nominal capacitance & Resistance | Nominal capacitance (F) | 0.22 | 0.33 |
| | Nominal resistance (Ω) | 75 | 75 |
| Temperature characteristics | Capacitance change: Within ±30% of initial measured value at +25°C(-25 to +70°C) Internal resistance: Within ±500% of initial measured value at +25°C(at -25°C) | | |
| Endurance (At rated voltage & max. operating temp) | After 1000 hours: Capacitance change: ±30% of initial rated value Internal resistance: Within 4 times of initial specified value | | |
| Shelf life | After 2 years at 25°C without load, the capacitor shall meet the specified endurance limits. | | |



STANDARD PRODUCTS

| Part Number | Working Voltage (V DC) | Rated Cap. (F) | Internal resistance (Ω) at 1 kHz | V type(mm) | | | H type(mm) | | |
|-----------------|------------------------|----------------|----------------------------------|------------|------|-----|------------|-----|------|
| | | | | ΦD | H | P | ΦD | H | P |
| CBS 5R5 224 () | 5.5 | 0.22 | ≤75 | 10 | 14.0 | 5.0 | 10 | 5.5 | 10.0 |
| CBS 5R5 334 () | 5.5 | 0.33 | ≤75 | 10 | 14.0 | 5.0 | 10 | 6.0 | 10.0 |