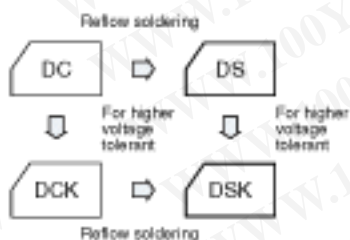


Coin Cell Capacitors Series DS,DSK

- Reflow soldering method available.
- Unlike batteries, the number of charging/ discharging cycles unlimited and rapid charging/ discharging is possible.
- High reliability, Safe and unlike secondary batteries, this is pollution free devices.

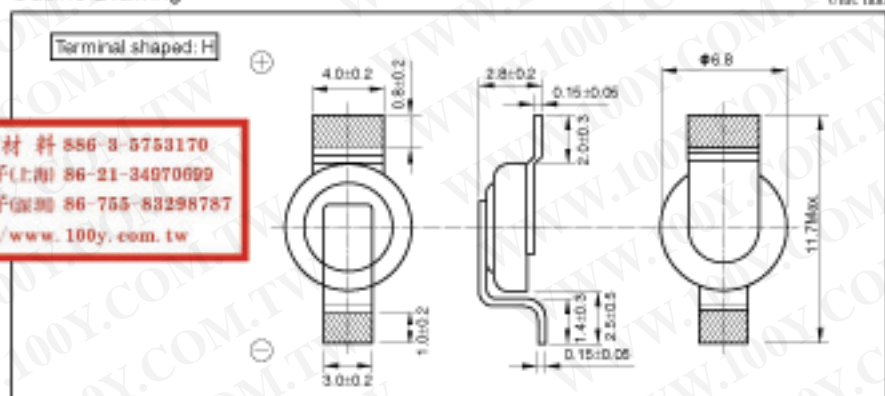


勝特力材料 886-8-5753170
 勝特力电子(上海) 86-21-34970699
 勝特力电子(深圳) 86-755-83298787
[Http://www.100y.com.tw](http://www.100y.com.tw)

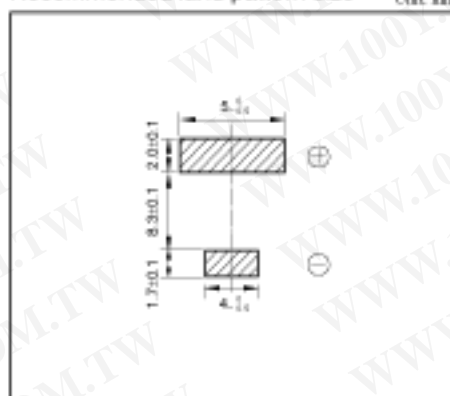
Specifications

Item	Performance			
Series Name	DS series		DSK series	
Rated voltage (V)	2.5		3.3	
Category temperature range (°C)	-25 to +70		-10 to +60	
Tolerance at rated capacitance (%)	-20 to +80		-20 to +80	
Rated Capacitance (F)	0.22		0.22	
Internal resistance(Ω) at 1 kHz	100		200	
Characteristics at high and low temperature	Percentage of capacitance change	Within ±20% of the value at 20°C	Percentage of capacitance change	Within ±20% of the value at 20°C
	Internal resistance	Less than five times of the value at 20°C	Internal resistance	Within five times the initial specified value
Endurance	Test temperature	30°C	Test temperature	60°C
	Test time	1000 hours	Test time	1000 hours
	Percentage of capacitance change	Within ±30% of the initial measured value	Percentage of capacitance change	Within ±30% of the initial measured value
	Internal resistance	Within four times of the initial specified value	Internal resistance	Within four times of the initial specified value
Shelf life	Test time :1000 hours ; Same as endurance.			

Outline Drawing



Recommended land pattern size



Part numbering system (example: 2.5V0.22F, terminal shaped: H)

Environment form	DS	—	2R5	H	224	U or T	—	HL
	Series code		Rated voltage symbol		Rated capacitance symbol			
Former item	DS	—	2R5	H	224	—	HL	
	Series code		Rated voltage symbol		Rated capacitance symbol			

Part numbering system (example: 3.3V0.22F, terminal shaped: H)

Environment form	DSK	—	3R3	H	224	U or T	—	HL
	Series code		Rated voltage symbol		Rated capacitance symbol			
Former item	DSK	—	3R3	H	224	—	HL	
	Series code		Rated voltage symbol		Rated capacitance symbol			

Standard Ratings

Max. operating voltage(V)	Rated capacitance(F)	ELNA Part No.	φ DsL(mm)
2.5	0.22	DS-2R5D224□-HL	6.8x2.1
3.3	0.22	DSK-3R3H224□-HL	6.8x2.1

* Reflow soldering condition : 135 page.

NOTE

Design, Specifications are subject to change without notice. Ask factory for technical specifications before purchase and/or use.