



# AC Capacitors for Motor Run Applications



## Proven EIA-456 Compliant

60,000 Hour Reliability Industry Standard

勝特力材料 886-3-5753170  
 勝特力电子(上海) 86-21-34970699  
 勝特力电子(深圳) 86-755-83298787  
[Http://www.100y.com.tw](http://www.100y.com.tw)



Genteq Capacitors  
 Phone: (260) 416-5400

1946 West Cook Road, Fort Wayne, Indiana 46818 USA  
 Fax: (260) 416-5460 Email: [capacitors@regalbeloit.com](mailto:capacitors@regalbeloit.com)  
[thecapacitorstoolbox.com](http://thecapacitorstoolbox.com)





# Capacitor Application Data Sheet

To ensure correct selection of a capacitor for your application, please provide the information indicated below. This sheet may be duplicated or additional copies may be obtained from RBC.

Send this data to your local RBC Sales Representative or directly to:

Of particular importance are the voltages and current waveforms complete with values of voltage and current over a complete cycle.

**Genteq Capacitors**  
1946 West Cook Road  
Fort Wayne, Indiana 46818 USA

**Phone:** (260) 416-5400  
**Fax:** (260) 416-5460  
**Email:** capacitors@regalbeloit.com

## PRIMARY INFORMATION (Essential)

1. Application: \_\_\_\_\_
2. Capacitance: \_\_\_\_\_ Tolerance: \_\_\_\_\_
3. Peak Voltage: \_\_\_\_\_ RMS Voltage: \_\_\_\_\_
4. Peak Current: \_\_\_\_\_ RMS Current: \_\_\_\_\_
5. Transient Voltage: \_\_\_\_\_ Duration: \_\_\_\_\_ Freq. Of Occurrence: \_\_\_\_\_
6. Frequency or Repetition Rate (Hz): \_\_\_\_\_ Duty Cycle: \_\_\_\_\_
7. Ambient Temperature: \_\_\_\_\_ Max.: \_\_\_\_\_ Min.: \_\_\_\_\_
8. Capacitor Charge Time: \_\_\_\_\_ Discharge Time: \_\_\_\_\_
9. Required Operating Life (Hours): \_\_\_\_\_
10. Waveforms:



## SECONDARY INFORMATION (Provide as Appropriate)

11. Physical Size Limitations: \_\_\_\_\_
12. Mounting Requirements: \_\_\_\_\_
13. Applicable Specifications: \_\_\_\_\_
14. Type of Cooling Available: \_\_\_\_\_
15. Unusual Atmospheric Conditions: \_\_\_\_\_
16. Other Special Requirements: \_\_\_\_\_
17. Number of Samples Required: \_\_\_\_\_ 18. Potential Usage: \_\_\_\_\_



Descriptive Information	02
Product Safety	03
Motor Run Capacitors – GEM III	
Product Specifications	05
Single Ratings – 1 Section	06
Dual Ratings – 2 Sections	08
Dual Ratings – 2 Concentric Sections	10
Application Data	12
Outline	15
Mounting Hardware	16
Capacitor Label	18
Other Catalogs	19



## Genteq Capacitors

# Capacitors for Motor Run Applications

Metallized film capacitors are unsurpassed in terms of size, weight, performance, and reliability for AC applications. Regal-Beloit brings over 60 year of capacitor manufacturing experience to the product lines described in this publication. These capacitors represent the best in product design for long-term reliability and safe operation. Regal-Beloit's materials, product, and process development work continue to provide capacitor users with outstanding total value.

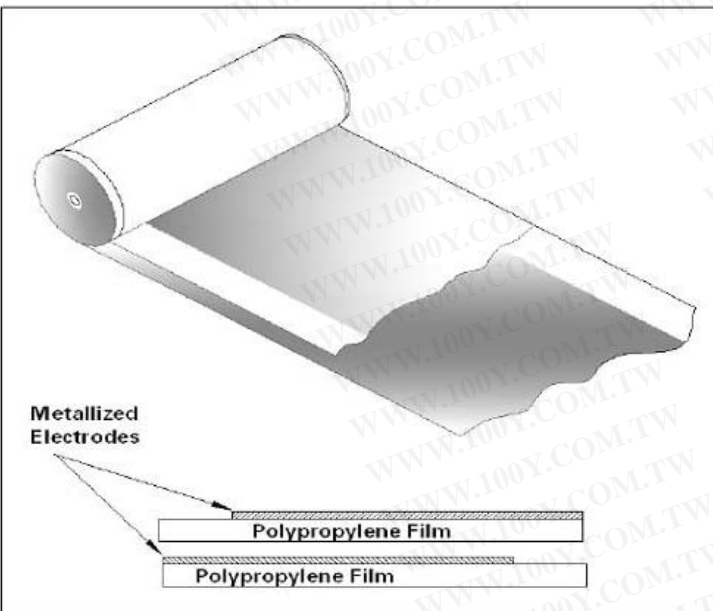
The GEM III Motor Run Capacitors are widely used with permanent split phase capacitor motors for the more efficient use of electricity. These motors are used in heating and cooling equipment, appliances, business machines, office equipment, and a wide variety of light commercial and industrial equipment.

## GEM III Construction

Regal-Beloit's GEM III capacitors are manufactured with high-grade metallized polypropylene film. This film is in the range of 5 to 10 microns thick, depending on the application, voltage, and conditions. The metallized electrode is several hundred angstroms thick.

The film is wound into capacitor rolls on high-speed, high-precision machines. The winding is extremely tight so that there is not enough space between the layers for corona (localized partial electrical discharges) to occur. The rolls are sprayed on both ends with metal to make the connection to the extremely thin edges of the metallized electrodes. This process is critical to the quality and performance of the capacitors.

The rolls are assembled in metal cases, Regal-Beloit's proprietary dielectric liquid is introduced under vacuum, and the capacitors are sealed. They are then subjected to 100% electrical testing for capacitance, dissipation factor, and high potential electrical withstand, both terminal-to-terminal and terminal-to-case.



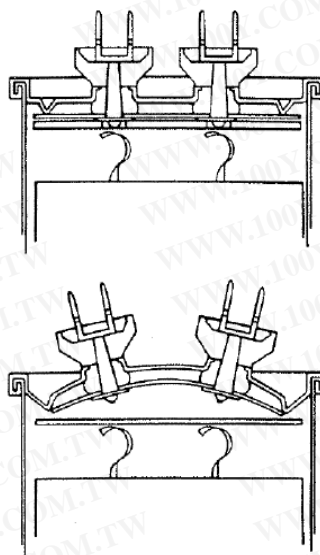
## Pressure Sensitive Interrupter

All the capacitors listed in this publication contain Regal-Beloit's Pressure Sensitive Interrupter (PSI). This device, developed by GE, is designed to sense the build-up of pressure within the capacitor if a fault occurs and to interrupt the internal electrical connections before the case can rupture.

The PSI carries U.L.\* recognition for applications where the specified fault currents are not exceeded. The fault current is the maximum current that is available from the circuit to flow through the capacitor if the capacitor were to become a short circuit with zero impedance. **It is the responsibility of the capacitor user to determine what the available fault current is for a particular application.**

In the Catalog Number listings a four character U.L. Code, Pxxx, is given. This number is part of the listing for Regal-Beloit in U.L. File No. E322597. When applying to U.L. for approvals or recognition of equipment using these capacitors refer to the Pxxx number and not the Catalog Number of the capacitor in question.

Proper operation of the PSI requires that the cover be able to expand without restriction. The following mounting considerations should be noted in mounting these capacitors.

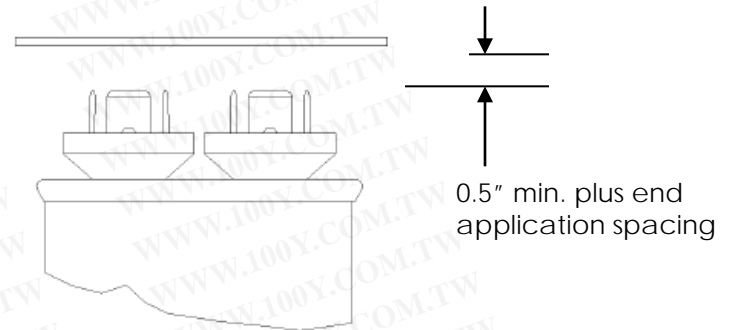


\*Underwriter's Laboratory

# Mounting Considerations

## Vertical Clearance

There must be sufficient clearance between the tops of the terminals (and/or the assembled wire connectors) and a plane perpendicular to the capacitor terminals. This clearance must be at least 0.5 inches plus the electrical spacing requirements of the end application.

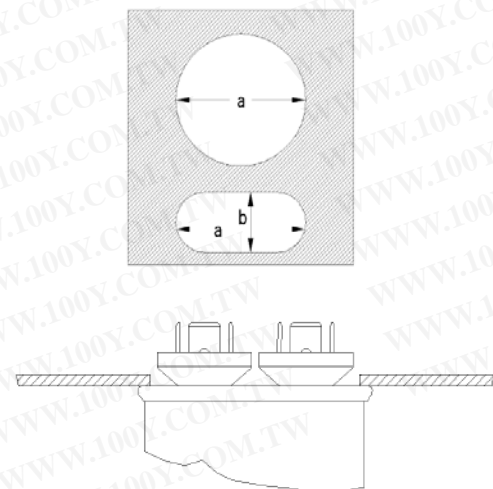


## Cut-Out Clearance

In certain instances, capacitors are mounted with the top of the capacitors case resting against the chassis and the terminals protruding through the chassis. Care must be taken to see that the cutout in the chassis is large enough. The following dimensions are recommended.

Case Style	a	b
A	2.00	1.00
B	2.25	1.25
C	2.50	1.62
D	3.25	1.62

Case Style	a
P	1.62
S	1.88
T	2.38





This capacitor series is **designed specifically for the motor run applications** where the capacitors are used in conjunction with permanent split capacitor type motors. They may be **used on either 50 or 60-Hertz systems** but should not be used at higher frequencies or in applications where higher frequency harmonics are present. For those types of applications the General Purpose AC Capacitors (Catalog #GEC 003) shown on the following pages should be used. If there are **any questions** regarding the correct application of these products, please **contact your RBC sales representative**.

### SPECIFICATIONS:

- Available Capacitance Range:** 2 to 120µF
- Capacitance Tolerance:** ±6%
- Capacitance Variation with Temperature:** See Chart M-3 on page 14.
- Rated Voltage:** See Rating Tables. Rating is the 50/60Hz RMS voltage for a sinusoidal waveform.
- Leakage Current:** 30µA maximum
- Frequency:** 50/60 Hz. For higher frequencies use General Purpose AC Capacitor Series.
- Operating Temperature:** -40°C to +70°C
- Storage Temperature:** -40°C to +90°C
- Operating Life:** 60,000 hours with 94% survival  
(In accordance with the EIA-456 Industry Standard)
- Dissipation Factor:** 0.1% maximum
- Case Material/Finish:** Unpainted Aluminum case, terne plate steel cover. Contact Regal-Beloit if material/finish to meet UL outdoor standards is required.
- Terminations:** ‘Combo’ terminal: 0.250” x 0.031” quick connect blades
- Dielectric Fluid:** Proprietary Genteq dielectric oil
- Internal Protection:** UL recognized Pressure Sensitive Interrupter. See Ratings Table for Regal-Beloit’s UL Code Number listed under Regal-Beloit’s UL File E322597. For UL submittals with these capacitors, use the RBC ‘Pxxx’ number not the Catalog Number. The corresponding generic UL designation that includes the Available Faults Current (AFC) rating is given below. All these capacitors are capable of interrupting available fault currents of up to 10,000 amperes.

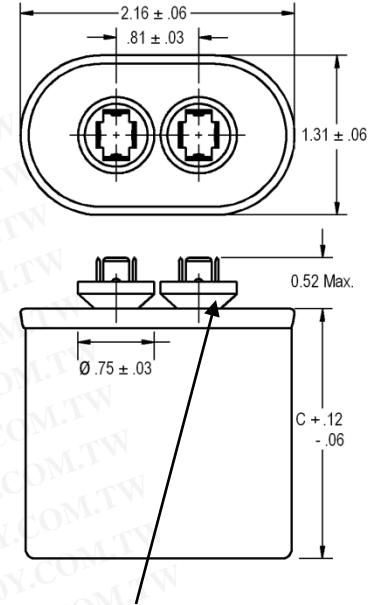
Case Style	RBC Code	Generic UL Code
A	P921	A10000AFC
C	P923	C10000AFC
D	P924	D10000AFC
P	P965	P10000AFC
S	P968	S10000AFC
T	P969	T10000AFC

# Motor Run Capacitors – GEM III

## Single Ratings – 1 Section

Voltage (VAC)	Capacitance (µF)	Catalog Number	Case Style	Base Size (in.)	Can Type	Height C (in.)	UL Code
<b>370</b>	3.0	27L987	A	1.25	Oval	1.56	P921
	4.0	27L571	A	1.25	Oval	1.56	P921
	5.0	27L570	A	1.25	Oval	1.56	P921
	6.0	97F5706	A	1.25	Oval	2.12	P921
	7.5	27L566	A	1.25	Oval	2.12	P921
	10.0	97F9002	A	1.25	Oval	2.88	P921
	12.5	27L572	A	1.25	Oval	2.88	P921
	15.0	27L567	A	1.25	Oval	2.88	P921
	20.0	97F9602	P	1.75	Round	2.88	P965
	25.0	97F9606	P	1.75	Round	2.88	P965
	30.0	97F9608	P	1.75	Round	3.88	P965
	35.0	97F9611	P	1.75	Round	3.88	P965
	40.0	97F9614	P	1.75	Round	3.88	P965
	45.0	97F9884	P	1.75	Round	4.75	P965
	50.0	97F9802	P	1.75	Round	4.75	P965
	55.0	97F9010	S	2.00	Round	4.75	P968
	60.0	97F5276	T	2.50	Round	3.88	P969
	65.0	97F9011	T	2.50	Round	3.88	P969
	70.0	97F9012	T	2.50	Round	4.75	P969
	75.0	27L361	T	2.50	Round	4.75	P969
80.0	27L497	T	2.50	Round	4.75	P969	

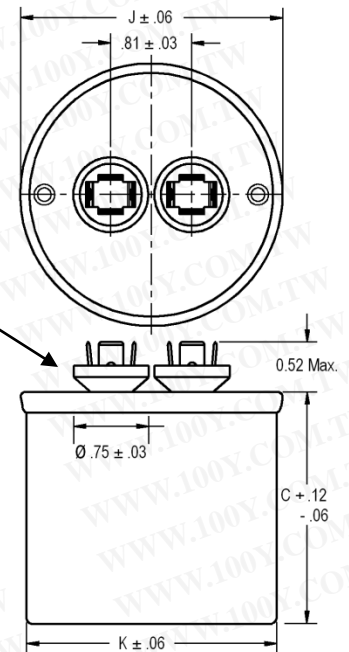
**Case Style A**



(4) .250 x .031 Blades per terminal

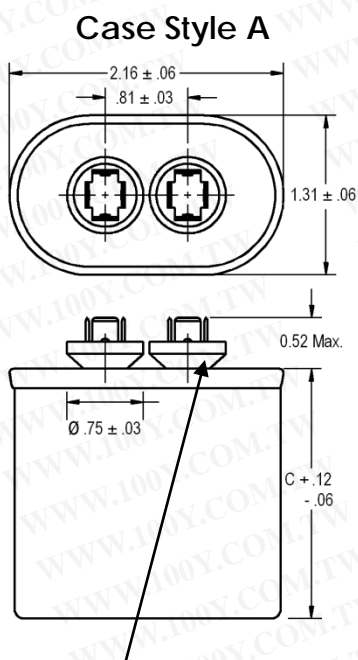
**Case Style P, S, and T**

(4) .250 x .031 Blades per terminal except (3) on case style P



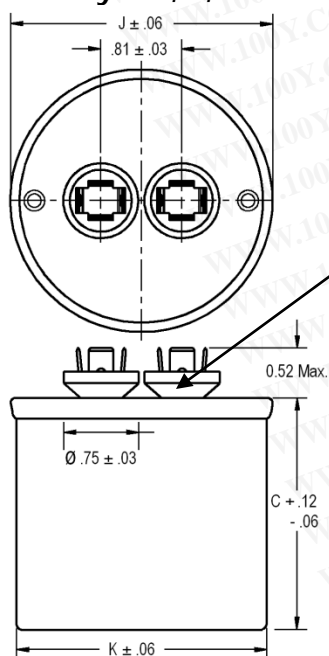
Case Style	K	J
P	1.75	1.88
S	2.00	2.12
T	2.50	2.62

\*It is **Regal-Beloit's** goal to serve you with the **most cost effective** and **highest quality capacitor** designs. Standardization to the catalog type shown is a major program at Regal-Beloit. However, Regal-Beloit remains sensitive to your needs and requirements, and **will continue to offer the above ratings (and more) in case configurations to meet your application(s).**



(4) .250 x .031  
Blades per terminal

### Case Style P, S, and T



(4) .250 x .031 Blades  
per terminal except (3)  
on case style P

Voltage (VAC)	Capacitance (µF)	Catalog Number	Case Style	Base Size (in.)	Can Type	Height C (in.)	UL Code
440	3.0	27L1022	A	1.25	Oval	1.56	P921
	4.0	27L1023	A	1.25	Oval	1.56	P921
	5.0	27L1024	A	1.25	Oval	2.12	P921
	6.0	27L1025	A	1.25	Oval	2.12	P921
	7.5	27L695	A	1.25	Oval	2.88	P921
	10.0	27L1027	A	1.25	Oval	2.88	P921
	12.5	97F9080	A	1.25	Oval	4.75	P921
	15.0	97F9625	A	1.25	Oval	4.75	P921
	20.0	97F9630	P	1.75	Round	3.88	P965
	25.0	97F9632	P	1.75	Round	3.88	P965
	30.0	97F9635	P	1.75	Round	3.88	P965
	35.0	97F9639	S	2.00	Round	3.88	P968
	40.0	97F9642	S	2.00	Round	3.88	P968
	45.0	97F9645	S	2.00	Round	4.75	P968
	50.0	97F5211	T	2.50	Round	3.88	P969
	55.0	97F9042	T	2.50	Round	4.75	P969
	60.0	97F9043	T	2.50	Round	4.75	P969
	65.0	97F5241	T	2.50	Round	4.75	P969
	70.0	97F5251	T	2.50	Round	4.75	P969
	75.0	27L349	T	2.50	Round	5.25	P969
80.0	27L322	T	2.50	Round	5.25	P969	

Case Style	K	J
P	1.75	1.88
S	2.00	2.12
T	2.50	2.62

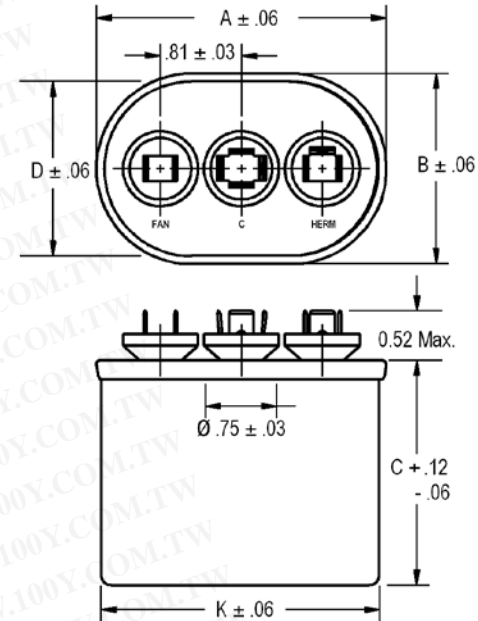
\*It is Regal-Beloit's goal to serve you with the most cost effective and highest quality capacitor designs. Standardization to the catalog type shown is a major program at Regal-Beloit. However, Regal-Beloit remains sensitive to your needs and requirements, and will continue to offer the above ratings (and more) in case configurations to meet your application(s).

# Motor Run Capacitors – GEM III

## Dual Ratings – 2 Sections

Voltage (VAC)	Capacitance		Catalog Number	Case Style	Base Size (in.)	Can Type	Height C (in.)	UL Code
	Herm (µF)	Fan (µF)						
370	10.0	10.0	27L956	C	1.75	Oval	2.12	P923
	15.0	5.0	97F9437	C	1.75	Oval	2.88	P923
	15.0	7.5	97F9526	C	1.75	Oval	2.88	P923
	15.0	10.0	97F9015	C	1.75	Oval	2.88	P923
	20.0	5.0	97F9673	C	1.75	Oval	2.88	P923
	20.0	7.5	97F9991	C	1.75	Oval	2.88	P923
	20.0	10.0	97F9018	C	1.75	Oval	3.88	P923
	25.0	5.0	97F9675	C	1.75	Oval	2.88	P923
	25.0	7.5	97F9677	C	1.75	Oval	2.88	P923
	25.0	10.0	97F9678	C	1.75	Oval	2.88	P923
	30.0	5.0	97F9681	C	1.75	Oval	3.88	P923
	30.0	7.5	97F9683	C	1.75	Oval	3.88	P923
	30.0	10.0	27L533	C	1.75	Oval	3.88	P923
	35.0	5.0	97F9796	C	1.75	Oval	3.88	P923
	35.0	7.5	97F9864	C	1.75	Oval	3.88	P923
	35.0	10.0	97F9888	C	1.75	Oval	3.88	P923
	40.0	5.0	97F9840	C	1.75	Oval	3.88	P923
	40.0	7.5	97F9845	C	1.75	Oval	3.88	P923
	40.0	10.0	97F9462	C	1.75	Oval	3.88	P923
	45.0	5.0	97F9859	C	1.75	Oval	3.88	P923
45.0	7.5	97F9841	C	1.75	Oval	3.88	P923	
45.0	10.0	97F9758	C	1.75	Oval	3.88	P923	
50.0	5.0	97F9885	C	1.75	Oval	4.75	P923	
50.0	7.5	97F9858	C	1.75	Oval	4.75	P923	
50.0	10.0	97F9030	D	2.00	Oval	4.75	P924	

Case Style C and D



Case Style	A	B	D	K
C	2.91	1.91	1.81	2.81
D	3.66	1.97	1.88	3.56

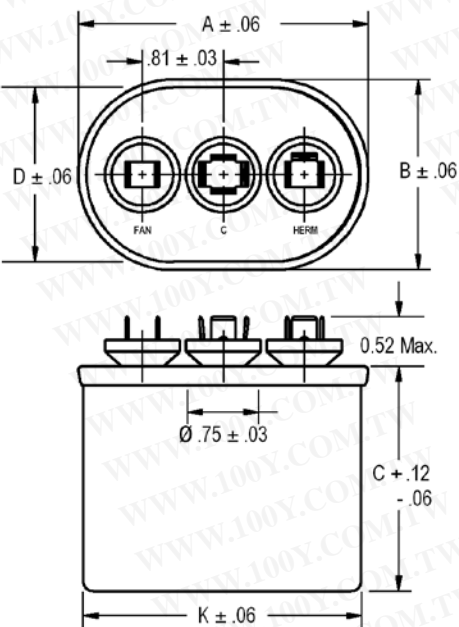
\*It is Regal-Beloit's goal to serve you with the most cost effective and highest quality capacitor designs. Standardization to the catalog type shown is a major program at Regal-Beloit. However, Regal-Beloit remains sensitive to your needs and requirements, and will continue to offer the above ratings (and more) in case configurations to meet your application(s).



# Motor Run Capacitors – GEM III

## Dual Ratings – 2 Sections

Case Style C and D



Voltage (VAC)	Capacitance		Catalog Number	Case Style	Base Size (in.)	Can Type	Height C (in.)	UL Code
	Herm (µF)	Fan (µF)						
440	15.0	5.0	97F9694	C	1.75	Oval	2.88	P923
	15.0	7.5	97F9992	C	1.75	Oval	2.88	P923
	15.0	10.0	97F9046	C	1.75	Oval	3.88	P923
	20.0	5.0	97F9695	C	1.75	Oval	2.88	P923
	20.0	7.5	97F9696	C	1.75	Oval	3.88	P923
	20.0	10.0	97F9048	C	1.75	Oval	3.88	P923
	25.0	5.0	97F9730	C	1.75	Oval	3.88	P923
	25.0	7.5	97F9993	C	1.75	Oval	3.88	P923
	25.0	10.0	97F9051	C	1.75	Oval	4.75	P923
	30.0	5.0	97F9994	C	1.75	Oval	3.88	P923
	30.0	7.5	97F9995	C	1.75	Oval	3.88	P923
	30.0	10.0	97F9054	C	1.75	Oval	4.75	P923
	35.0	5.0	97F9842	C	1.75	Oval	4.75	P923
	35.0	7.5	97F9892	C	1.75	Oval	4.75	P923
	35.0	10.0	97F9738	D	2.00	Oval	3.88	P924
	40.0	5.0	97F9843	C	1.75	Oval	4.75	P923
	40.0	7.5	97F9996	C	1.75	Oval	4.75	P923
	40.0	10.0	97F9780	D	2.00	Oval	4.75	P924
	45.0	5.0	97F9844	C	1.75	Oval	4.75	P923
	45.0	7.5	97F9760	D	2.00	Oval	4.75	P924
45.0	10.0	97F9477	C	1.75	Oval	4.75	P923	
50.0	5.0	97F5729	D	2.00	Oval	5.25	P924	
50.0	7.5	97F5781	D	2.00	Oval	5.25	P924	
50.0	10.0	97F9593	D	2.00	Oval	5.25	P924	

Case Style	A	B	D	K
C	2.91	1.91	1.81	2.81
D	3.66	1.97	1.88	3.56

\*It is Regal-Beloit's goal to serve you with the most cost effective and highest quality capacitor designs. Standardization to the catalog type shown is a major program at Regal-Beloit. However, Regal-Beloit remains sensitive to your needs and requirements, and will continue to offer the above ratings (and more) in case configurations to meet your application(s).

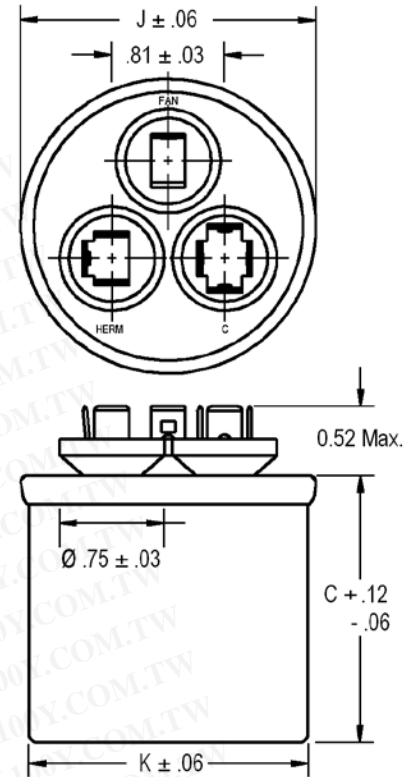


# Motor Run Capacitors – GEM III

## Dual Ratings – 2 Concentric Sections

Voltage (VAC)	Capacitance		Catalog Number	Case Style	Base Size (in.)	Can Type	Height C (in.)	UL Code
	Herm (µF)	Fan (µF)						
370	15.0	5.0	97F9810	S	2.00	Round	2.88	P968
	15.0	7.5	97F9811	S	2.00	Round	2.88	P968
	15.0	10.0	97F9965	S	2.00	Round	2.88	P968
	20.0	5.0	97F9814	S	2.00	Round	2.88	P968
	20.0	7.5	97F9966	S	2.00	Round	2.88	P968
	20.0	10.0	97F9967	S	2.00	Round	2.88	P968
	25.0	5.0	97F9803	S	2.00	Round	2.88	P968
	25.0	7.5	97F9826	S	2.00	Round	2.88	P968
	25.0	10.0	97F9827	S	2.00	Round	3.88	P968
	30.0	5.0	27L877	S	2.00	Round	2.88	P968
	30.0	7.5	97F9868	S	2.00	Round	3.88	P968
	30.0	10.0	97F9828	S	2.00	Round	3.88	P968
	35.0	5.0	97F9834	S	2.00	Round	3.88	P968
	35.0	7.5	97F9829	S	2.00	Round	3.88	P968
	35.0	10.0	97F9830	S	2.00	Round	3.88	P968
	40.0	5.0	97F9849	S	2.00	Round	3.88	P968
	40.0	7.5	97F9855	S	2.00	Round	3.88	P968
	40.0	10.0	97F9831	S	2.00	Round	3.88	P968
	45.0	5.0	27L880	S	2.00	Round	3.88	P968
	45.0	7.5	27L947	S	2.00	Round	3.88	P968
	45.0	10.0	97F9832	S	2.00	Round	4.75	P968
	50.0	5.0	97F9970	S	2.00	Round	4.75	P968
	50.0	7.5	97F9971	S	2.00	Round	4.75	P968
	50.0	10.0	97F9972	S	2.00	Round	4.75	P968
	55.0	5.0	97F9815	T	2.50	Round	3.88	P969
	55.0	7.5	97F9973	T	2.50	Round	3.88	P969
	55.0	10.0	97F9974	T	2.50	Round	3.88	P969
	60.0	5.0	27L954	T	2.50	Round	3.88	P969
	60.0	7.5	97F9817	T	2.50	Round	4.75	P969
	60.0	10.0	27L389	T	2.50	Round	4.75	P969
70.0	5.0	27L633	T	2.50	Round	4.75	P969	
70.0	7.5	27L556	T	2.50	Round	4.75	P969	
70.0	10.0	27L414	T	2.50	Round	4.75	P969	
80.0	5.0	27L651	T	2.50	Round	4.75	P969	
80.0	7.5	27L522	T	2.50	Round	4.75	P969	
80.0	10.0	25L261	T	2.50	Round	4.75	P969	

Case Style S and T



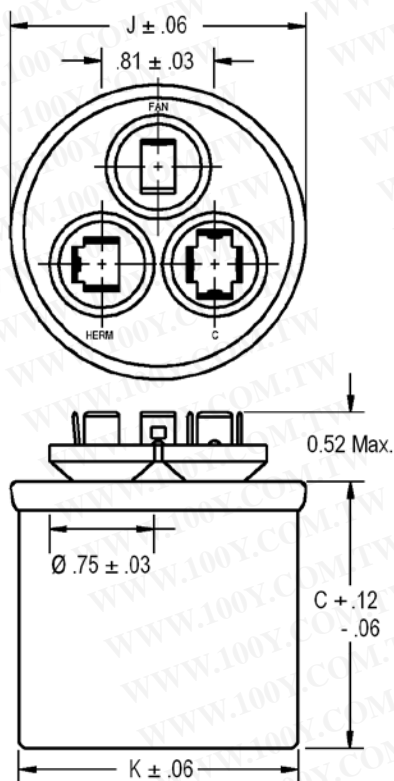
Case Style	K	J
S	2.00	2.12
T	2.50	2.62

\*It is Regal-Beloit's goal to serve you with the most cost effective and highest quality capacitor designs. Standardization to the catalog type shown is a major program at Regal-Beloit. However, Regal-Beloit remains sensitive to your needs and requirements, and will continue to offer the above ratings (and more) in case configurations to meet your application(s).

# Motor Run Capacitors – GEM III

## Dual Ratings – 2 Concentric Sections

Case Style S and T



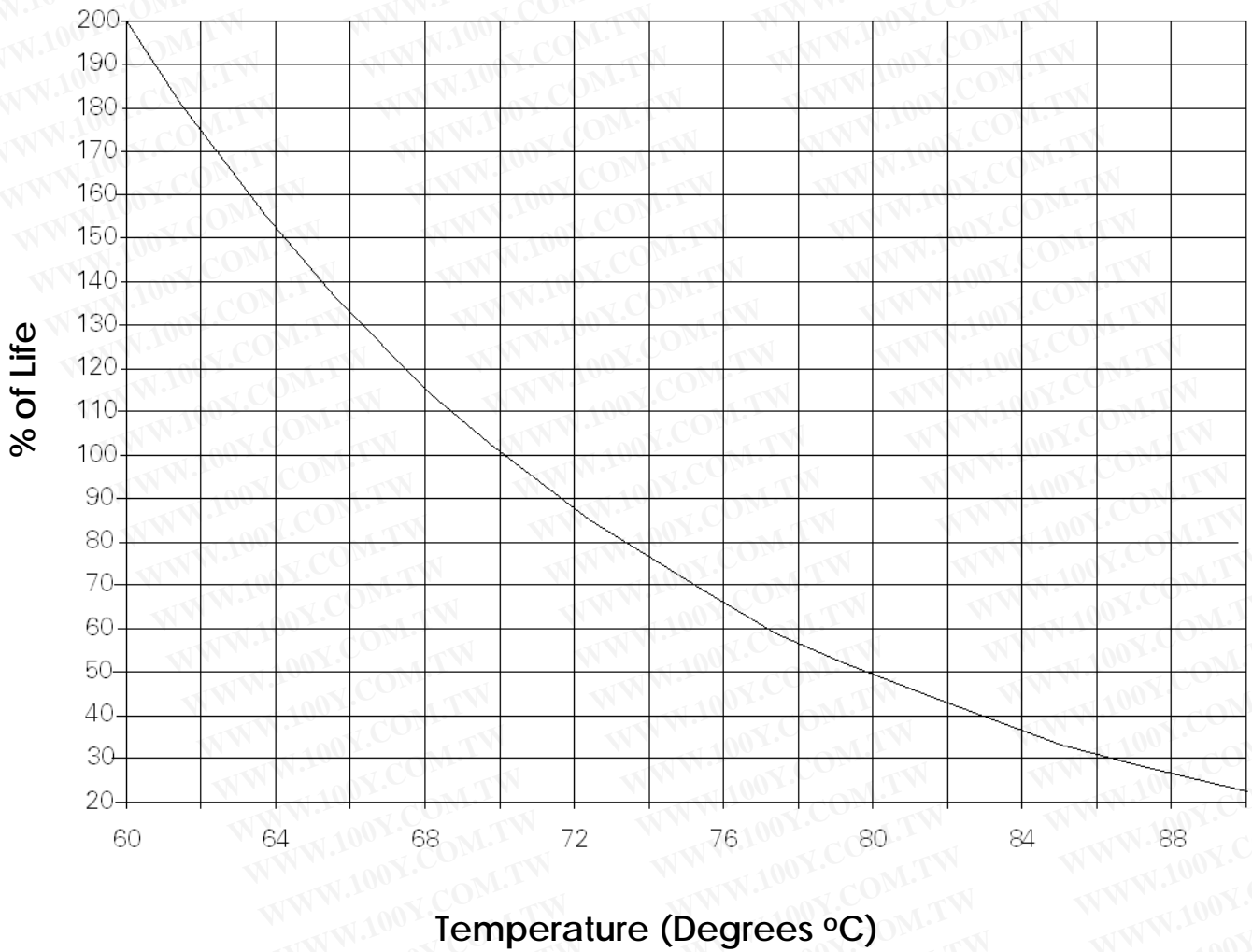
Case Style	K	J
S	2.00	2.12
T	2.50	2.62

Voltage (VAC)	Capacitance		Catalog Number	Case Style	Base Size (in.)	Can Type	Height C (in.)	UL Code
	Herm (µF)	Fan (µF)						
440	15.0	5.0	97F9997	S	2.00	Round	2.88	P968
	15.0	7.5	97F9998	S	2.00	Round	3.88	P968
	20.0	5.0	97F9975	S	2.00	Round	2.88	P968
	20.0	7.5	97F9976	S	2.00	Round	3.88	P968
	20.0	10.0	97F9451	T	2.50	Round	3.88	P969
	25.0	5.0	97F9978	S	2.00	Round	3.88	P968
	25.0	7.5	97F9979	S	2.00	Round	3.88	P968
	25.0	10.0	27L558	S	2.00	Round	3.88	P968
	30.0	5.0	97F9981	S	2.00	Round	3.88	P968
	30.0	7.5	97F9982	S	2.00	Round	3.88	P968
	30.0	10.0	97F9983	S	2.00	Round	3.88	P968
	35.0	5.0	97F9848	S	2.00	Round	4.75	P968
	35.0	7.5	97F9881	S	2.00	Round	4.75	P968
	35.0	10.0	27L204	T	2.50	Round	3.88	P969
	40.0	5.0	97F9838	S	2.00	Round	4.75	P968
	40.0	7.5	97F9882	S	2.00	Round	4.75	P968
	40.0	10.0	97F9985	S	2.00	Round	4.75	P968
	45.0	5.0	27L889	S	2.00	Round	4.75	P968
	45.0	7.5	97F9883	T	2.50	Round	3.88	P969
	45.0	10.0	27L378	T	2.50	Round	3.88	P969
	50.0	5.0	27L569	T	2.50	Round	4.25	P969
	50.0	7.5	97F9987	T	2.50	Round	4.75	P969
	50.0	10.0	27L647	T	2.50	Round	4.75	P969
	55.0	5.0	97F9839	T	2.50	Round	4.75	P969
	55.0	7.5	97F9874	T	2.50	Round	4.75	P969
	55.0	10.0	97F9989	T	2.50	Round	4.75	P969
	60.0	5.0	97F9897	T	2.50	Round	4.75	P969
	60.0	7.5	97F9898	T	2.50	Round	4.75	P969
	60.0	10.0	25L756	T	2.50	Round	4.75	P969
	70.0	10.0	27L866	T	2.50	Round	4.75	P969
	80.0	7.5	27L801	T	2.50	Round	4.75	P969

\*It is Regal-Beloit's goal to serve you with the most cost effective and highest quality capacitor designs. Standardization to the catalog type shown is a major program at Regal-Beloit. However, Regal-Beloit remains sensitive to your needs and requirements, and will continue to offer the above ratings (and more) in case configurations to meet your application(s).

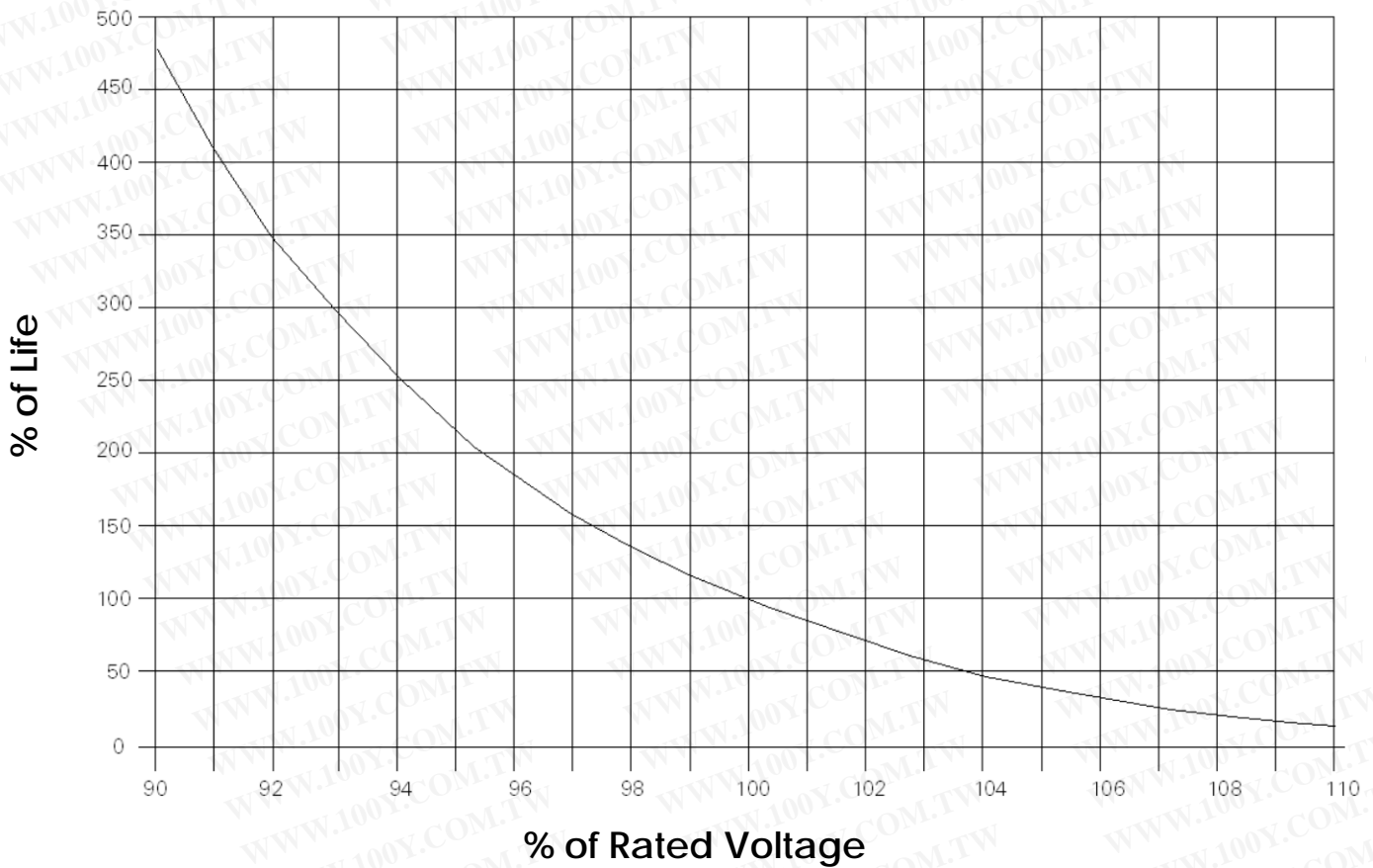
# LIFE vs TEMPERATURE

CHART M-1



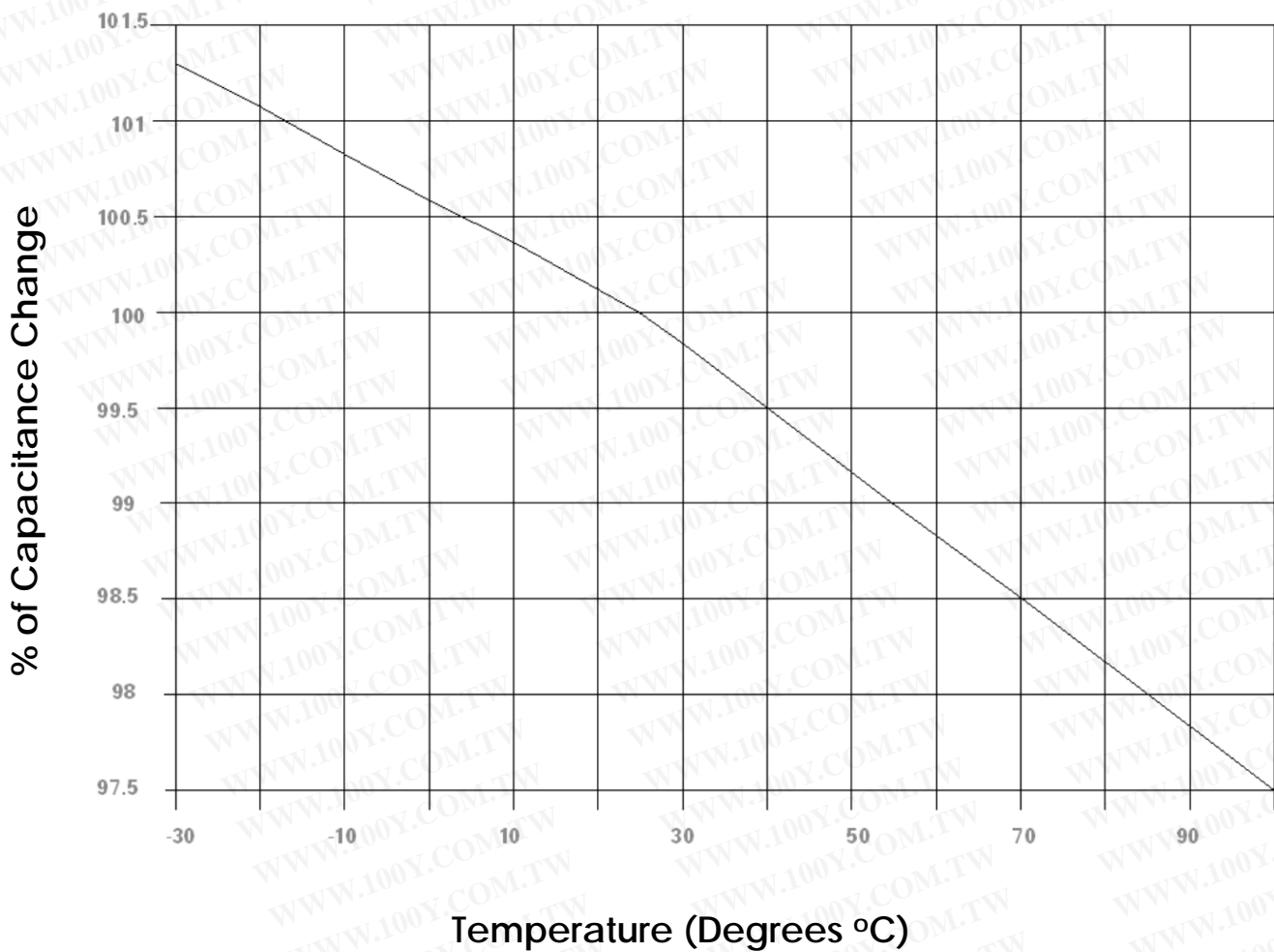
## LIFE vs VOLTAGE

### CHART M-2



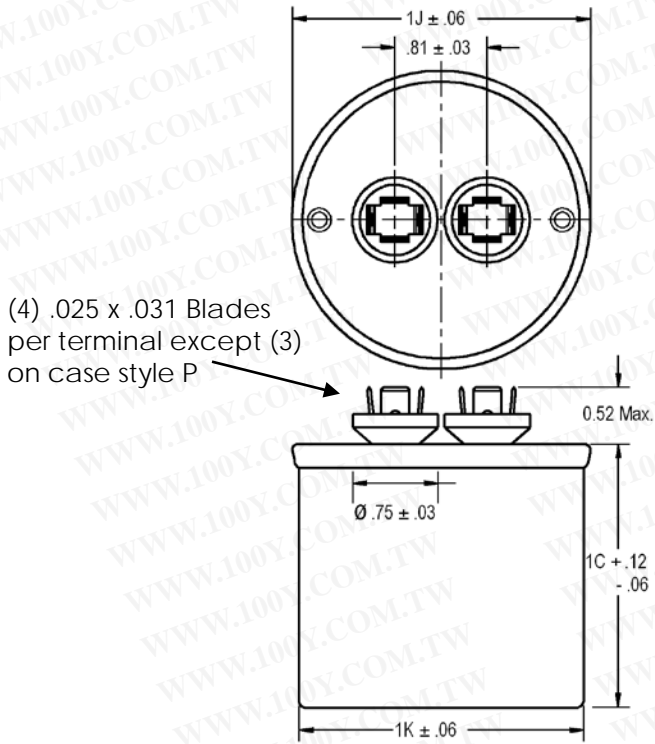
# % CAPACITANCE vs. TEMPERATURE

## CHART M-3

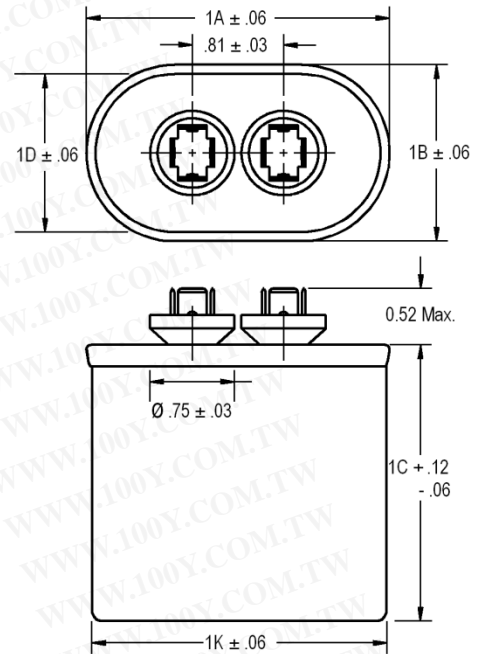




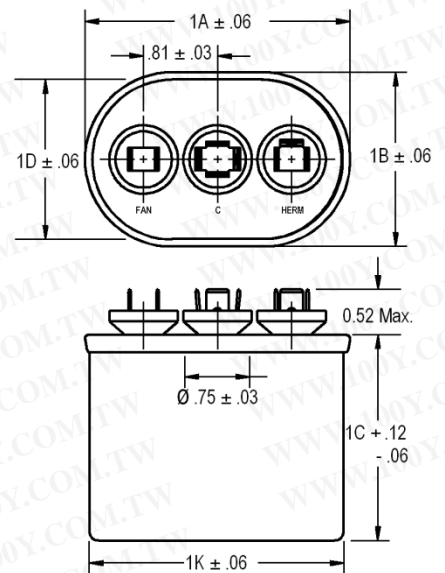
Round Case Style (P, S, T)



Oval Case Style (A, B, C, D)



Dual Oval Case Style (C and D)

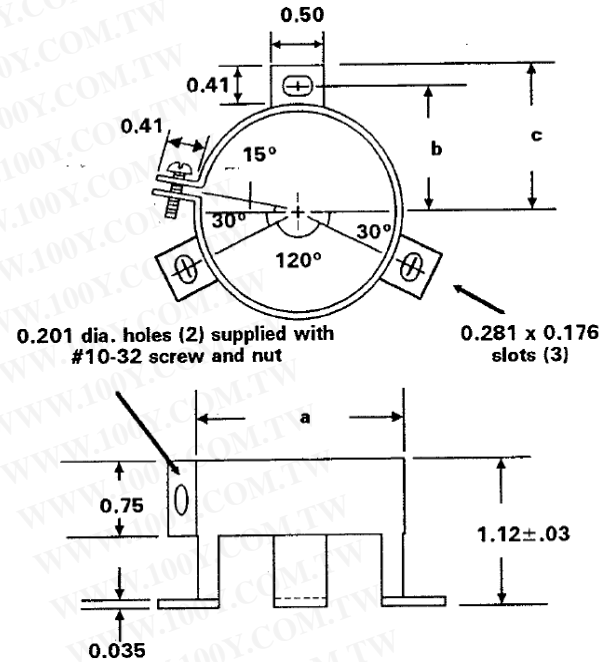


Oval Case Style		Dimensions			
		1A	1B	1D	1K
A	Oval	2.16	1.31	1.21	2.06
B	Oval	2.69	1.56	1.47	2.58
C	Oval	2.91	1.91	1.81	2.81
D	Oval	3.66	1.97	1.88	3.56
C	Dual Oval	2.91	1.91	1.81	2.81
D	Dual Oval	3.66	1.97	1.88	3.56

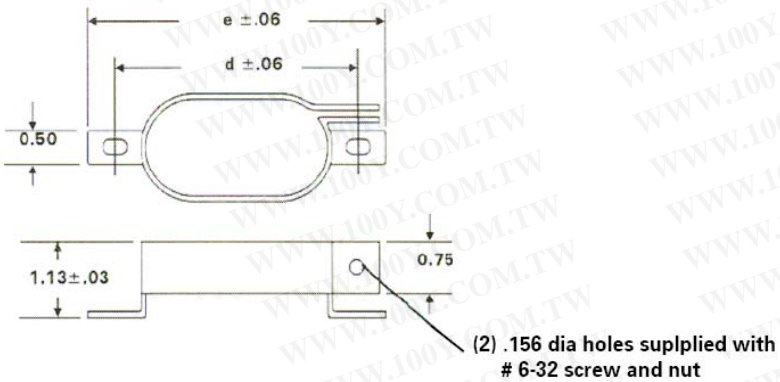
Round Case Style		Dimensions			
		1K			1J
P	Round	1.75	-----	-----	1.88
S	Round	2.00	-----	-----	2.12
T	Round	2.50	-----	-----	2.62

## UNIVERSAL WRAP AROUND BRACKETS – Round Cases

Case Style	Bracket Part Number	a	b	c
P	M295A601631	1.75	1.12	1.31
S	M295A601632	2.00	1.25	1.44
T	M295A601633	2.50	1.50	1.69



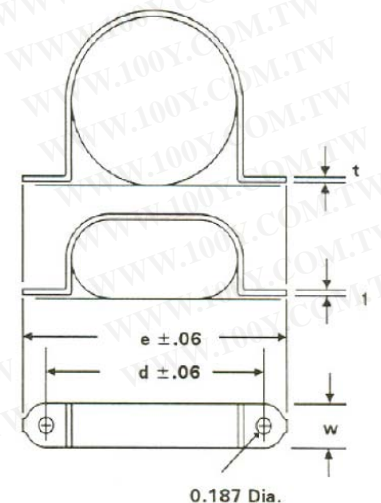
## UNIVERSAL WRAP AROUND BRACKETS – Oval Cases



Case Style	Bracket Part Number	d	e
A	M128A2244AC21	2.69	3.13
B	M128A2244AB25	3.27	3.70
C	M128A2244AB22	3.44	3.88
D	M128A2244AB23	4.19	4.63

## WRAP AROUND BRACKETS – Oval & Round Cases

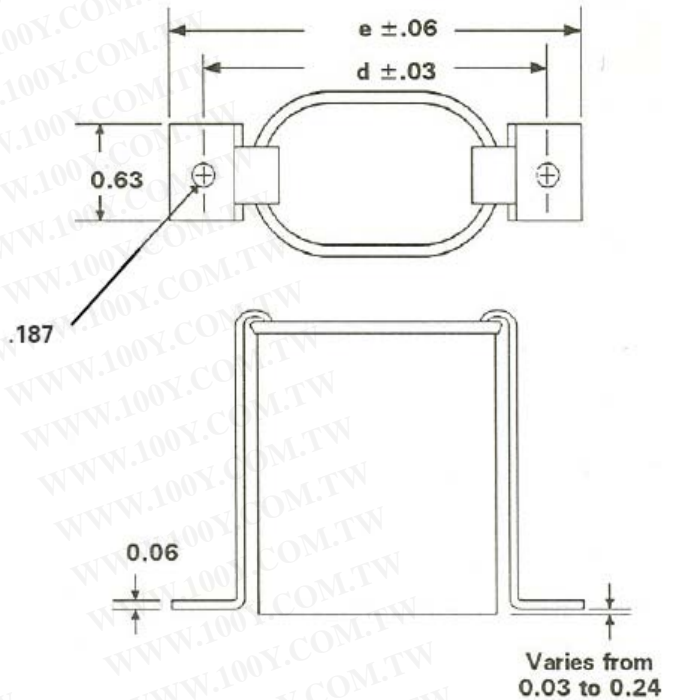
Case Style	Bracket Part Number	d	e	w	t
A	M982706521	2.56	2.94	0.50	0.02
B	M982706531	3.06	3.50	0.63	0.02
C	M614A30161	3.31	3.81	0.75	0.03
D	M614A30151	4.06	4.56	0.75	0.03
P	M279A723524	2.50	2.88	0.75	0.04
S	M279A723522	2.75	3.12	0.75	0.04
T	M279A723523	3.25	3.62	0.75	0.04



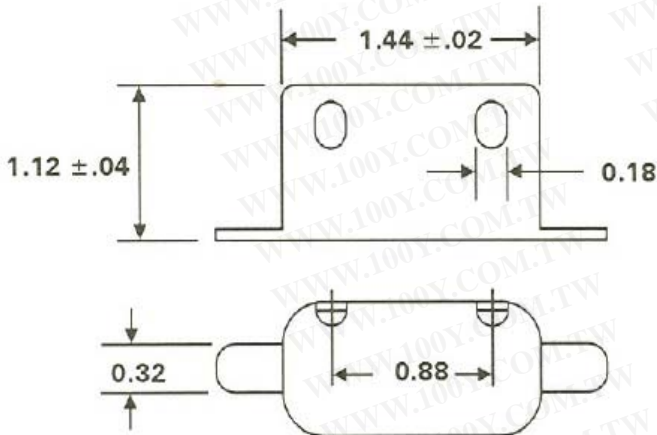
## FOOTED BRACKETS – Oval & Round Cases

Case Height	Bracket Part Number
2.12	M302C920210
2.88	M302C920113
3.88	M302C920115
4.75	M302C920116
5.75	M302C920209

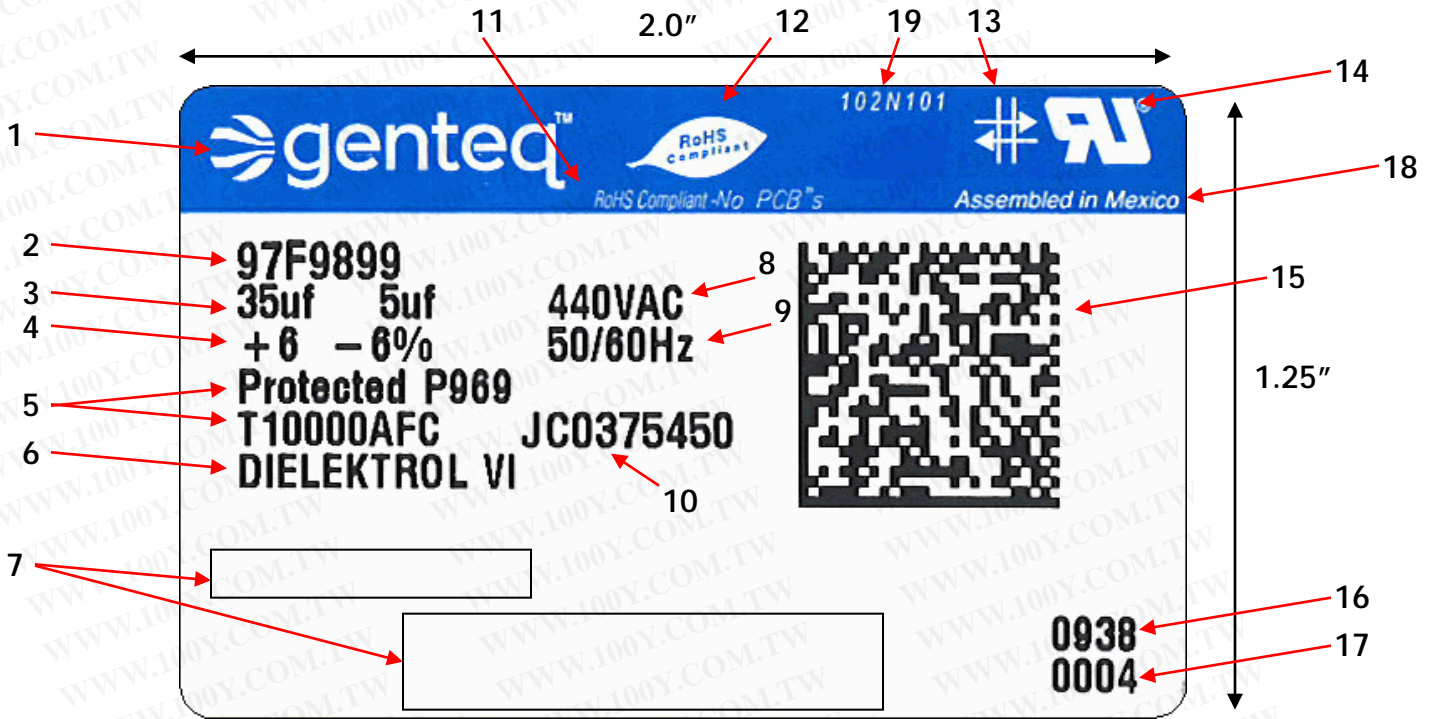
Case Style	d	e
A	2.56	3.00
B	3.13	3.56
C	3.38	3.81
D	4.13	4.56
P	2.33	2.76
S	2.57	3.00
T	3.07	3.50



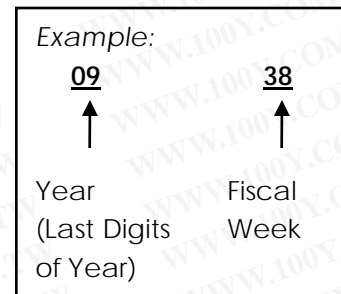
## PROTECTIVE BOOT



Boot Part Number	Temperature Rating
M614A52721	60°C
M178A374421	105°C



- |     |   |     |                              |
|-----|---|-----|------------------------------|
| 1.  | Product / Brand   | 15. | Data Matrix Bar Code         |
| 2.  | Genteq Catalog Model Number                                   | 16. | Manufacturing Date Code      |
| 3.  | Capacitance in Micro-Farads                                   |     |                              |
| 4.  | Tolerance   |     |                              |
| 5.  | UL Designation Including Available Fault Current (AFC) Rating |     |                              |
| 6.  | Genteq Product Name of Dielectric Fluid                       |     |                              |
| 7.  | Customer Part Number and Bar Code                             |     |                              |
| 8.  | AC Voltage Rating   |     |                              |
| 9.  | Frequency   |     |                              |
| 10. | Manufacturing WIP Job Number                                  |     |                              |
| 11. | RoHS Compliant / No PCBs Statement                            | 17. | Label Sequence Number        |
| 12. | RoHS Compliant Logo   | 18. | Country of Origin            |
| 13. | Self-Healing Symbol   | 19. | Label Part Number (Internal) |
| 14. | UL Approved Logo  |     |                              |





AVAILABLE REGAL-BELOIT COMPONENT CAPACITOR PUBLICATIONS		
Publication	Description	Notes
GTC-001	AC Capacitors for Motor Run Applications	
GTC-002	AC Capacitors for HID Lighting Applications	
GTC-003	Capacitors for AC and DC General Purpose Applications	
GTC-004	Screw Terminal Electrolytic Capacitors	
GTC-005	Snubber, High Current DC, and Switching Capacitors	
GTC-006	Dry Capacitors for Motor Run & HID Lighting Applications	New Publication
GTC-007	Snap-In Electrolytic Capacitors	New Publication
GTC-008	Dry Capacitors for Motor Start Applications	New Publication
GTC-009	Mounting, Protective, and Value-Add Accessories	New Publication
PLC-001	PROLINE - AC Capacitors for Motor Run Applications	

Please contact your local Regal-Beloit Sales Representative for further information.

Call or write directly to:

**Genteq Capacitors**  
 1946 West Cook Road  
 Fort Wayne, Indiana 46818 USA

**Phone:** (260) 416-5400  
**Fax:** (260) 416-5460  
**Email:** capacitors@regalbeloit.com

勝特力材料 886-3-5753170  
 勝特力电子(上海) 86-21-34970699  
 勝特力电子(深圳) 86-755-83298787  
[Http://www.100y.com.tw](http://www.100y.com.tw)





**Genteq Capacitors** 1946 West Cook Road, Fort Wayne, Indiana 46818 USA  
**Phone:** (260) 416-5400 **Fax:** (260) 416-5460 **Email:** [capacitors@regalbeloit.com](mailto:capacitors@regalbeloit.com)  
[thecapacitorstoolbox.com](http://thecapacitorstoolbox.com)

