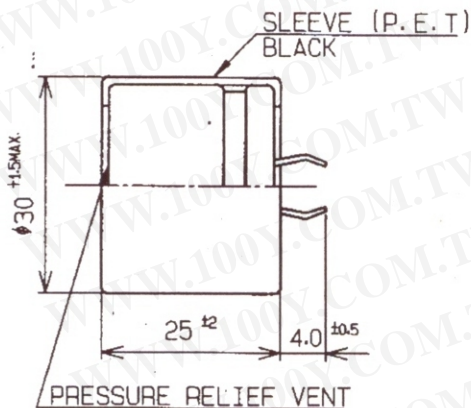


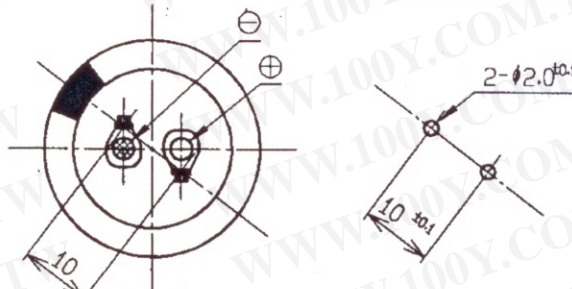
ELECTROLYTIC CAPACITOR

SPEC No. H8547

A

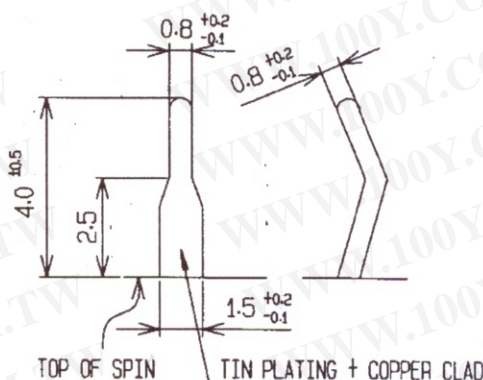


PC BOARD HOLE DIMENSIONS



B

TERMINAL DIMENSIONS



C

MARKING



EIA DATE CODE & SLEEVE MATERIAL (SLEEVE)

NOTE

1. Avoid such application that capacitor vent to be covered with other materials and interfered with capacitor venting.

D

ELECTRICAL CHARACTERISTICS

TERM INAL	RATED VOLTAGE (V.D.C)	SURGE VOLTAGE (V.D.C)	RATED CAPACITANCE (µF)	CAPACITANCE TOLERANCE (%)	D.F. (%) (MAX.)	LEAKAGE CURRENT (mA MAX.)	RIPPLE CURRENT (A MAX.)
	400	450	180	-20~+20	15	0.8	0.90
				at 120Hz 20°C		after 5min.	120Hz 105°C
TEST STANDARD		JIS C 5101-4			(CATEGORY TEMP. RANGE -25°C~+105°C)		

E

勝特力材料 886-3-5753170
 勝特力电子(上海) 86-21-34970699
 勝特力电子(深圳) 86-755-83298787
[Http://www.100y.com.tw](http://www.100y.com.tw)

APPROVED	<i>[Signature]</i>		NICHICON TYPE No.
CHECKED	—		LGU2G181MELENH
DESIGNED	<i>[Signature]</i>		RATE
			400 V 180 µF
3RD ANGLE PROJEC-TION	SCALE / mm	DATE	CASE SIZE
		Dec. 9, '04	φ 30 x 25 L

F

MARK	DATE	DESCRIPTIONS	DESI.	NICHICON CORPORATION	DWG.No. N041209U3
		REVISION			