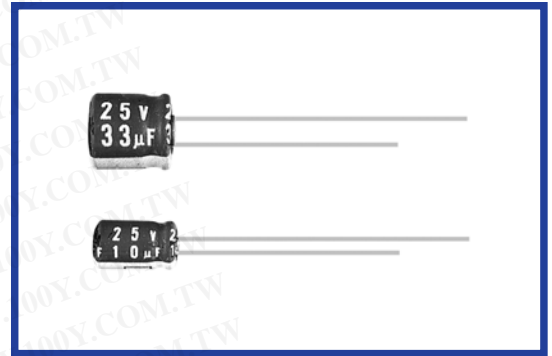


MS7 SERIES
85°C 7mm Height
◆FEATURES

•RoHS compliance.

 勝特力材料 886-3-5753170
 勝特力电子(上海) 86-21-34970699
 勝特力电子(深圳) 86-755-83298787
[Http://www.100y.com.tw](http://www.100y.com.tw)

◆SPECIFICATIONS

Items	Characteristics																											
Category Temperature Range	-40~+85°C																											
Rated Voltage Range	4~63Vdc																											
Capacitance Tolerance	±20%(20°C,120Hz)																											
Leakage Current(MAX)	I=0.01CV or 3µA whichever is greater.(After 2 minutes application of rated voltage) I=Leakage Current(µA) C=Capacitance(µF) V=Rated Voltage(Vdc)																											
(tanδ) Dissipation Factor(MAX)	<table border="1" style="display: inline-table; margin-right: 20px;"> <thead> <tr> <th>Rated Voltage (Vdc)</th> <th>4</th> <th>6.3</th> <th>10</th> <th>16</th> <th>25</th> <th>35</th> <th>50</th> <th>63</th> </tr> </thead> <tbody> <tr> <td>tanδ</td> <td>0.35</td> <td>0.24</td> <td>0.20</td> <td>0.17</td> <td>0.15</td> <td>0.13</td> <td>0.10</td> <td>0.10</td> </tr> </tbody> </table> (20°C,120Hz)	Rated Voltage (Vdc)	4	6.3	10	16	25	35	50	63	tanδ	0.35	0.24	0.20	0.17	0.15	0.13	0.10	0.10									
Rated Voltage (Vdc)	4	6.3	10	16	25	35	50	63																				
tanδ	0.35	0.24	0.20	0.17	0.15	0.13	0.10	0.10																				
Endurance	After applying rated voltage with rated ripple current for 1000 hrs at 85°C, the capacitors shall meet the following requirements. <table border="1" style="display: inline-table; margin-right: 20px;"> <tbody> <tr> <td>Capacitance Change</td> <td>Within ±20% of the initial value.</td> </tr> <tr> <td>Dissipation Factor</td> <td>Not more than 200% of the specified value.</td> </tr> <tr> <td>Leakage Current</td> <td>Not more than the specified value.</td> </tr> </tbody> </table>	Capacitance Change	Within ±20% of the initial value.	Dissipation Factor	Not more than 200% of the specified value.	Leakage Current	Not more than the specified value.																					
Capacitance Change	Within ±20% of the initial value.																											
Dissipation Factor	Not more than 200% of the specified value.																											
Leakage Current	Not more than the specified value.																											
Low Temperature Stability Impedance Ratio(MAX)	<table border="1" style="display: inline-table; margin-right: 20px;"> <thead> <tr> <th>Rated Voltage (Vdc)</th> <th>4</th> <th>6.3</th> <th>10</th> <th>16</th> <th>25</th> <th>35</th> <th>50</th> <th>63</th> </tr> </thead> <tbody> <tr> <td>Z(-25°C)/Z(20°C)</td> <td>7</td> <td>4</td> <td>3</td> <td>3</td> <td>2</td> <td>2</td> <td>2</td> <td>2</td> </tr> <tr> <td>Z(-40°C)/Z(20°C)</td> <td>15</td> <td>10</td> <td>8</td> <td>6</td> <td>4</td> <td>4</td> <td>4</td> <td>4</td> </tr> </tbody> </table> (120Hz)	Rated Voltage (Vdc)	4	6.3	10	16	25	35	50	63	Z(-25°C)/Z(20°C)	7	4	3	3	2	2	2	2	Z(-40°C)/Z(20°C)	15	10	8	6	4	4	4	4
Rated Voltage (Vdc)	4	6.3	10	16	25	35	50	63																				
Z(-25°C)/Z(20°C)	7	4	3	3	2	2	2	2																				
Z(-40°C)/Z(20°C)	15	10	8	6	4	4	4	4																				

◆MULTIPLIER FOR RIPPLE CURRENT

Frequency coefficient

Frequency (Hz)	60(50)	120	500	1k	10k≤
Coefficient					
1µF	0.50	1.00	1.20	1.30	1.50
2.2~4.7µF	0.65	1.00	1.20	1.30	1.50
10~47µF	0.80	1.00	1.20	1.30	1.50
100~470µF	0.80	1.00	1.10	1.15	1.20

◆OPTION

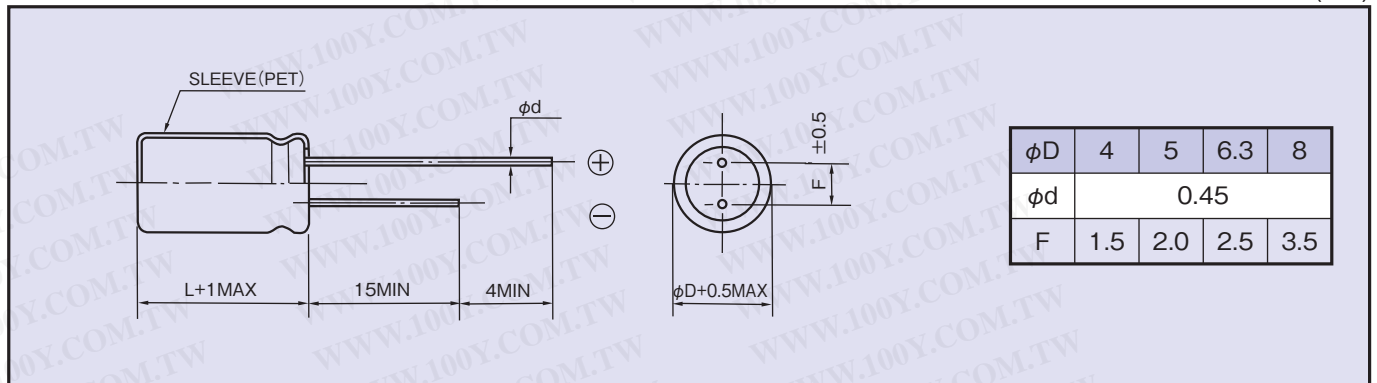
	Code
PET Sleeve	EFC

◆PART NUMBER

□□□	MS7	□□□□□	M	□□□	□□	DXL
Rated Voltage	Series	Capacitance	Capacitance Tolerance	Option	Lead Forming	Case Size

◆ DIMENSIONS

(mm)



◆ STANDARD SIZE

Size φD×L(mm), Rated Ripple Current (mA r.m.s./85°C, 120Hz)

Vdc Cap(μF)	4		6.3		10		16	
	Size	Ripple	Size	Ripple	Size	Ripple	Size	Ripple
10							4×7	28
22			4×7	34	4×7	38	4×7	42
33	4×7	33	4×7	42	4×7	46	5×7	62
47	4×7	39	4×7	50	5×7	66	5×7	73
100	5×7	65	5×7	87	6.3×7	99	6.3×7	110
220	6.3×7	110	6.3×7	133	8×7	165	8×7	145
330	8×7	165	8×7	180	8×7	210		
470	8×7	190						

Vdc Cap(μF)	25		35		50		63	
	Size	Ripple	Size	Ripple	Size	Ripple	Size	Ripple
1					4×7	12	4×7	12
2.2					4×7	16	4×7	16
3.3			4×7	18	4×7	19	5×7	24
4.7	4×7	21	4×7	22	4×7	24	6.3×7	33
10	4×7	31	5×7	32	5×7	42	6.3×7	45
22	5×7	55	6.3×7	60	6.3×7	64		
33	6.3×7	66	6.3×7	73	8×7	75		
47	6.3×7	80	8×7	95	8×7	85		
100	8×7	115	8×7	115				

勝特力材料 886-3-5753170
 勝特力电子(上海) 86-21-34970699
 勝特力电子(深圳) 86-755-83298787
[Http://www.100y.com.tw](http://www.100y.com.tw)