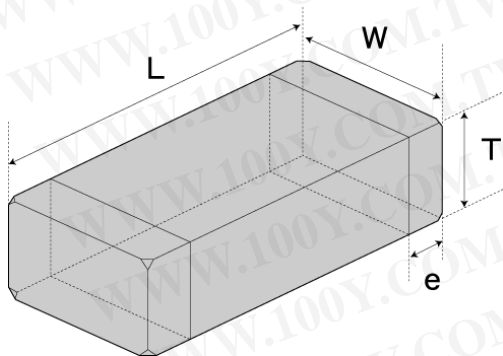


Spec Sheet

High Value Multilayer Ceramic Capacitors (High dielectric type)

EMK107BJ225KA - T



■ Features

- Item Summary
16V, X5R, 2.2 μ F, \pm 10%, 0603
- Lifecycle Stage
Mass Production
- Standard packaging quantity (minimum)
Taping paper 4000pcs

■ Products characteristics table

| | |
|---------------------------------------|-------------------------|
| CaseSize (EIA/JIS) | 0603/1608 |
| Rated Voltage (max) | 16V |
| Capacitance | 2.2 μ F |
| Capacitance Tolerance | \pm 10% |
| Resistance | 100 M μ F |
| Dielectric Loss Tangent | 10%MAX |
| Q (min) | N/A |
| Temperature Characteristics (EIA/JIS) | X5R/B |
| Temperature Range (EIA/JIS) | -55 to +85 / -25 to +85 |
| Capacitance Change (EIA/JIS) | \pm 15/ \pm 10% |
| RoHS Compliance | Yes |
| Halogen Free | Yes |
| Soldering Method | Reflow |

■ External Dimensions

| | |
|---|-------------------|
| L | 1.6mm \pm 0.10 |
| W | 0.8mm \pm 0.10 |
| T | 0.8mm \pm 0.10 |
| e | 0.35mm \pm 0.25 |

勝特力材料 886-3-5753170
 勝特力电子(上海) 86-21-34970699
 勝特力电子(深圳) 86-755-83298787
[Http://www.100y.com.tw](http://www.100y.com.tw)

The data is reference only. Electrical characteristics vary depending on environment or measurement condition.
 TAIYO YUDEN reserves the right to make change to the Date at any time without notice.
 Before making final selection, please check product specification.