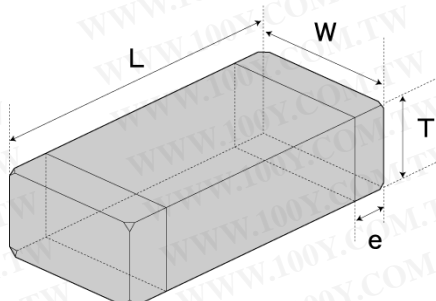


## High Value Multilayer Ceramic Capacitors (High dielectric type)

## LMK212B7475KG-T



## ■ Features

- Item Summary  
4.7 $\mu$ F $\pm$ 10%, 10V,  
X7R, 0805/2012 (EIA/JIS)
- Lifecycle Stage  
Mass Production
- Standard packaging quantity (minimum)  
Taping Embossed 3000pcs

## ■ Products characteristics table

Capacitance	4.7 $\mu$ F $\pm$ 10 %
Case Size (EIA/JIS)	0805/2012
Rated Voltage	10 V
$\tan \delta$ (max)	10 %
Temperature Characteristic (EIA)	X7R
Operating Temp. Range (EIA)	-55 to +125 °C
High Temperature Loading (% Rated Voltage)	150 %
Insulation Resistance (min)	100 M $\Omega$ · $\mu$ F
RoHS2 Compliance (10 subst.)	Yes
REACH Compliance (173 subst.)	Yes
Halogen Free	Yes
Soldering	Reflow

## ■ External Dimensions

Dimension L	2.0 $\pm$ 0.10 mm
Dimension W	1.25 $\pm$ 0.10 mm
Dimension T	1.25 $\pm$ 0.10 mm
Dimension e	0.50 $\pm$ 0.25 mm

勝特力材料 886-3-5753170  
 勝特力电子(上海) 86-21-34970699  
 勝特力电子(深圳) 86-755-83298787  
[Http://www.100y.com.tw](http://www.100y.com.tw)

2017.06.30

The data is reference only. Electrical characteristics vary depending on environment or measurement condition.  
 TAIYO YUDEN reserves the right to make change to the Data at any time without notice.  
 Before making final selection, please check product specification.

# Multi Layer Ceramic Capacitor

**TAIYO YUDEN**

-Electrical Characteristics Data-

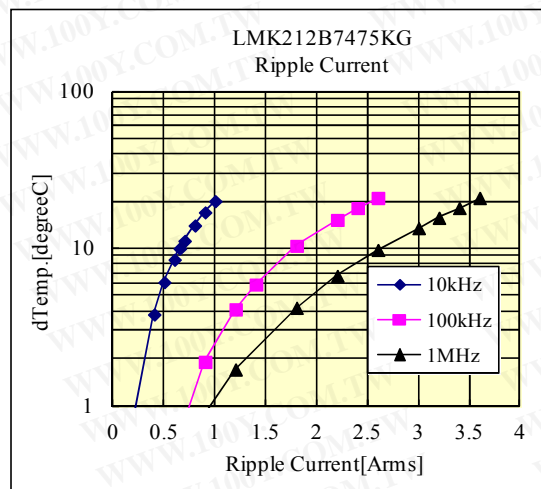
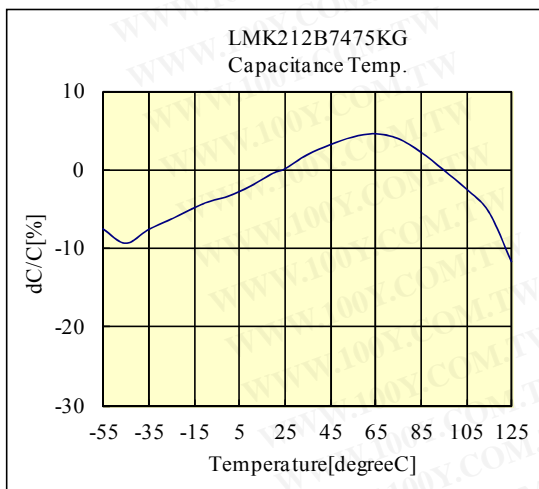
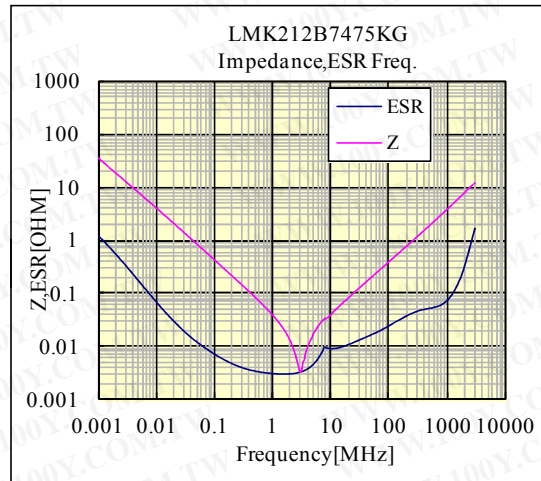
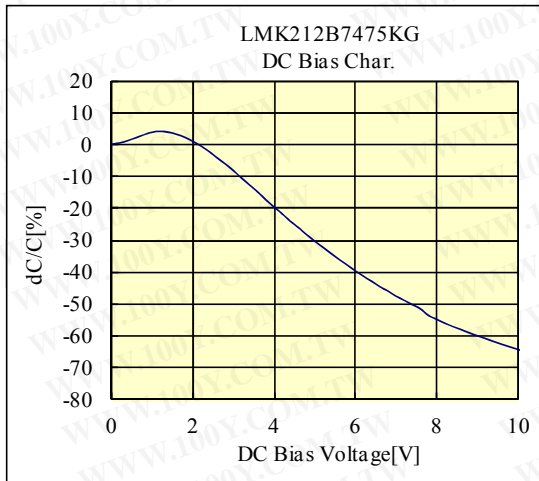
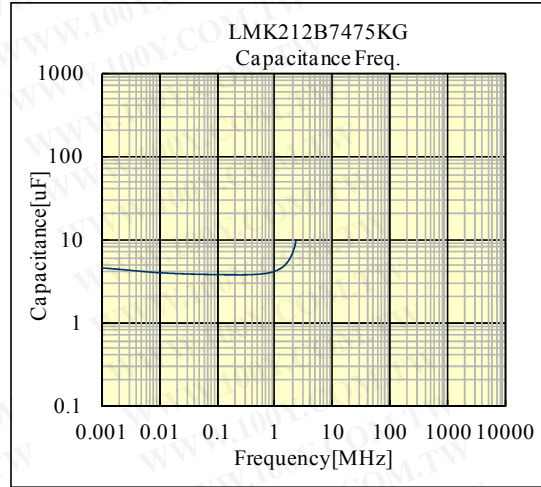
16LA03

RoHS compliance product

## ○ LMK212B7475KG

10V 2012 X7R 4.7uF +/- 10% t=1.35mmMAX

10V 0805 X7R 4.7uF +/- 10% t=0.053inchMAX



部品特性は設置環境、測定条件等により変化する場合があります。本データをご使用される際は実際の製品特性に対する参考データとしてご利用ください。また、本データは予告無く追加・削除及び変更を行う場合があります。ご注文の際は、納入仕様書のご確認をお願いします。

勝特力材料 886-3-5753170  
 胜特力电子(上海) 86-21-34970699  
 胜特力电子(深圳) 86-755-83298787  
 Http://www.100y.com.tw

They may vary depending on environment or measurement condition.  
 Please refer to the data at any time without notice.  
 It is not guaranteed to meet the specification.