

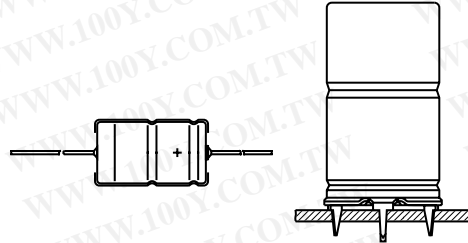
# Selection Chart

Vishay



## Axial Series

勝特力材料 886-3-5753170  
 勝特力电子(上海) 86-21-34970699  
 勝特力电子(深圳) 86-755-83298787  
[Http://www.100y.com.tw](http://www.100y.com.tw)



miniature diameter 3.3 mm
85 °C
<b>117 ASD</b>

non polar
105 °C
<b>EBU/EBT</b> on request

non polar
125 °C
<b>610 D</b>

standard ranges	
85 °C	105 °C
<b>021 ASM</b> <b>030/031 AS</b> <b>041-043 ASH</b> <b>132/133 ALL-DIN</b> <b>TVA-Atom</b> <b>39D</b> <b>53D</b> <b>500D</b> <b>516D</b>	<b>138 AML</b> <b>TE</b> <b>601D</b> <b>30D</b>

for lighting ballast	
85 °C	105 °C
<b>042-043 AMH-ELB</b>	<b>042-043 AHH-ELB</b>

high temperature, solid electrolyte
125 °C
<b>123 SAL-A</b>

high temperature
125 °C
<b>118 AHT</b> <b>119 AHT-DIN</b> <b>630D</b> <b>600D</b>

high temperature, low impedance
125 °C
<b>120 ATC</b>

4 terminal
105 °C
<b>604D</b>



## Aluminum Capacitors

### Axial High Temperature, High Ripple Current

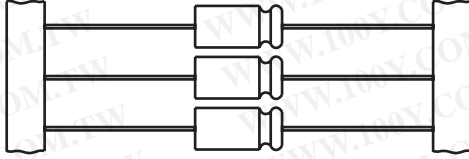
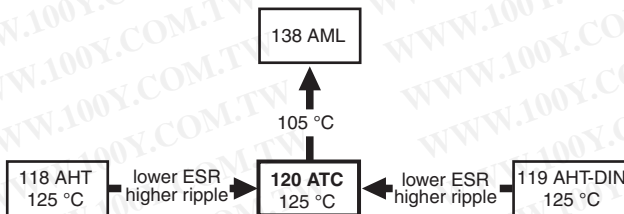


Fig.1 Component outlines



#### FEATURES

- Polarized aluminum electrolytic capacitors, non-solid electrolyte
- Axial leads, cylindrical aluminum case, insulated with a blue sleeve
- Mounting ring version not available in insulated form
- Taped versions up to case  $\varnothing$  15 x 30 mm available for automatic insertion
- Charge and discharge proof
- Extra long useful life: up to 8000 hours at 125 °C, high reliability
- Lowest ESR levels providing very high ripple current capability
- Extended temperature range: usable up to 150 °C
- Miniaturized, high CV-product per unit volume
- Lead diameter  $\varnothing$  d = 1.0 mm, available on request
- Lead (Pb)-free versions are RoHS compliant



**RoHS**  
COMPLIANT

#### QUICK REFERENCE DATA

DESCRIPTION	VALUE
Nominal case sizes ( $\varnothing$ D x L in mm)	10 x 30 to 21 x 38
Rated capacitance range, $C_R$	47 to 6800 $\mu$ F
Tolerance on $C_R$	$\pm$ 20 %
Rated voltage range, $U_R$	16 to 100 V
Category temperature range	- 40 to + 125 °C
Endurance test at 150 °C	1000 hours
Endurance test at 125 °C	4000 hours
Useful life at 125 °C	8000 hours
Useful life at 85 °C, 1.4 x $I_R$ applied	40 000 hours
Shelf life at 0 V, 125 °C	1000 hours (100 V: 500 hours)
Shelf life at 0 V, 150 °C	$\leq$ 63 V: 500 hours
Based on sectional specification	IEC 60384-4/EN130300
Climatic category IEC 60068	40/125/56

#### APPLICATIONS

- Automotive, industrial and telecommunication
- Smoothing, filtering, buffering
- Low mounting height applications, vibration and shock resistant
- SMPS and standard power supplies

#### MARKING

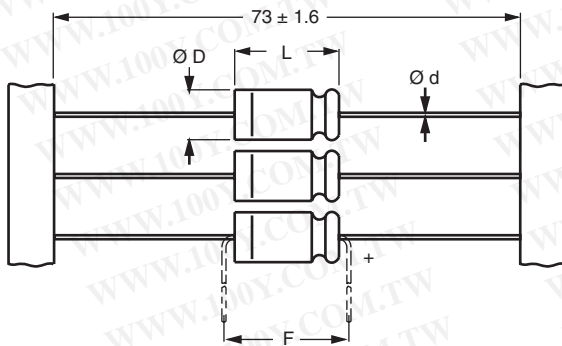
The capacitors are marked (where possible) with the following information:

- Rated capacitance (in  $\mu$ F)
- Tolerance on rated capacitance, code letter in accordance with IEC 60062 (M for  $\pm$  20 %)
- Rated voltage (in V)
- Upper category temperature (125 °C)
- Date code in accordance with IEC 60062
- Code for factory of origin
- Name of manufacturer
- Band to indicate the negative terminal
- '+' sign to identify the positive terminal
- Series number (120)



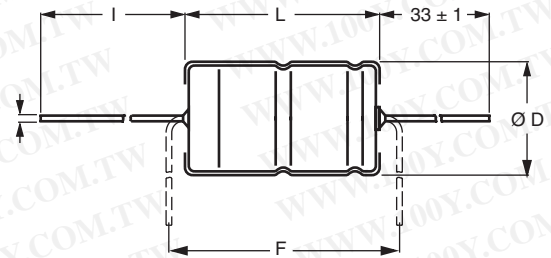
SELECTION CHART FOR $C_R$ , $U_R$ AND RELEVANT NOMINAL CASE SIZE ( $\varnothing D \times L$ in mm)					
$C_R$ ( $\mu F$ )	$U_R$ (V)				
	16	25	40	63	100
47	-	-	-	-	10 x 30
68	-	-	-	-	12.5 x 30
100	-	-	-	10 x 30	12.5 x 30
150	-	-	-	12.5 x 30	15 x 30
220	-	-	10 x 30	12.5 x 30	18 x 30
330	-	-	12.5 x 30	15 x 30	18 x 38
470	-	10 x 30	12.5 x 30	18 x 30	21 x 38
680	10 x 30	12.5 x 30	15 x 30	18 x 38	-
1000	12.5 x 30	12.5 x 30	18 x 30	21 x 38	-
1500	12.5 x 30	15 x 30	18 x 38	-	-
2200	15 x 30	18 x 30	21 x 38	-	-
3300	18 x 30	18 x 38	-	-	-
4700	18 x 38	21 x 38	-	-	-
6800	21 x 38	-	-	-	-

**DIMENSIONS** in millimeters **AND AVAILABLE FORMS**



**Form BR:** Taped on reel, non-preferred  
case  $\varnothing D \times L = 10 \times 30$  to  $15 \times 30$  mm

Fig.2 Form BR



**Form AA:** Axial in box  
case  $\varnothing D \times L = 10 \times 30$  to  $21 \times 38$  mm

Fig.3 Form AA

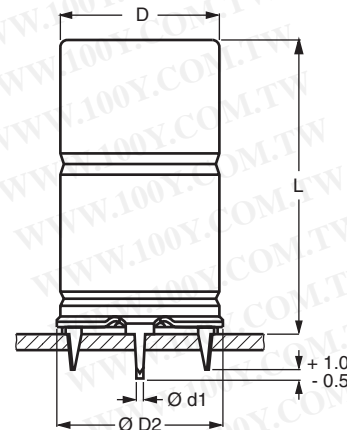
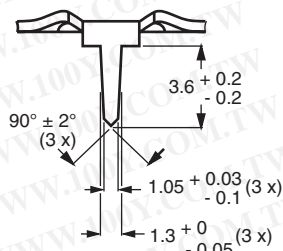
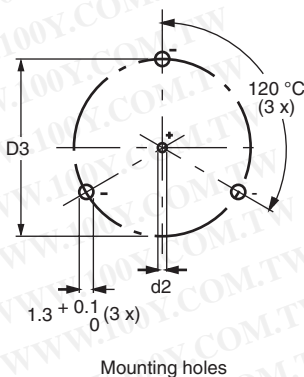
Table 1

AXIAL; DIMENSIONS in millimeters, MASS AND PACKAGING QUANTITIES								
NOMINAL CASE SIZE Ø D x L (mm)	AXIAL: FORM AA AND BR					MASS (g)	PACKAGING QUANTITIES	
	Ø d <sup>(1)</sup>	l	Ø D <sub>max.</sub>	L <sub>max.</sub>	F <sub>min.</sub>		FORM AA	FORM BR
10 x 30	0.8	55 ± 1	10.5	30.5	35	≈ 4.8	340	500
12.5 x 30	0.8	55 ± 1	13.0	30.5	35	≈ 7.4	260	400
15 x 30	0.8	55 ± 1	15.5	30.5	35	≈ 11.7	200	250
18 x 30	0.8	55 ± 1	18.5	30.5	35	≈ 12.9	120	-
18 x 38	0.8	34 ± 1	18.5	39.5	44	≈ 19.0	125	-
21 x 38	0.8	34 ± 1	21.5	39.5	44	≈ 24.0	100	-

**Note**

(1) Lead diameter Ø d = 1.0 mm, available on request.

Detailed tape dimensions see section 'PACKAGING'.



Case Ø D x L = 15 x 30 to 21 x 38 mm  
Case not insulated (insulation on request)  
Especially for applications with severe shocks and vibrations

Fig.5 Mounting hole diagram and outline; **Form MR:** With mounting ring and pins

Table 2

MOUNTING RING; DIMENSIONS in millimeters, MASS AND PACKAGING QUANTITIES									
NOMINAL CASE SIZE Ø D x L	CASE CODE	MOUNTING RING: FORM MR						MASS (g)	PACKAGING QUANTITIES
		Ø d1	Ø d2	Ø D <sub>max.</sub>	Ø D2 <sub>max.</sub>	D3	L <sub>max.</sub>		
15 x 30	02	0.8	1.0 + 0.4	15.5	17.5	16.5 ± 0.2	33	≈ 8.6	200
18 x 30	03	0.8	1.0 + 0.4	18.5	19.5	18.5 ± 0.2	33	≈ 11.5	240
18 x 38	04	0.8	1.0 + 0.4	18.5	19.5	18.5 ± 0.2	42	≈ 14.0	100
21 x 38	05	0.8	1.0 + 0.4	21.5	22.5	21.5 ± 0.2	42	≈ 19.2	100



Aluminum Capacitors  
Axial High Temperature, High Ripple Current

Vishay BCcomponents

ELECTRICAL DATA	
SYMBOL	DESCRIPTION
C <sub>R</sub>	rated capacitance at 100 Hz, tolerance ± 20 %
I <sub>R</sub>	rated RMS ripple current at 10 kHz, 125 °C
I <sub>L1</sub>	max. leakage current after 1 minute at U <sub>R</sub>
I <sub>L5</sub>	max. leakage current after 5 minutes at U <sub>R</sub>
ESR	equivalent series resistance at 100 Hz (calculated from tan δ <sub>max.</sub> and C <sub>R</sub> )
Z	max. impedance at 10 kHz

Note

Unless otherwise specified, all electrical values in Table 3 apply at T<sub>amb</sub> = 20 °C, P = 86 to 106 kPa, RH = 45 to 75 %.

Table 3

ELECTRICAL DATA AND ORDERING INFORMATION													
U <sub>R</sub> (V)	C <sub>R</sub> 100 Hz (µF)	NOMINAL CASE SIZE Ø D x L (mm)	I <sub>R</sub> 10 kHz 125 °C (mA)	I <sub>L1</sub> 1 MIN (µA)	I <sub>L5</sub> 5 MIN (µA)	TYP. ESR 100 Hz (mΩ)	MAX. ESR 100 Hz (mΩ)	TYP. ESR 10 kHz (mΩ)	MAX. ESR 10 kHz (mΩ)	Z MAX. 10 kHz (mΩ)	ORDERING CODE MAL2120.....		
											IN BOX FORM AA	TAPED ON REEL FORM BR	MOUNTING RING FORM MR
16	680	10 x 30	2100	171	84	106	177	44	74	78	15681E3	25681E3	-
	1000	12.5 x 30	2550	232	104	77	128	35	58	61	15102E3	25102E3	-
	1500	12.5 x 30	2650	328	136	60	100	32	53	53	15152E3	25152E3	-
	2200	15 x 30	2940	462	181	48	79	28	46	46	15222E3	25222E3	45222E3
	3300	18 x 30	3430	674	251	41	68	26	43	43	15332E3	-	45332E3
	4700	18 x 38	4350	942	341	27	45	18	29	29	15472E3	-	45472E3
	6800	21 x 38	4590	1346	475	26	43	18	29	29	15682E3	-	45682E3
25	470	10 x 30	2100	181	87	112	187	45	74	84	16471E3	26471E3	-
	680	12.5 x 30	2550	244	108	81	136	35	59	64	16681E3	26681E3	-
	1000	12.5 x 30	2600	340	140	64	107	32	53	55	16102E3	26102E3	-
	1500	15 x 30	2890	490	190	49	82	28	46	46	16152E3	26152E3	46152E3
	2200	18 x 30	3310	700	260	43	71	27	44	44	16222E3	-	46222E3
	3300	18 x 38	4350	1030	370	28	47	18	29	29	16332E3	-	46332E3
	4700	21 x 38	4470	1450	510	27	44	18	29	29	16472E3	-	46472E3
40	220	10 x 30	1990	146	75	192	320	52	87	124	17221E3	27221E3	-
	330	12.5 x 30	2430	198	93	130	216	37	62	83	17331E3	27331E3	-
	470	12.5 x 30	2550	266	115	101	169	35	58	70	17471E3	27471E3	-
	680	15 x 30	2840	366	149	75	125	30	50	55	17681E3	27681E3	47681E3
	1000	18 x 30	3150	520	200	59	99	28	47	49	17102E3	-	47102E3
	1500	18 x 38	4130	760	280	39	65	19	31	32	17152E3	-	47152E3
	2200	21 x 38	4170	1096	392	34	56	19	31	31	17222E3	-	47222E3
63	100	10 x 30	1560	116	65	297	495	92	154	249	18101E3	28101E3	-
	150	12.5 x 30	2050	153	78	195	325	61	102	162	18151E3	28151E3	-
	220	12.5 x 30	2150	206	95	149	249	55	92	126	18221E3	28221E3	-
	330	15 x 30	2510	289	123	105	175	44	73	91	18331E3	28331E3	48331E3
	470	18 x 30	2860	395	158	81	135	38	64	74	18471E3	-	48471E3
	680	18 x 38	3720	554	211	55	92	26	43	49	18681E3	-	48681E3
	1000	21 x 38	3780	796	292	44	74	25	41	43	18102E3	-	48102E3
100	47	10 x 30	760	96	59	760	1269	349	581	720	19479E3	29479E3	-
	68	12.5 x 30	1030	122	67	531	885	246	410	503	19689E3	29689E3	-
	100	12.5 x 30	1140	160	80	389	648	196	327	381	19101E3	29101E3	-
	150	15 x 30	1480	220	100	266	443	137	229	262	19151E3	29151E3	49151E3
	220	18 x 30	1960	304	128	181	302	95	158	179	19221E3	-	49221E3
	330	18 x 38	2550	436	172	120	200	62	104	117	19331E3	-	49331E3
	470	21 x 38	2800	604	228	92	154	52	86	94	19471E3	-	49471E3

ORDERING EXAMPLE

Electrolytic capacitor 120 series

1000 µF/16 V; ± 20 %

Nominal case size: Ø 12.5 x 30 mm; Form BR

Ordering code: MAL212025102E3

Former 12NC: 2222 120 25102



ADDITIONAL ELECTRICAL DATA			
PARAMETER	CONDITIONS	VALUE	
		AXIAL	MOUNTING RING
<b>Voltage</b>			
Surge voltage		$U_s \leq 1.15 \times U_R$	
Reverse voltage		$U_{rev} \leq 1 \text{ V}$	
<b>Current</b>			
Leakage current	After 1 minute at $U_R$	$I_{L1} \leq 0.012 C_R \times U_R + 40 \mu\text{A}$	
	After 5 minutes at $U_R$	$I_{L5} \leq 0.004 C_R \times U_R + 40 \mu\text{A}$	
<b>Inductance</b>			
Equivalent series inductance (ESL)	Case $\varnothing D \times L$ mm:		
	10 x 30	typ. 38 nH	
	12.5 x 30	typ. 46 nH	
	15 x 30	typ. 48 nH	typ. 39 nH
	18 x 30	typ. 50 nH	typ. 39 nH
	18 x 38	typ. 54 nH	typ. 39 nH
	21 x 38	typ. 59 nH	typ. 39 nH

**CAPACITANCE (C)**

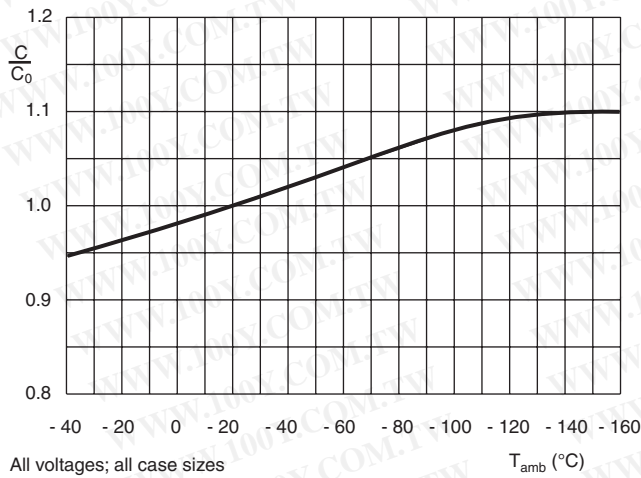


Fig.5 Typical multiplier of capacitance as a function of ambient temperature

**EQUIVALENT SERIES RESISTANCE (ESR)**

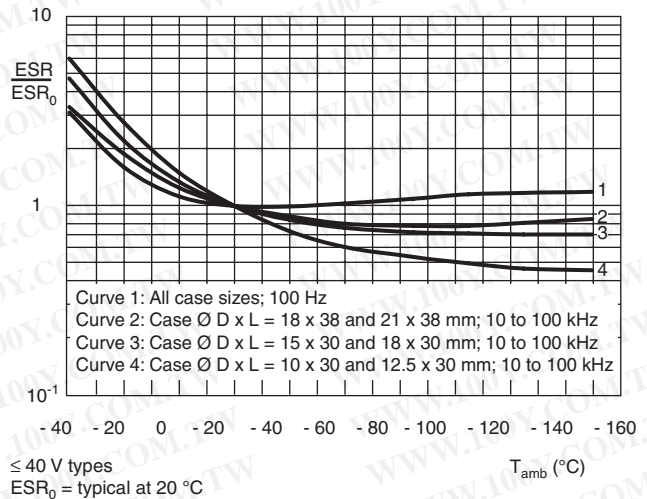


Fig.6 Typical multiplier of ESR as a function of ambient temperature at different frequencies

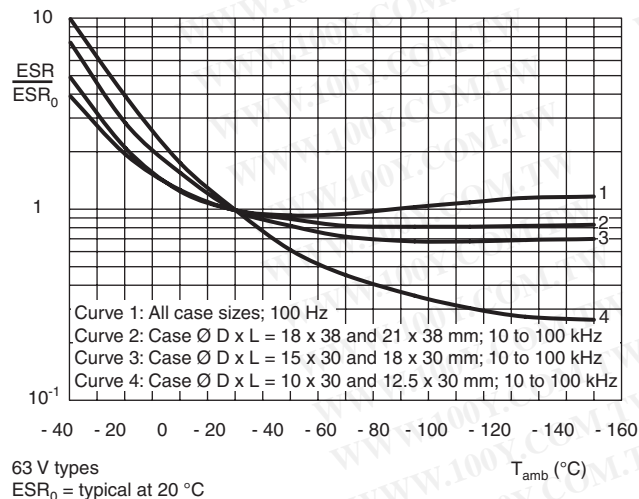


Fig.7 Typical multiplier of ESR as a function of ambient temperature at different frequencies

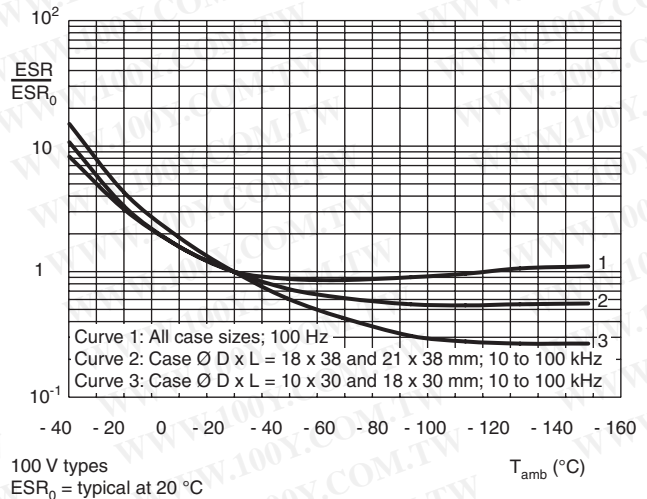


Fig.8 Typical multiplier of ESR as a function of ambient temperature at different frequencies



**RIPPLE CURRENT AND USEFUL LIFE**

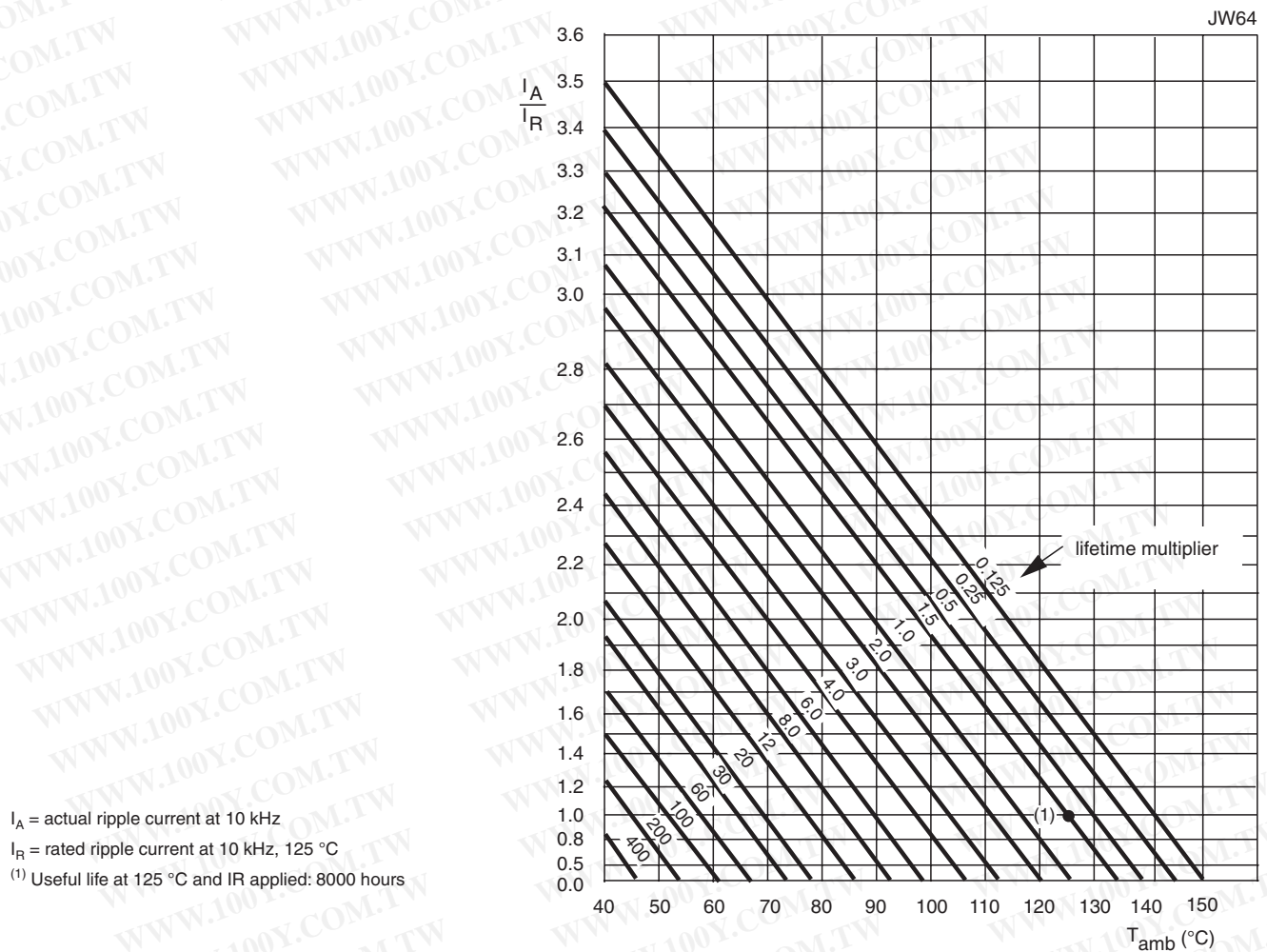


Fig.9 Multiplier of useful life as a function of ambient temperature and ripple current load

Table 4

MULTIPLIER OF RIPPLE CURRENT ( $I_R$ ) AS A FUNCTION OF FREQUENCY				
FREQUENCY (Hz)	$I_R$ MULTIPLIER			
	$U_R = 16$ to $40$ V CASE SIZES 10 x 30 to 15 x 30 mm	$U_R = 16$ to $40$ V CASE SIZES 18 x 30 to 21 x 38 mm	$U_R = 63$ and $100$ V CASE SIZES 10 x 30 to 15 x 30 mm	$U_R = 63$ and $100$ V CASE SIZES 18 x 30 to 21 x 38 mm
50	0.37	0.54	0.23	0.44
100	0.48	0.63	0.32	0.56
300	0.69	0.75	0.53	0.76
1000	0.86	0.81	0.77	0.88
3000	0.96	0.87	0.93	0.94
≥ 10 000	1.00	1.00	1.00	1.00

Table 5

<b>TEST PROCEDURES AND REQUIREMENTS</b>			
<b>TEST</b>		<b>PROCEDURE (QUICK REFERENCE)</b>	<b>REQUIREMENTS</b>
<b>NAME OF TEST</b>	<b>REFERENCE</b>		
Endurance	IEC 60384-4/ EN130300 subclause 4.13	T <sub>amb</sub> = 125 °C; U <sub>R</sub> applied; 4000 hours  T <sub>amb</sub> = 150 °C; U <sub>R</sub> applied; 1000 hours	ΔC/C: ± 15 %  tan δ ≤ 1.3 x spec. limit  Z ≤ 2 × spec. limit  I <sub>L5</sub> ≤ spec. limit
Useful life	CECC 30301 subclause 1.8.1	T <sub>amb</sub> = 125 °C; U <sub>R</sub> and I <sub>R</sub> applied; 8000 hours	ΔC/C: ± 45 %  tan δ ≤ 3 x spec. limit  Z ≤ 3 x spec. limit  I <sub>L5</sub> ≤ spec. limit  no short or open circuit  total failure percentage: ≤ 1 %
Shelf life (storage at high temperature)	IEC 60384-4/ EN130300 subclause 4.17	T <sub>amb</sub> = 125 °C; no voltage applied; 1000 hours (100 V: 500 hours)  T <sub>amb</sub> = 150 °C; no voltage applied; 500 hours for voltages: ≤ 63 V  after test: U <sub>R</sub> to be applied for 30 minutes, 24 to 48 hours before measurement	ΔC/C, tan δ, Z: for requirements see 'Endurance test' above  I <sub>L5</sub> ≤ 2 x spec. limit
Reverse voltage	IEC 60384-4/ EN130300 subclause 4.15	T <sub>amb</sub> = 125 °C: 125 hours at U = - 1 V followed by 125 hours at U <sub>R</sub>	ΔC/C: ± 20 %  tan δ ≤ spec. limit  I <sub>L5</sub> ≤ spec. limit





## Disclaimer

All product specifications and data are subject to change without notice.

Vishay Intertechnology, Inc., its affiliates, agents, and employees, and all persons acting on its or their behalf (collectively, "Vishay"), disclaim any and all liability for any errors, inaccuracies or incompleteness contained herein or in any other disclosure relating to any product.

Vishay disclaims any and all liability arising out of the use or application of any product described herein or of any information provided herein to the maximum extent permitted by law. The product specifications do not expand or otherwise modify Vishay's terms and conditions of purchase, including but not limited to the warranty expressed therein, which apply to these products.

No license, express or implied, by estoppel or otherwise, to any intellectual property rights is granted by this document or by any conduct of Vishay.

The products shown herein are not designed for use in medical, life-saving, or life-sustaining applications unless otherwise expressly indicated. Customers using or selling Vishay products not expressly indicated for use in such applications do so entirely at their own risk and agree to fully indemnify Vishay for any damages arising or resulting from such use or sale. Please contact authorized Vishay personnel to obtain written terms and conditions regarding products designed for such applications.

Product names and markings noted herein may be trademarks of their respective owners.



勝特力材料 886-3-5753170  
 勝特力电子(上海) 86-21-34970699  
 勝特力电子(深圳) 86-755-83298787  
[Http://www.100y.com.tw](http://www.100y.com.tw)

# Replacement Table

Vishay

REPLACEMENT SERIES TABLE				
WITHDRAWN SERIES		DESIGN	REMARK	REPLACEMENT SERIES
ORDERING CODE	FORMER PARTNUMBER			
-	2222 054 .....	Snap-In	General purpose, 85 °C	056/057 PSM-SI
-	2222 055 .....	Snap-In	General purpose, 85 °C	056/057 PSM-SI
-	2222 086 .....	Screw Terminal	General purpose, 85 °C	101/102 PHR-ST
-	2222 087 .....	Screw Terminal	General purpose, 85 °C	101/102 PHR-ST
-	2222 088 .....	Screw Terminal	General purpose, 85 °C	101/102 PHR-ST
-	2222 089 .....	Screw Terminal	General purpose, 85 °C	101/102 PHR-ST
-	2222 111 .....	Screw Terminal	General purpose, 85 °C	101/102 PHR-ST
-	2222 112 .....	Screw Terminal	General purpose, 85 °C	101/102 PHR-ST
-	2222 114 .....	Screw Terminal	Long Life, 85 °C	106 PED-ST
-	2222 115 .....	Screw Terminal	Long Life, 85 °C	101/102 PHR-ST
-	2222 154 .....	Screw Terminal	Long Life, 85 °C	101/102 PHR-ST
-	2222 155 .....	Screw Terminal	Long Life, 85 °C	101/102 PHR-ST
-	2222 166 .....	4 Terminal Snap-In	Long Life, 85 °C	Contact sales
-	2222 167 .....	4 Terminal Snap-In	Long Life, 85 °C	Contact sales
-	2222 168 .....	4 Terminal Snap-In	Long Life, 105 °C	Contact sales
-	2222 169 .....	4 Terminal Snap-In	Long Life, 105 °C	Contact sales
-	3148.....	Screw Terminal	High Ripple ≤ 75 V, 105 °C	Contact sales
-	3173.....	Screw Terminal	Long Life, 85 °C	101/102 PHR-ST
-	3186.....	Screw Terminal	General purpose, 85 °C	101/102 PHR-ST
-	3188.....	Screw Terminal	General purpose, 85 °C	101/102 PHR-ST
-	3191.....	Screw Terminal	General purpose, 85 °C	101/102 PHR-ST
-	3198.....	Screw Terminal	General purpose, 105 °C	104 PHL-ST
-	3199.....	Screw Terminal	General purpose, 85 °C	101/102 PHR-ST
-	3500.....	Screw Terminal	Motor Start	No replacement
MALTEYE.....	EYE.....	Screw Terminal	General purpose, 85 °C	101/102 PHR-ST
MALTEYM.....	EYM.....	Screw Terminal	General purpose, 85 °C	101/102 PHR-ST
MALTEYP.....	EYP.....	Screw Terminal	General purpose, 85 °C	101/102 PHR-ST
MALIEYS.....	EYS.....	Snap-In	General purpose ≤ 100 V, 105 °C	EYH
MALIEYS.....	EYS.....	Snap-In	General purpose > 100 V, 85 °C	093 PMG-SI