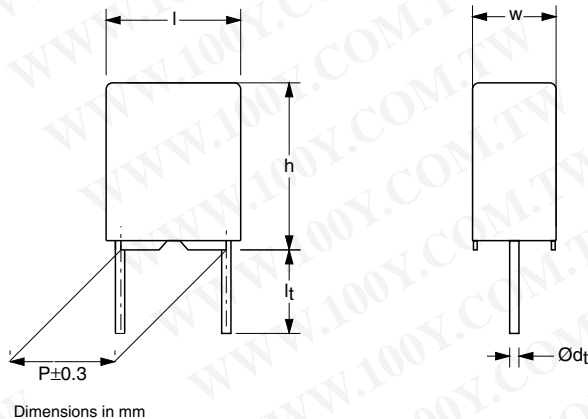


AC and Pulse Metallized Polypropylene Film Capacitors MKP Radial Potted Type



APPLICATIONS

Low losses due to low contact resistance and low loss dielectric make these products suitable for applications where high currents at high frequency occur or high stability is preferred. Their small dimensions make them ideal for circuits with high packaging density.

MARKING

C-value; tolerance; rated voltage; manufacturer's type designation; code for dielectric material; manufacturer's emblem; code for factory of origin; year and week of manufacture

DIELECTRIC

Polypropylene film

ELECTRODES

Metallized film

ENCAPSULATION

Flame retardant plastic case and epoxy resin (UL-class 94 V-0)

CONSTRUCTION

Wound mono construction

LEADS

Tinned wire

CAPACITANCE RANGE (E24 SERIES)

0.0015 to 0.1 μ F

FEATURES

- 5 mm pitch. Supplied loose in box and ammpack
- Lead (Pb)-free product
- RoHS-compliant product



RoHS
COMPLIANT

CAPACITANCE TOLERANCE

$\pm 10\%$; $\pm 5\%$

RATED (DC) VOLTAGE

100 V; 160 V; 250 V; 400 V; 630 V

RATED (AC) VOLTAGE

63 V; 100 V; 160 V; 200 V; 200 V

RATED PEAK-TO-PEAK VOLTAGE

180 V; 280 V; 450 V; 560 V; 560 V

CLIMATIC CATEGORY

55/085/56

RATED TEMPERATURE

85 °C

MAXIMUM APPLICATION TEMPERATURE

85 °C

REFERENCE SPECIFICATIONS

IEC 60384-17

PERFORMANCE GRADE

Grade 1 (long life)

STABILITY GRADE

Grade 2

DETAIL SPECIFICATION

For more detailed data and test requirements see "Type detail specification HQN-384-17/103"

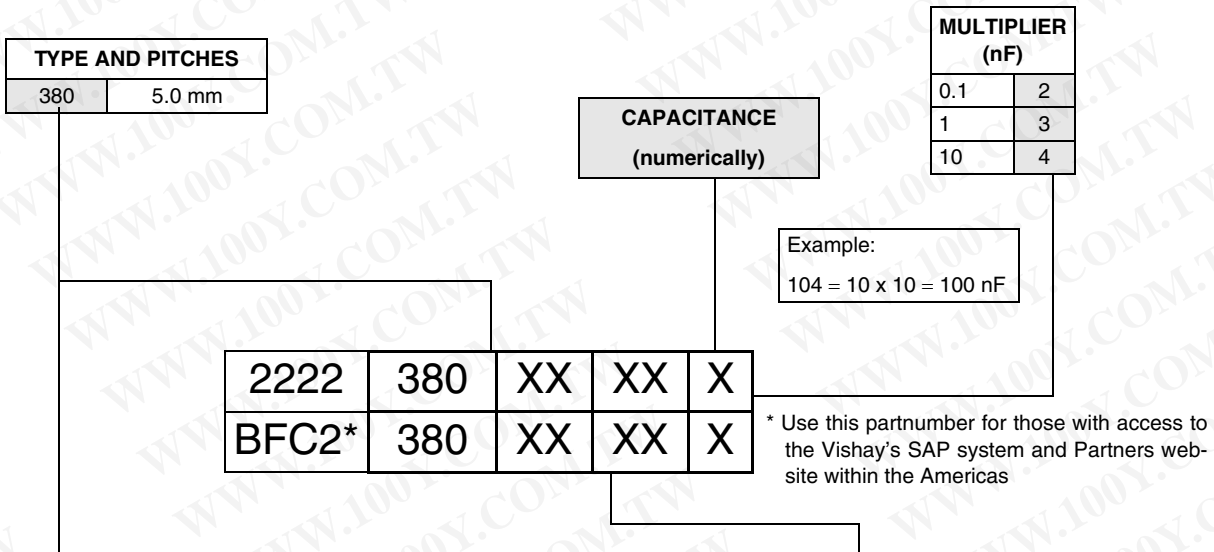
勝特力材料 886-3-5753170
 勝特力电子(上海) 86-21-34970699
 勝特力电子(深圳) 86-755-83298787
[Http://www.100y.com.tw](http://www.100y.com.tw)

MKP 380

Vishay BCcomponents AC and Pulse Metallized Polypropylene Film Capacitors MKP Radial Potted Type



COMPOSITION OF CATALOG NUMBER



TYPE	PACKAGING	LEAD CONFIGURATION	PREFERRED TYPES					
			C-TOL	100 V	160 V	250 V	400 V	630 V
380	ammopack	H = 18.5 mm; P ₀ = 12.7 mm	± 10 %	25	35	45	55	65
			ON REQUEST					
380	ammopack	H = 18.5 mm; P ₀ = 12.7 mm	± 5 %	26	36	46	56	66
	loose in box	lead length 4.0 + 1.0/- 0.5 mm	± 10 %	21	31	41	51	61
			± 5 %	22	32	42	52	62



SPECIFIC REFERENCE DATA (100 VDC)

DESCRIPTION	VALUE	
	at 10 kHz	at 100 kHz
Tangent of loss angle:		
0.018 μF ≤ C ≤ 0.027 μF	≤ 5 × 10 ⁻⁴	≤ 15 × 10 ⁻⁴
0.027 μF < C ≤ 0.075 μF	≤ 5 × 10 ⁻⁴	≤ 20 × 10 ⁻⁴
0.075 μF < C ≤ 0.1 μF	≤ 5 × 10 ⁻⁴	≤ 25 × 10 ⁻⁴
Rated voltage pulse slope (dU/dt) _R at 100 V (DC)	80 V/μs	
R between leads for C ≤ 1.0 μF at 100 V; 1 minute	> 100000 MΩ	
R between interconnected leads and case; 100 V; 1 minute	> 100000 MΩ	
Withstanding (DC) voltage (cut off current 10 mA); rise time 100 V/s	160 V; 1 minute	
Withstanding (DC)voltage between leads and case	2840 V; 1 minute	

U_{Rdc} = 100 V; U_{Rac} = 63 V; U_{p-p} = 180 V

C (μF)	DIMENSIONS W × H × L (mm)	MASS (g)	CATALOG NUMBER 2222 380 AND PACKAGING		
			AMMOPACK		LOOSE IN BOX
			H = 18.5 mm		l _t = 4.0 + 1.0/- 0.5 mm
			C-tol = ± 10 %	SPQ	SPQ
LAST 5 DIGITS OF CATALOG NUMBER					
Pitch = 5.0 ± 0.3 mm; d_t = 0.50 ± 0.05 mm					
0.018	3.5 × 8.0 × 7.2	0.35	25183	1500	2000
0.02			25203		
0.022			25223		
0.024			25243		
0.027			25273		
0.03			25303		
0.033			25333		
0.036	4.5 × 9.0 × 7.2	0.45	25363	1000	2000
0.039			25393		
0.043			25433		
0.047			25473		
0.051	6.0 × 11.0 × 7.2	0.60	25513	750	2000
0.056			25563		
0.062			25623		
0.068			25683		
0.075			25753		
0.082			25823		
0.091			25913		
0.1			25104		

MKP 380

Vishay BCcomponents AC and Pulse Metallized Polypropylene Film Capacitors MKP Radial Potted Type



SPECIFIC REFERENCE DATA (160 VDC)

DESCRIPTION	VALUE	
	at 10 kHz	at 100 kHz
Tangent of loss angle:		
0.013 $\mu\text{F} \leq C \leq 0.027 \mu\text{F}$	$\leq 5 \times 10^{-4}$	$\leq 15 \times 10^{-4}$
0.027 $\mu\text{F} < C \leq 0.068 \mu\text{F}$	$\leq 5 \times 10^{-4}$	$\leq 20 \times 10^{-4}$
Rated voltage pulse slope (dU/dt) _R at 160 V (DC)	80 V/ μs	
R between leads for C $\leq 1.0 \mu\text{F}$ at 100 V; 1 minute	> 100000 M Ω	
R between interconnected leads and case; 100 V; 1 minute	> 100000 M Ω	
Withstanding (DC) voltage (cut off current 10 mA); rise time 100 V/s	256 V; 1 minute	
Withstanding (DC)voltage between leads and case	2840 V; 1 minute	

$U_{Rdc} = 160 \text{ V}$; $U_{Rac} = 100 \text{ V}$; $U_{p-p} = 280 \text{ V}$

C (μF)	DIMENSIONS W x H x L (mm)	MASS (g)	CATALOG NUMBER 2222 380 AND PACKAGING		
			AMMOPACK		LOOSE IN BOX
			H = 18.5 mm		$l_t = 4.0 + 1.0/-0.5 \text{ mm}$
			C-tol = $\pm 10 \%$	SPQ	SPQ
			LAST 5 DIGITS OF CATALOG NUMBER		
Pitch = $5.0 \pm 0.3 \text{ mm}$; $d_t = 0.50 \pm 0.05 \text{ mm}$					
0.013	3.5 x 8.0 x 7.2	0.35	35133	1500	2000
0.015			35153		
0.016			35163		
0.018			35183		
0.02			35203		
0.022			35223		
0.024	4.5 x 9.0 x 7.2	0.45	35243	1000	2000
0.027			35273		
0.03			35303		
0.033			35333		
0.036	6.0 x 11.0 x 7.2	0.60	35363	750	2000
0.039			35393		
0.043			35433		
0.047			35473		
0.051			35513		
0.056			35563		
0.062			35623		
0.068			35683		



SPECIFIC REFERENCE DATA (250 VDC)

DESCRIPTION	VALUE	
	at 10 kHz	at 100 kHz
Tangent of loss angle: 0.0091 μF ≤ C ≤ 0.027 μF 0.027 μF < C ≤ 0.043 μF	≤ 5 × 10 ⁻⁴ ≤ 5 × 10 ⁻⁴	≤ 15 × 10 ⁻⁴ ≤ 20 × 10 ⁻⁴
Rated voltage pulse slope (dU/dt) _R at 250 V (DC)	90 V/μs	
R between leads for C ≤ 1.0 μF at 100 V; 1 minute	> 100000 MΩ	
R between interconnected leads and case; 100 V; 1 minute	> 100000 MΩ	
Withstanding (DC) voltage (cut off current 10 mA); rise time 100 V/s	400 V; 1 minute	
Withstanding (DC)voltage between leads and case	2840 V; 1 minute	

U_{Rdc} = 250 V; U_{Rac} = 160 V; U_{p-p} = 450 V

C (μF)	DIMENSIONS W × H × L (mm)	MASS (g)	CATALOG NUMBER 2222 380 AND PACKAGING		
			AMMOPACK		LOOSE IN BOX
			H = 18.5 mm		l _t = 4.0 + 1.0/- 0.5 mm
			C-tol = ± 10 %	SPQ	SPQ
LAST 5 DIGITS OF CATALOG NUMBER					
Pitch = 5.0 ± 0.3 mm; d_t = 0.50 ± 0.05 mm					
0.0091 0.01 0.011 0.012 0.013 0.015	3.5 × 8.0 × 7.2	0.35	45912 45103 45113 45123 45133 45153	1500	2000
0.016 0.018 0.02 0.022 0.024	4.5 × 9.0 × 7.2	0.45	45163 45183 45203 45223 45243	1000	2000
0.027 0.03 0.033 0.036 0.039 0.043	6.0 × 11.0 × 7.2	0.60	45273 45303 45333 45363 45393 45433	750	2000

MKP 380

Vishay BCcomponents AC and Pulse Metallized Polypropylene Film Capacitors MKP Radial Potted Type



SPECIFIC REFERENCE DATA (400 VDC)

DESCRIPTION	VALUE	
	at 10 kHz	at 100 kHz
Tangent of loss angle: 0.0043 $\mu\text{F} \leq C \leq 0.0091 \mu\text{F}$ 0.0091 $\mu\text{F} < C \leq 0.02 \mu\text{F}$	$\leq 5 \times 10^{-4}$ $\leq 5 \times 10^{-4}$	$\leq 10 \times 10^{-4}$ $\leq 15 \times 10^{-4}$
Rated voltage pulse slope (dU/dt) _R at 400 V (DC)	100 V/ μs	
R between leads for C $\leq 1.0 \mu\text{F}$ at 100 V; 1 minute	> 100000 M Ω	
R between interconnected leads and case; 100 V; 1 minute	> 100000 M Ω	
Withstanding (DC) voltage (cut off current 10 mA); rise time 100 V/s	640 V; 1 minute	
Withstanding (DC)voltage between leads and case	2840 V; 1 minute	

$U_{Rdc} = 400 \text{ V}$; $U_{Rac} = 200 \text{ V}$; $U_{p-p} = 560 \text{ V}$

C (μF)	DIMENSIONS W x H x L (mm)	MASS (g)	CATALOG NUMBER 2222 380 AND PACKAGING		
			AMMOPACK		LOOSE IN BOX
			H = 18.5 mm		$l_t = 4.0 + 1.0/-0.5 \text{ mm}$
			C-tol = $\pm 10 \%$	SPQ	SPQ
			LAST 5 DIGITS OF CATALOG NUMBER		
Pitch = $5.0 \pm 0.3 \text{ mm}$; $d_t = 0.50 \pm 0.05 \text{ mm}$					
0.0043 0.0047 0.0051 0.0056 0.0062 0.0068 0.0075 0.0082	3.5 x 8.0 x 7.2	0.35	55432 55472 55512 55562 55622 55682 55752 55822	1500	2000
0.0091 0.01 0.011 0.012	4.5 x 9.0 x 7.2	0.45	55912 55103 55113 55123	1000	2000
0.013 0.015 0.016 0.018 0.02	6.0 x 11.0 x 7.2	0.60	55133 55153 55163 55183 55203	750	2000



SPECIFIC REFERENCE DATA (630 VDC)

DESCRIPTION	VALUE	
Tangent of loss angle: 0.0015 $\mu\text{F} \leq C \leq 0.0091 \mu\text{F}$ 0.0091 $\mu\text{F} < C \leq 0.01 \mu\text{F}$	at 10 kHz	at 100 kHz
	$\leq 5 \times 10^{-4}$	$\leq 10 \times 10^{-4}$
	$\leq 5 \times 10^{-4}$	$\leq 15 \times 10^{-4}$
Rated voltage pulse slope (dU/dt) _R at 630 V (DC)	120 V/ μs	
R between leads for $C \leq 1.0 \mu\text{F}$ at 500 V; 1 minute	$> 100000 \text{ M}\Omega$	
R between interconnected leads and case; 500 V; 1 minute	$> 100000 \text{ M}\Omega$	
Withstanding (DC) voltage (cut off current 10 mA); rise time 100 V/s	880 V; 1 minute	
Withstanding (DC)voltage between leads and case	2840 V; 1 minute	

U_{Rdc} = 630 V; U_{Rac} = 200 V; U_{p-p} = 560 V

C (μF)	DIMENSIONS W x H x L (mm)	MASS (g)	CATALOG NUMBER 2222 380 AND PACKAGING		
			AMMOPACK		LOOSE IN BOX
			H = 18.5 mm		$l_t = 4.0 + 1.0/-0.5 \text{ mm}$
			C-tol = $\pm 10 \%$	SPQ	SPQ
			LAST 5 DIGITS OF CATALOG NUMBER		
Pitch = $5.0 \pm 0.3 \text{ mm}$; $d_t = 0.50 \pm 0.05 \text{ mm}$					
0.0015 0.0016 0.0018 0.002 0.0022 0.0024 0.0027 0.003 0.0033 0.0036 0.0039	3.5 x 8.0 x 7.2	0.35	65152 65162 65182 65202 65222 65242 65272 65302 65332 65362 65392	1500	2000
0.0043 0.0047 0.0051 0.0056	4.5 x 9.0 x 7.2	0.45	65432 65472 65512 65562	1000	2000
0.0062 0.0068 0.0075 0.0082 0.0091 0.01	6.0 x 11.0 x 7.2	0.60	65622 65682 65752 65822 65912 65103	750	2000



Disclaimer

ALL PRODUCT, PRODUCT SPECIFICATIONS AND DATA ARE SUBJECT TO CHANGE WITHOUT NOTICE TO IMPROVE RELIABILITY, FUNCTION OR DESIGN OR OTHERWISE.

Vishay Intertechnology, Inc., its affiliates, agents, and employees, and all persons acting on its or their behalf (collectively, "Vishay"), disclaim any and all liability for any errors, inaccuracies or incompleteness contained in any datasheet or in any other disclosure relating to any product.

Vishay makes no warranty, representation or guarantee regarding the suitability of the products for any particular purpose or the continuing production of any product. To the maximum extent permitted by applicable law, Vishay disclaims (i) any and all liability arising out of the application or use of any product, (ii) any and all liability, including without limitation special, consequential or incidental damages, and (iii) any and all implied warranties, including warranties of fitness for particular purpose, non-infringement and merchantability.

Statements regarding the suitability of products for certain types of applications are based on Vishay's knowledge of typical requirements that are often placed on Vishay products in generic applications. Such statements are not binding statements about the suitability of products for a particular application. It is the customer's responsibility to validate that a particular product with the properties described in the product specification is suitable for use in a particular application. Parameters provided in datasheets and/or specifications may vary in different applications and performance may vary over time. All operating parameters, including typical parameters, must be validated for each customer application by the customer's technical experts. Product specifications do not expand or otherwise modify Vishay's terms and conditions of purchase, including but not limited to the warranty expressed therein.

Except as expressly indicated in writing, Vishay products are not designed for use in medical, life-saving, or life-sustaining applications or for any other application in which the failure of the Vishay product could result in personal injury or death. Customers using or selling Vishay products not expressly indicated for use in such applications do so at their own risk and agree to fully indemnify and hold Vishay and its distributors harmless from and against any and all claims, liabilities, expenses and damages arising or resulting in connection with such use or sale, including attorneys fees, even if such claim alleges that Vishay or its distributor was negligent regarding the design or manufacture of the part. Please contact authorized Vishay personnel to obtain written terms and conditions regarding products designed for such applications.

No license, express or implied, by estoppel or otherwise, to any intellectual property rights is granted by this document or by any conduct of Vishay. Product names and markings noted herein may be trademarks of their respective owners.