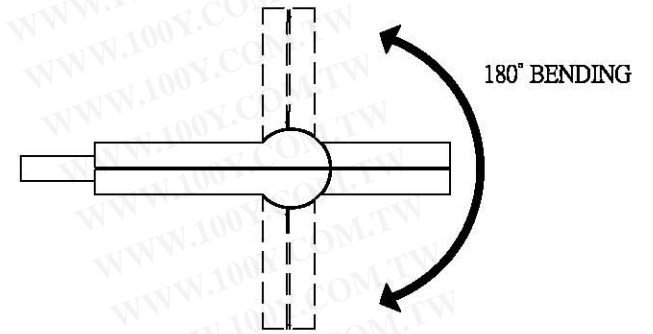
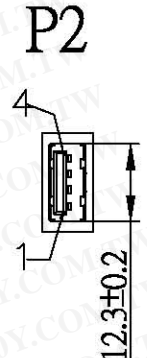
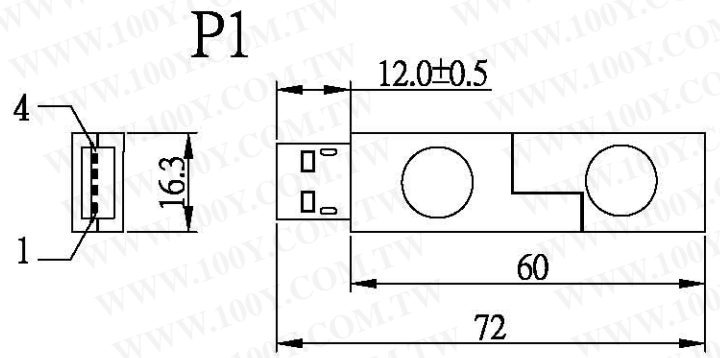


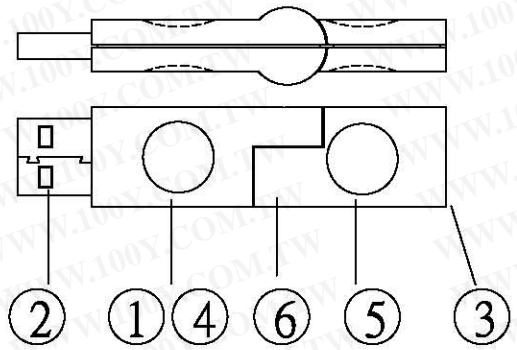


Quality Requirement
 Continuity: 1Ω
 Insulation resistance: 10MΩ
 Withstand Voltage:0.05Sec DC300V

ECN NO.	REV	MODIFICATION	DATE	DRAW	APPROVE
	B	修模尺寸變更	2011.05.20	JULY	ALAN



CONNECTIONS		
P1	COLOR	P2
1	RED	1
2	WHITE	2
3	GREEN	3
4	BLACK	4
SHELL		SHELL



勝特力材料 886-3-5753170
 勝特力电子(上海) 86-21-34970699
 勝特力电子(深圳) 86-755-83298787
[Http://www.100y.com.tw](http://www.100y.com.tw)

Item	Name & Description	QTY
1	NONUL 31#(9/0.08TA)*4C+ES OD:2.25±0.1mm BLACK(K001)JACKET	1PCS
2	USB A TYPE MALE WHITE INSULATION TERMINAL PLATED GOLD FLASH SHELL PLATED	1PCS
	NI SOLDER TYPE	
3	USB A TYPE FEMALE WHITE INSULATION TERMINAL PLATED GOLD FLASH SHELL PLATED	1PCS
	NI SOLDER TYPE	
4	USB A TYPE FEMALE BLACK ABS TOP AND BOTTOM PLASTIC ASEMBLY	1SET
5	USB A TYPE MALE BLACK ABS TOP AND BOTTOM PLASTIC ASEMBLY	1SET
6	An elastic band with transparent silica gel	1SET

Inspection Item	DIMENSION IN mm [Inch]		DWG NO. HL-6269-B	FILE NO. HL-25.10556.001
	TOLERANCE UNLESS OTHERWISE SPECIFIED			
	X ± ±1	X ± 3°	TITLE USB_A Adapter Male to Female(Black)	
	XX ± ±0.5	XX ± 2°		
Unit: MM		CUSTOMER COPY		
APPROVE JACK	CHECK ALAN	DRAW JULY	PROJ. SCALE 1:1	SHEET P / TP REV B