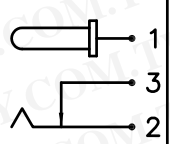
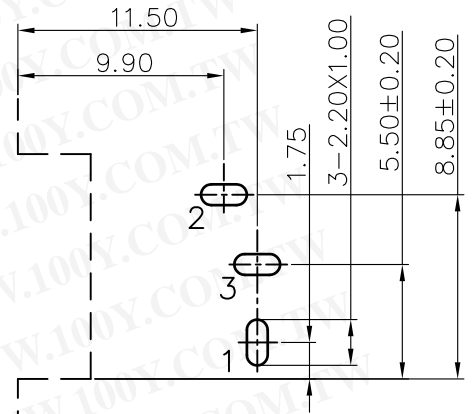
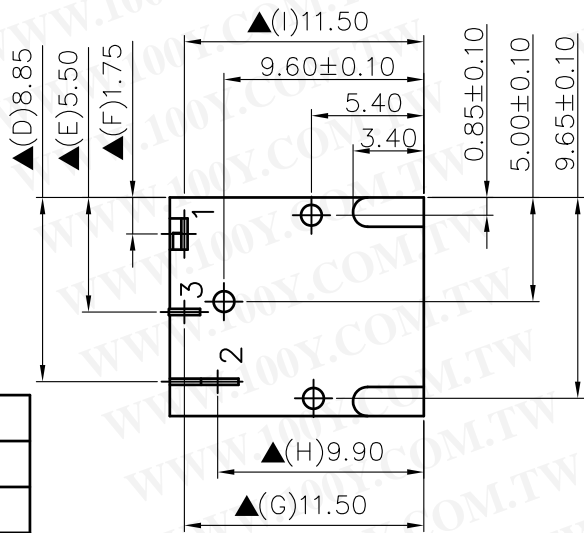
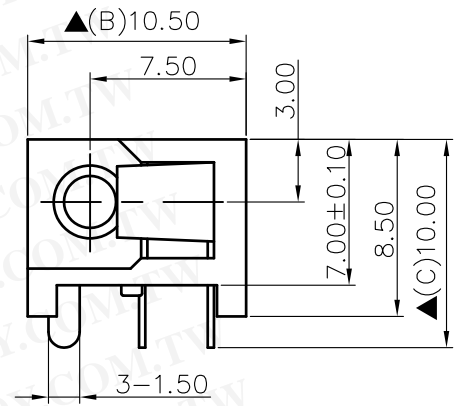
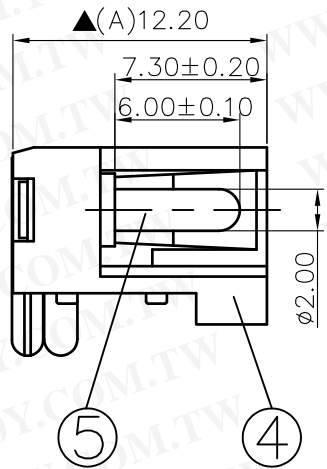
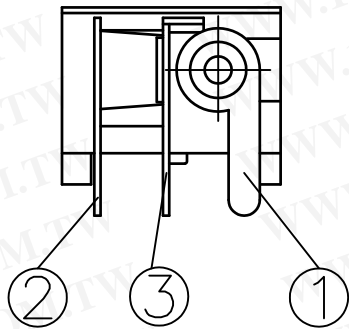


SCHEMATIC	
MOEL NO	C




Pin Hole Layout
(Jack Bottom View)

5.	Pin(2.0φ)	Copper	1	Nickel Plated
4.	Housing	PBT	1	Black color
3.	Break Terminal	0.4T Brass	1	Silver Plated
2.	Sleeve Spring	0.3T Phosphor Bronze	1	Silver Plated
1.	Pin Terminal	0.3T Brass	1	Silver Plated
NO.	Description	Material	Q'TY	Finish

DATE	DWN	CHKD	APVD	MANAGER
11.07.2012				

勝特力材料 886-3-5753170
 勝特力电子(上海) 86-21-34970699
 勝特力电子(深圳) 86-755-83298787
[Http://www.100y.com.tw](http://www.100y.com.tw)

RoHS Compliant For Reference 僅供參考

PART NAME :DC POWER JACK	PART NUMBER:	VERSION:7.0
TOLERANCE :±0.3mm UNLESS OTHERWISE SPECIFIED	UNIT:mm 	SCALE:1/1

SPECIFICATIONS:
 Contact Resistance : 30mΩ max
 Current Rating : Max 5.0A , 24V DC
 Insulation Resistance : 100MΩ min. at DC 500V
 Dielectric Withstanding Voltage: AC 500V for one minute
 Remark: ▲ : The Most Important Dimension