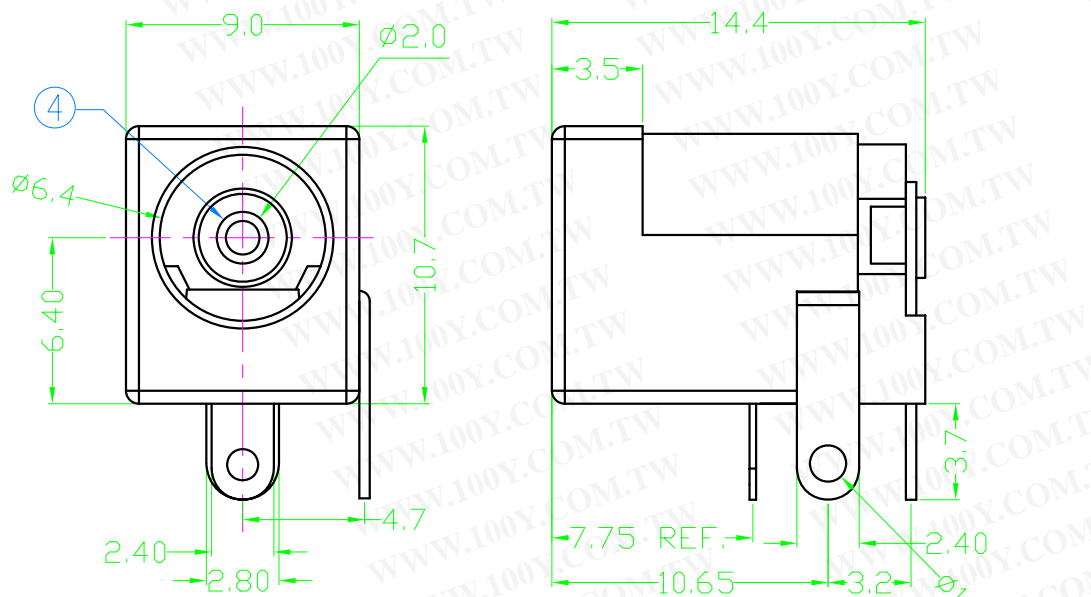
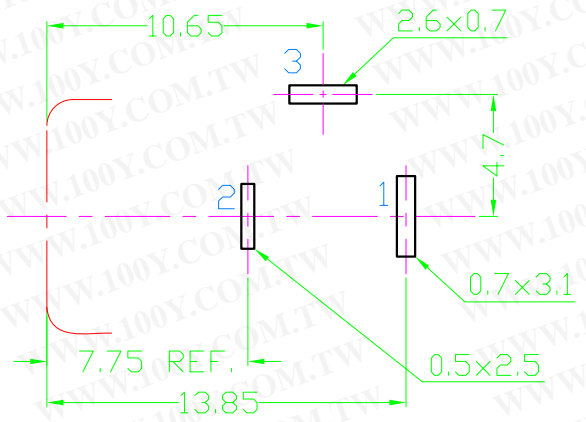
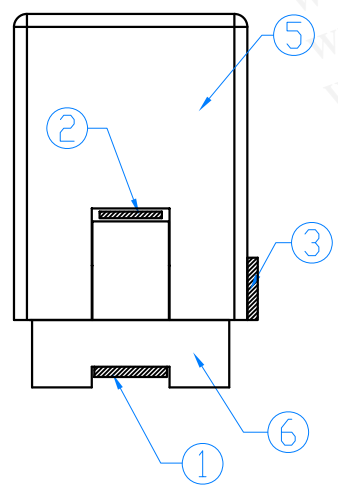


REV	ZONE	REVISION	DATE

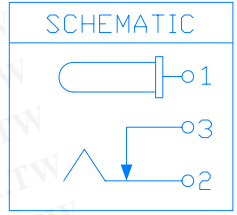


NO.	NAME	MATERIAL	FINISH	Q'TY
1	PIN TERM.	BRASS T:0.4	TIN PLATED	1
2	SLEEVE TERM.	PBS T:0.25	TIN PLATED	1
3	BREAK TERM.	BRASS T:0.4	TIN PLATED	1
4	CENTER PIN	BRASS $\phi$ 2.0	NICKEL PLATED	1
5	HOUSING	PBT G.F.	BLACK	1
6	BACK COVER	PBT G.F.	BLACK	1



PCB LAYOUT  
(BOTTOM VIEW)

**Green Product**



**Specification:**  
 Contact Resistance: 30m Ohm Max. At AC 100mA Max .1KHz  
 Insulation Resistance: 100M Ohm Min. At 500V DC  
 Rated Voltage And Current: DC12V. 2A Max; AC 100V. 1A Max  
 Dielectric Withstanding Voltage: 500V AC for 1 Minute  
 Insertion Force: 3.0Kg Maximum.  
 Extraction Force: 0.3Kg Maximum.

勝特力材料 86-3-5753170  
 勝特力电子(上海) 86-21-34970699  
 勝特力电子(深圳) 86-755-83298787  
[Http://www.100y.com.tw](http://www.100y.com.tw)

COMPUTER NO.	UNIT	SCALE	PART NAME			
D:\DWG\KD-014-L	mm	1:1	DC POWER JACK			
APPD.	CKD.	DWG.	DATE	TOLERANCE	PART NO.	REV.
TINA			01-06-10	X. +0.38 .X ±0.25 .XX ±0.13 .XXX ±0.05		A0

MODEL	KD-014-L	PAGE 1 OF 1
-------	----------	-------------