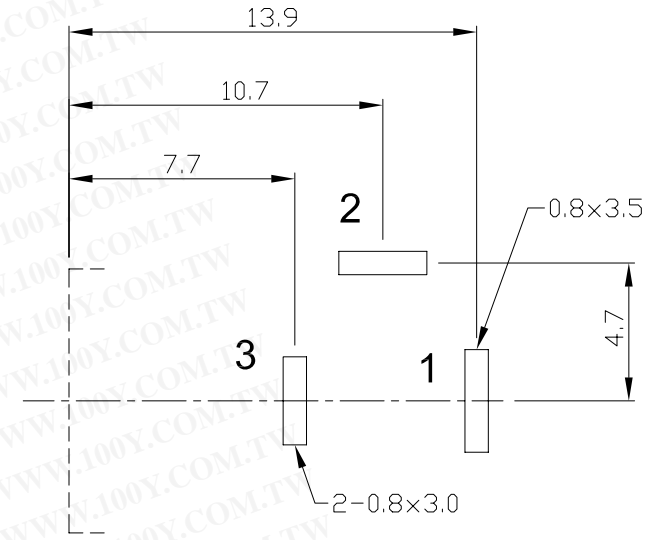
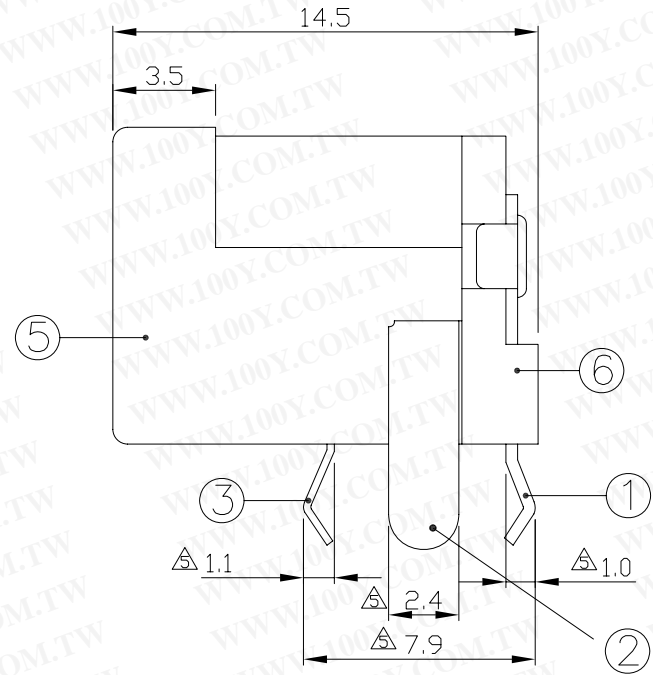
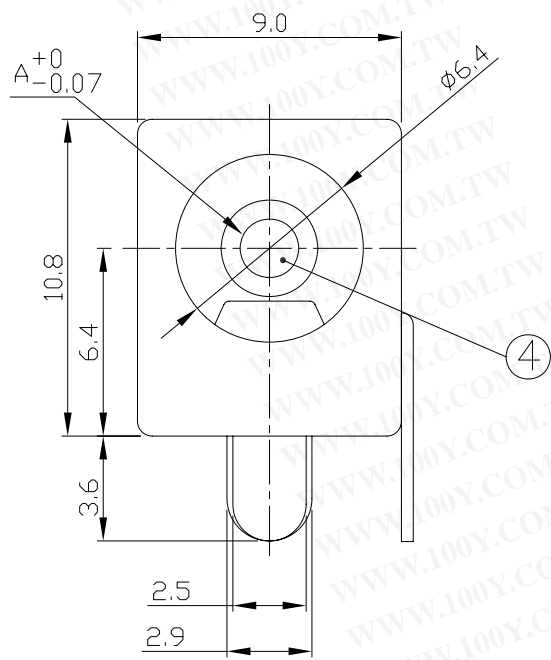
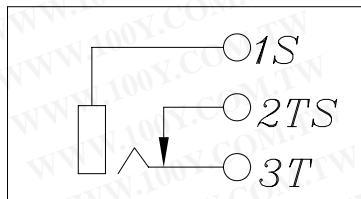
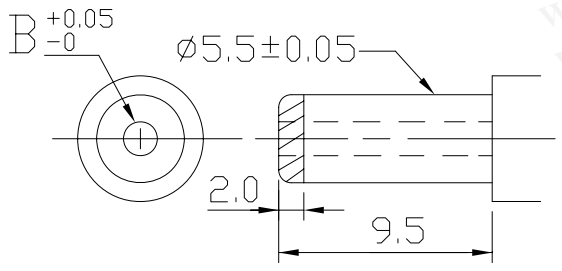


HISTORY X COUNT	DATE	ECN NO.	REV.	REVISION	SIGN.
△ x1	11/MAY/09'		E	增加項目標示。	CHRIS
△ x7	24/JUN/09'	N200906001	F	1·增加項目標示；2·變更電鍍材質。	LEO
△ x1	28/APR/11'	N201104004	G	變更COVER材質，由PA6T改為PBT。	CHRIS



PLUG



勝特力材料 886-3-5753170
 勝特力电子(上海) 86-21-34970699
 勝特力电子(深圳) 86-755-83298787
[Http://www.100y.com.tw](http://www.100y.com.tw)

P.C.B LAYOUT(±0.1)
(BOTTOM VIEW)

P/N	Dimension	
	A	B
LD-0202A-2.0	∅2.0	∅2.05
LD-0202A-2.5	∅2.5	∅2.55



LIH SHENG PRECISION INDUSTRIAL CO., LTD.

NO	PART NAME	Q'TY	MATERIAL	PLATED	REMARK
6	COVER	1	PBT		BLACK
5	HOUSING	1	PBT		BLACK
4	PIN	1	BRASS	NICKEL	
3	TIP	1	P.B.S	MATTE TIN	
2	TIP SHUNT	1	BRASS	MATTE TIN	
1	TERMINAL	1	BRASS	MATTE TIN	

TOLERANCE X ±0.5	Material	PART NAME	DC POWER JACK		
X.X ±0.3	Thicness		PART NO.	LD-0202A-	
X.XX ±0.15	Disposal	DATE	06/24/09'	REV:	G
UNIT mm	SCALE	DRAW	CHECK	APPROVE	
	4:1	LEO	Vicky	Chris	