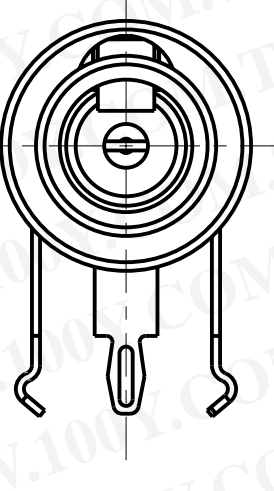
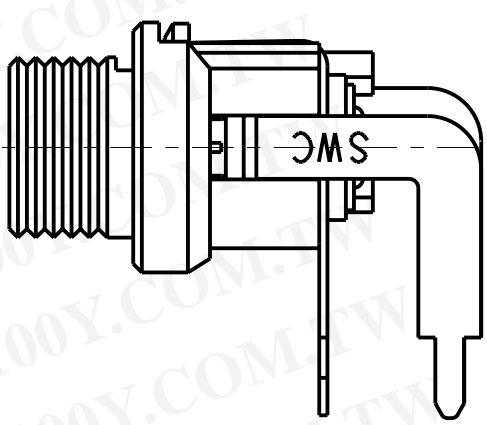
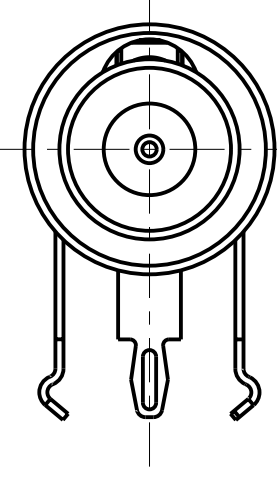
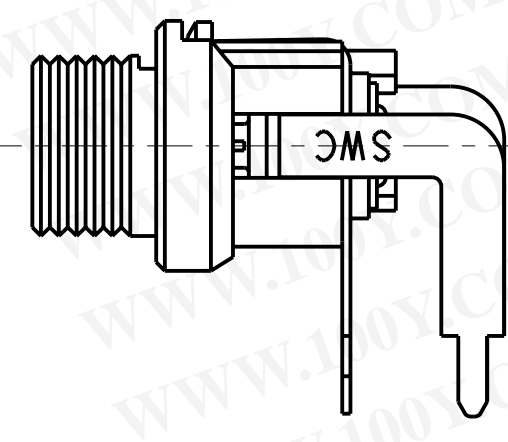


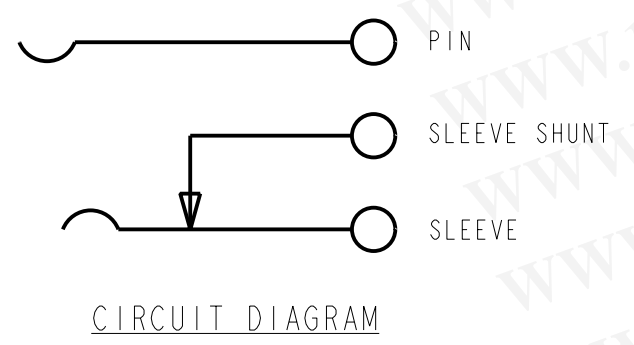
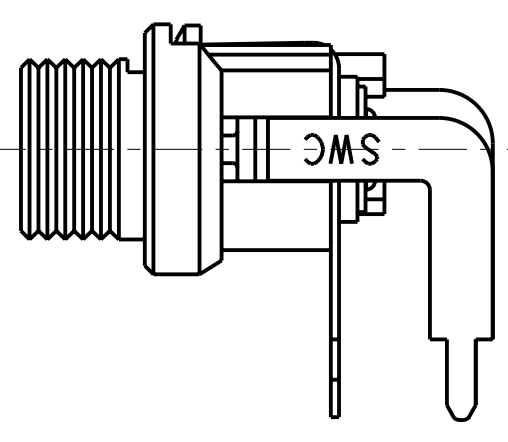
712RA  
(CENTER PIN Ø0.098)  
SCALE 3:1



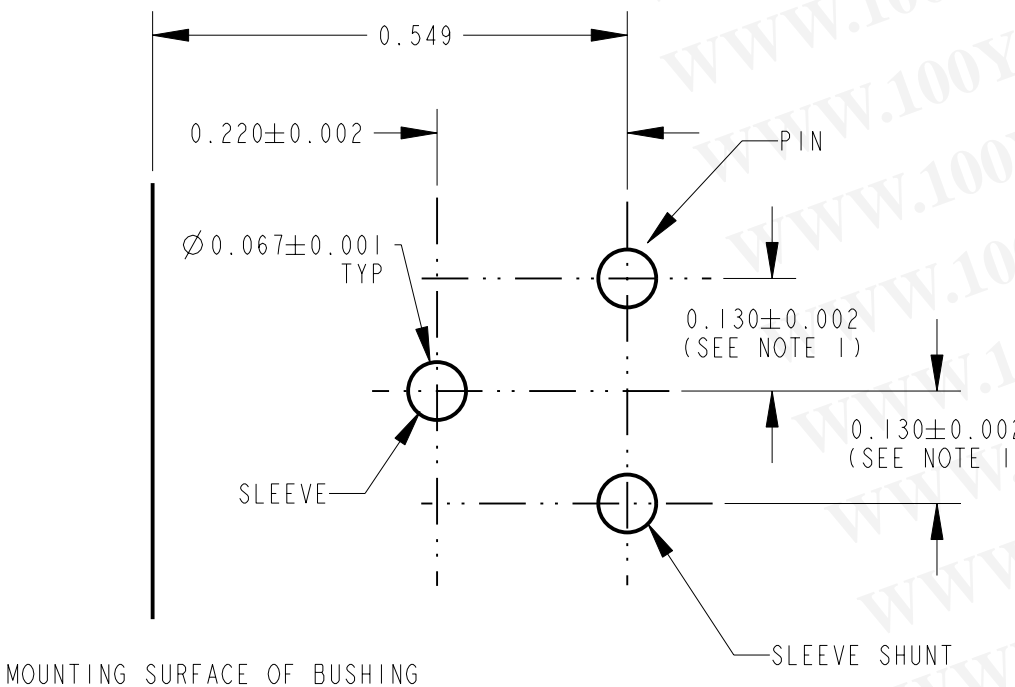
722RA  
(CENTER PIN Ø0.076)  
SCALE 3:1



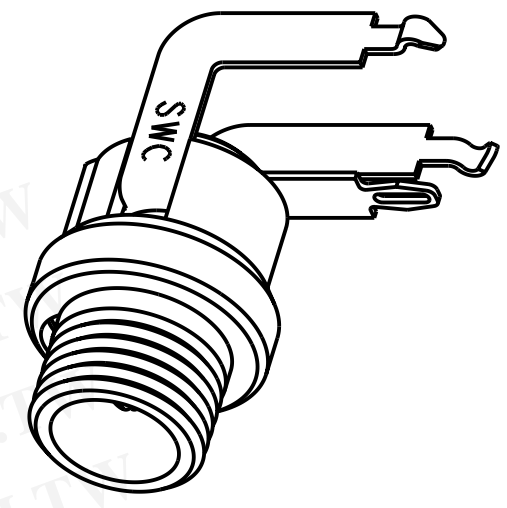
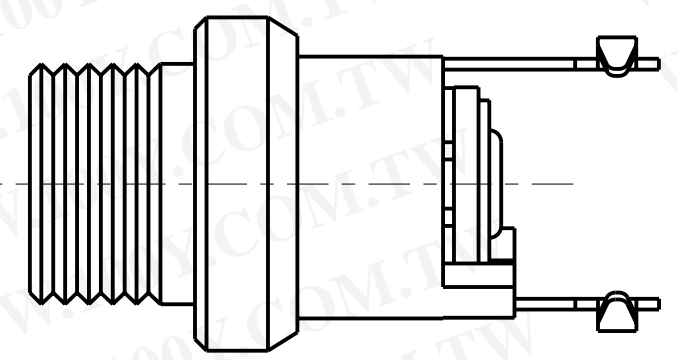
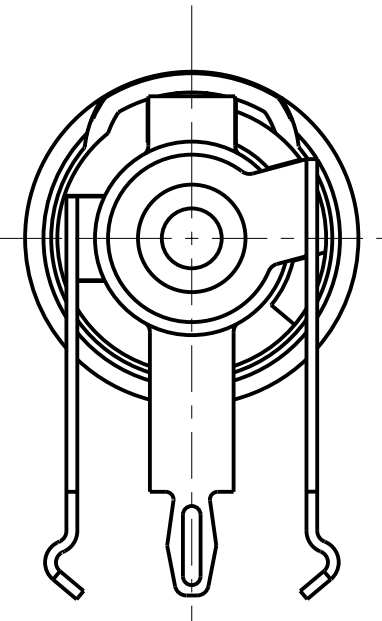
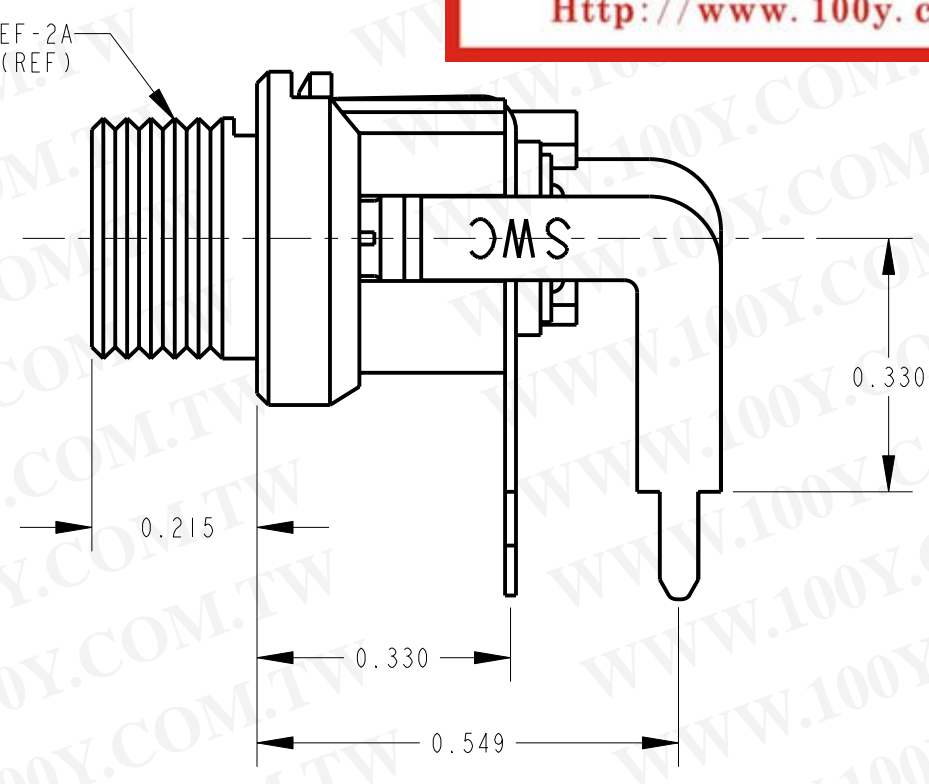
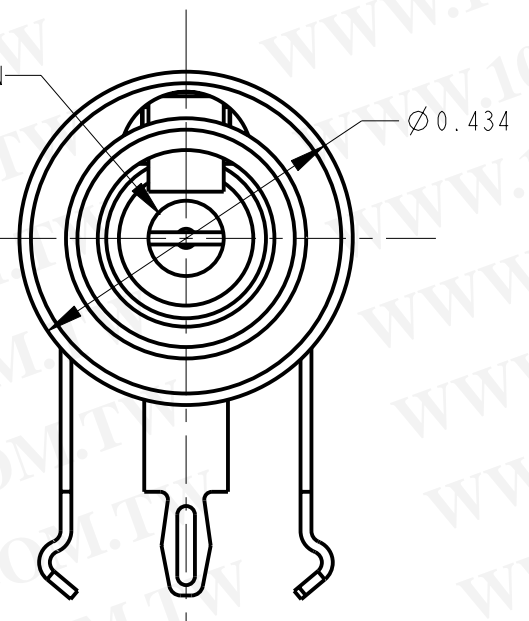
732RA  
(CENTER PIN Ø0.048)  
SCALE 3:1



勝特力材料 886-3-5753170  
勝特力电子(上海) 86-21-34970699  
勝特力电子(深圳) 86-755-83298787  
[Http://www.100y.com.tw](http://www.100y.com.tw)



RECOMMENDED PANEL LAYOUT  
(COMPONENT SIDE)



MATERIAL:

- MOUNTING BUSHING: COPPER ALLOY, NICKEL PLATED
- HOUSING: THERMOPLASTIC, BLACK
- PIN, SPRING AND TERMINALS: COPPER ALLOY, SILVER PLATED
- INSULATORS: PHENOLIC
- HARDWARE: HEX NUT: COPPER ALLOY, NICKEL PLATED  
FLAT WASHER: STEEL, NICKEL PLATED (NOT SHOWN)

NOTE:  
1. FOR HAND INSERTION USE 0.130,  
FOR AUTOMATED INSERTION USE 0.135.

REV	ECO NUMBER	DATE	BY	APVD
B	22992	9-1-99	JL	DK
A	RELEASE TO PROD. ECO #22661	3-4-99	MM	JF
REVISIONS				

★ STAR SYMBOL DENOTES CRITICAL DIMENSION

UNLESS OTHERWISE SPECIFIED

1. ALL DIMENSIONS IN INCHES  
- TWO PLACE DECIMALS ±0.01  
- THREE PLACE DECIMALS ±0.005  
- ANGLES ±1°  
- ALL DIA. CONCENTRIC WITHIN 0.005 T.I.R.

2. FEATURES ON THE SAME CENTERLINE MUST BE ALIGNED WITHIN ±0.002

3. REMOVE ALL BURRS

DO NOT SCALE DRAWING

THIS DRAWING DESCRIBES A DESIGN CONSIDERED PROPRIETARY IN NATURE, DEVELOPED AND MANUFACTURED BY SWITCHCRAFT INC. AND IS RELEASED ON A CONFIDENTIAL BASIS FOR IDENTIFICATION PURPOSES ONLY.				
SIZE	WIDTH	MULT	LBS/M	TEMPER
FINISH		MATERIAL		
SPEC No.		SPEC No.		
FIRST USED ON		SCALE		
		3:1		
DATE DRAWN	BY	CHKD	APVD	<b>Switchcraft</b>
4-MAR-99	MM	3-4-99	JF	
NAME		RIGHT ANGLE POWER JACK		PART No.
				7__RA_SERIES
				REV
				B

CUSTOMER DRAWING