

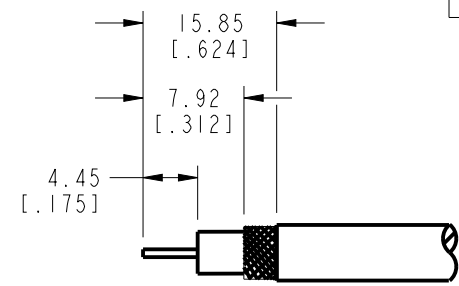
NOTES:

1. MATERIALS AND FINISHES:
 BODY - BRASS, NICKEL PLATING
 CONTACT PIN - BRASS, GOLD PLATING
 INSULATOR - PTFE, NATURAL
2. ELECTRICAL:
 A. IMPEDANCE: 75 OHM
 B. FREQUENCY RANGE: DC - 12 GHz
 C. RETURN LOSS: 30 dB MIN @ DC - 6 GHz
 15 dB MIN @ 6 - 12 GHz
 D. DIELECTRIC WITHSTANDING VOLTAGE: 1500 VRMS, MIN.
3. MECHANICAL:
 A. DURABILITY: 500 CYCLES MIN.
 B. TEMPERATURE RANGE: -30° C TO + 75° C
4. CRIMPED FERRULE
 HEX. CRIMP SIZE .178'
5. CRIMPED CONTACT PIN
 HEX. CRIMP SIZE .042'

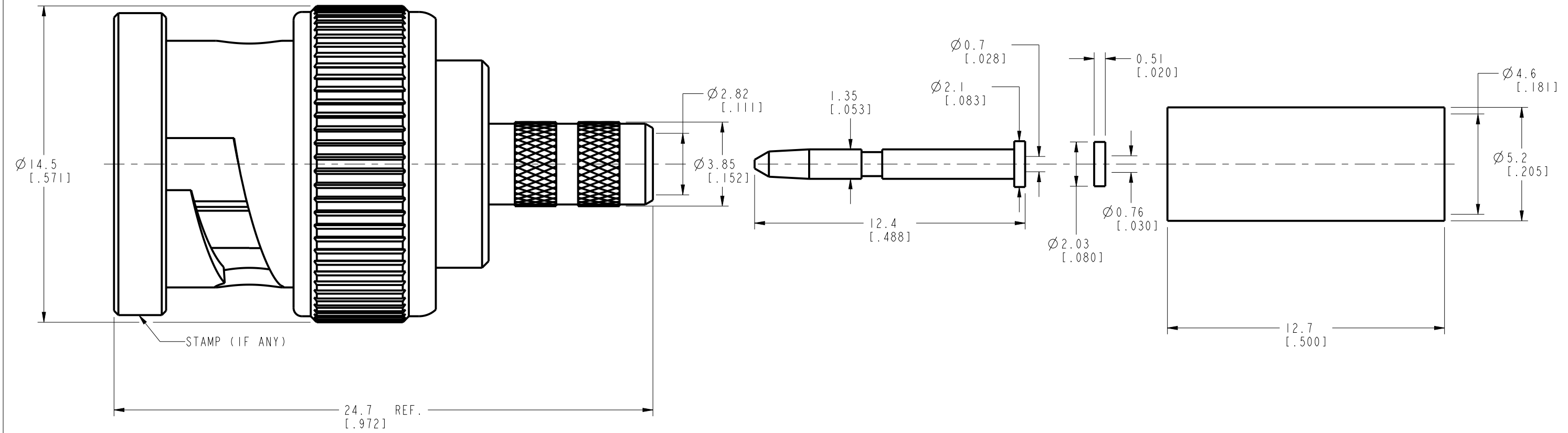
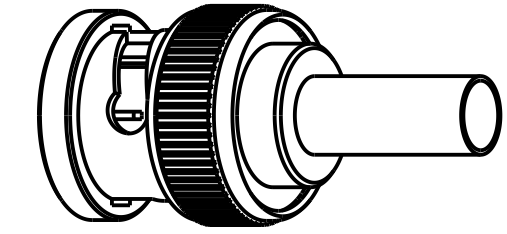
THIRD ANGLE PROJ.

REVISIONS

REV	DESCRIPTION	DATE	ECO	APPR
A	RELEASE TO MFG.	30-Mar-17	03362	KCE



RECOMMENDED CABLE AND STRIPPING LENGTH
 NOT TO SCALE



CUSTOMER OUTLINE DRAWING
 ALL OTHER SHEETS ARE FOR INTERNAL USE ONLY

UNLESS OTHERWISE SPECIFIED, DIMENSIONS ARE IN METRIC AND TOLERANCES ARE: <0.5mm ±0.05mm 0.5 - 6mm ±0.1mm 6 - 30mm ±0.2mm 30 - 120mm ±0.3mm ANGLES ±1°	MATERIAL	---	DRAWN	K. ELMES	DATE	13-Mar-17	TITLE BNC CRIMP PLUG-75 OHM (BELDEN 1855A/4855R CABLE)	Amphenol RF www.amphenolrf.com		
	NOTICE - These drawings, specifications, or other data (1) are, and remain the property of Amphenol corp. (2) must be returned upon request; and (3) are confidential and not to be disclosed to any person other than those to whom they are given by Amphenol Corp. the furnishing of these drawings, specifications, or other data by Amphenol Corp., or to any other person to anyone for any purpose is not to be regarded by implication or otherwise in any manner licensing, granting rights to permitting such holder or any other person to manufacture, use or sell any product, process or design, patented or otherwise, that may in any way be related to or disclosed by said drawings, specifications, or other data.	REFERENCE	EAR# ---- AND EXP#	ENGINEER	K. ELMES	DATE			13-Mar-17	DRAWING NO.
	CONFIGURATION LEVEL:	In Work	APPROVED	K. CAPOZZI	DATE	30-Mar-17	SCALE: 2.0:1.0	SHEET	2 OF 2	
	FINISH		CAD FILE		DWG SIZE	B	REV	A	PART NO.	31-70537-12G

Mouser Electronics

Authorized Distributor

Click to View Pricing, Inventory, Delivery & Lifecycle Information:

[Amphenol:](#)

[031-70537-12G](#)