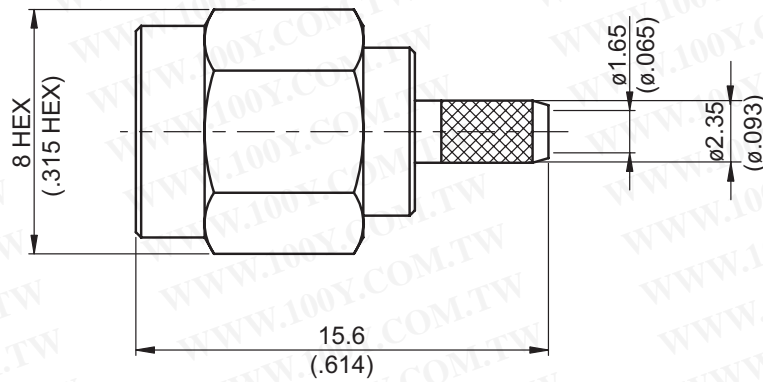


勝特力材料 886-3-5753170
 勝特力电子(上海) 86-21-34970699
 勝特力电子(深圳) 86-755-83298787
[Http://www.100y.com.tw](http://www.100y.com.tw)

SMA3100-0316

SMA Plug Crimp

50Ω



| Parts | Material | Plating (Micro-inch) |
|--------------|------------------|--|
| Ferrule | Brass | Gold 5 Over Nickel 50 Over Copper 50 |
| Contact Pin | Brass | Gold 20 Over Nickel 50 Over Copper 50 |
| Renber Ring | Beryllium Copper | Tin-Zinc-Copper-Alloy 100 Over Copper 50 |
| Gasket | Silicon | |
| Insulator | Teflon | |
| Body | Brass | Gold 5 Over Nickel 50 Over Copper 50 |
| Coupling Nut | Brass | Gold 5 Over Nickel 50 Over Copper 50 |

Weight: 3.06 g

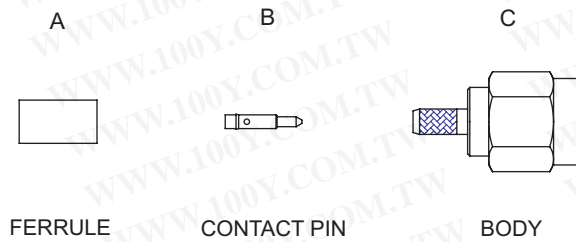
Suitable Cables: RG174, RG188, RG316, RG316-E, RG316-FEP

This part number complies with RoHS.

CABLE ASSEMBLY INSTRUCTION

SMA3100-0316

JYE BAO CO., LTD.



| DIAGRAM | ASSEMBLY INSTRUCTION |
|---------|--|
| | <p>Step 1: STRIP AS SHOWN.</p> |
| | <p>Step 2: SLIDE FERRULE "A" OVER CABLE. Step 3: PUT PIN "B" ON CENTER CONDUCTOR AND SOLDER IN "Y".</p> |
| | <p>Step 4: LOOSEN BRAIDING AND SLIDE CONNECTOR "C" IN PLACE.</p> |
| | <p>Step 5: SLIDE FERRULE "A" TOWARDS THE CONNECTOR "C" AND CRIMP.</p> |

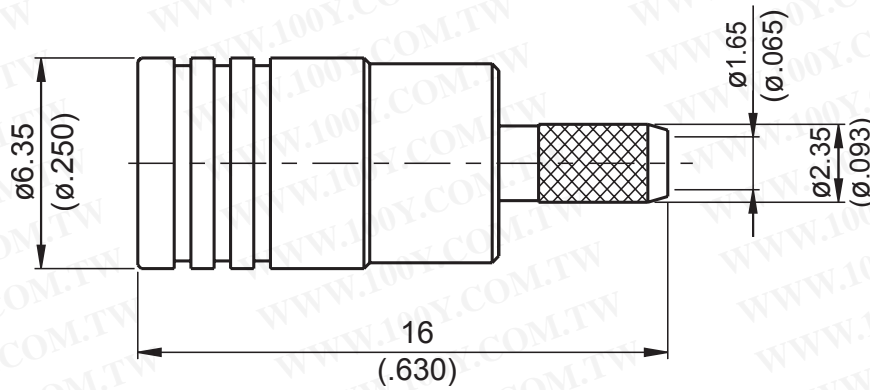
This part number complies with RoHS.

勝特力材料 886-3-5753170
 勝特力电子(上海) 86-21-34970699
 勝特力电子(深圳) 86-755-83298787
[Http://www.100y.com.tw](http://www.100y.com.tw)

SMB3100-0316

SMB Plug Crimp

50Ω



| Parts | Material | Plating (Micro-inch) |
|---------------|------------------|--|
| Ferrule | Brass | Gold 5 Over Nickel 50 Over Copper 50 |
| Contact Pin | Beryllium Copper | Gold 20 Over Nickel 50 Over Copper 50 |
| Retainer Ring | Beryllium Copper | Tin-Zinc-Copper-Alloy 100 Over Copper 50 |
| Insulator | Teflon | |
| Body | Brass | Gold 5 Over Nickel 50 Over Copper 50 |

Weight: 2.12 g

Suitable Cables: RG174, RG188, RG316, JBY100, RG316-E, RG316-FEP

| RG TYPE COAXIAL CABLE | | RG316 | |
|-----------------------------------|--|-------------|--------------------|
| DIMENSIONS | | | |
| Center Conductor Diameter | | | |
| (inch) | | | 0.02 |
| (mm) | | | 0.51 |
| Dielectric Diameter | | | |
| (inch) | | | 0.06 |
| (mm) | | | 1.52 |
| Braid Diameter | | | |
| (inch) | | | 0.078 |
| (mm) | | | 1.98 |
| Jacket | | | |
| (inch) | | | 0.098 |
| (mm) | | | 2.49 |
| MATERIAL SPECIFICATIONS | | | |
| Jacket | | | FEP |
| Braid | | | SPC (Single Braid) |
| Dielectric | | | PTFE |
| Center Conductor | | | 7/0067 SPCW |
| ELECTRICAL CHARACTERISTICS | | | |
| Impedance | | | 50 Ohm |
| Capacitance (Nominal) | | | |
| (pF/ft) | | | 32 |
| (pF/m) | | | 105 |
| Maximum Working Voltage | | | 900 |
| Max. Cond. Resistance | | | |
| (Ohms/100Ft) | | | 8.41 |
| (Ohms/100m) | | | 27.6 |
| Corona Extinction Voltage | | | |
| (K VRMS) | | | 1.2 |
| Min. Dielectric Strength | | | |
| (KV RMS) | | | 2 |
| Max. Attenuation (dB/100Ft) | | Attenuation | Power |
| Max Power (Watts) | | | |
| 100MHz | | 11 | 430 |
| 400MHz | | 21 | 240 |
| 1GHZ | | 38 | 160 |
| 2.4GHZ | | 55.4 | 90 |
| 5GHz | | / | 57 |
| 10GHz | | / | 30 |
| MECHANICAL CHARACTERISTICS | | | |
| Max. Operating Temperature (°C) | | | -55/+200 |
| Min. Bend Radius | | | |
| (inch) | | | 0.5 |
| (mm) | | | 12.7 |
| Weight | | | |
| (g/Ft) | | | 4.5 |
| (g/M) | | | 15 |

This part number complies with RoHS.