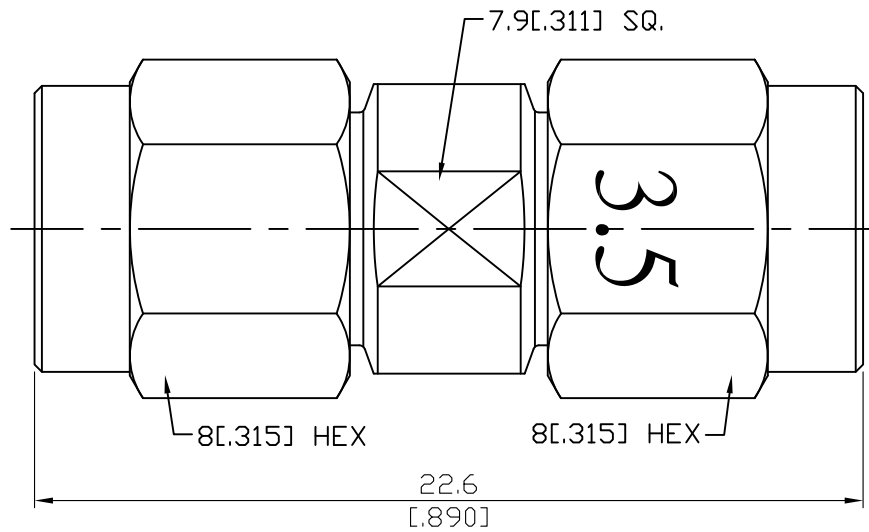


ADS-A3PC3-27-1.2

SMA Plug To 3.5 Plug
27GHz VSWR 1.2

50Ω



Parts	Material	Plating (Micro-inch)
Retainer Ring	Beryllium Copper	Tin-Zinc-Copper-Alloy 100 Over Copper 50
Gasket	Silicone	
Contact Pin	Beryllium Copper	Gold 4 Over Nickel-Phosphorus Alloy 80 Over Copper 20
Body	Stainless Steel	Passivated
Coupling Nut	Stainless Steel	Passivated
Insulator (SMA)	PTFE	
Insulator (3.5)	PPO	

Weight:

This part number complies with RoHS.

Notice: JYEBAO reserves the right to make modifications deemed appropriate.

ADS-A3PC3-27-1.2	SMA Plug To 3.5 Plug 27GHz VSWR 1.2																									
<table border="1"> <tr> <td data-bbox="113 324 531 392">Interface</td> <td data-bbox="531 324 1123 392">3.5</td> <td data-bbox="1123 324 1482 392">SMA</td> </tr> <tr> <td data-bbox="113 392 531 443">Standard</td> <td data-bbox="531 392 1123 443">IEC60169-23</td> <td data-bbox="1123 392 1482 443">MIL-STD-348B</td> </tr> <tr> <td data-bbox="113 443 531 584">Mechanically compatible with</td> <td data-bbox="531 443 1123 584">2.92 & SMA</td> <td data-bbox="1123 443 1482 584">2.92 & 3.5</td> </tr> </table>	Interface	3.5	SMA	Standard	IEC60169-23	MIL-STD-348B	Mechanically compatible with	2.92 & SMA	2.92 & 3.5																	
Interface	3.5	SMA																								
Standard	IEC60169-23	MIL-STD-348B																								
Mechanically compatible with	2.92 & SMA	2.92 & 3.5																								
<table border="1"> <tr> <td data-bbox="113 584 531 651">Electrical Data</td> <td colspan="2" data-bbox="531 584 1482 651"></td> </tr> <tr> <td data-bbox="113 651 531 703">Impedance</td> <td colspan="2" data-bbox="531 651 1482 703">50Ω</td> </tr> <tr> <td data-bbox="113 703 531 754">Frequency Range</td> <td colspan="2" data-bbox="531 703 1482 754">DC To 27GHz</td> </tr> <tr> <td data-bbox="113 754 531 806">VSWR</td> <td colspan="2" data-bbox="531 754 1482 806">≤ 1.2 (DC To 27GHz)</td> </tr> <tr> <td data-bbox="113 806 531 857">Insertion Loss</td> <td colspan="2" data-bbox="531 806 1482 857">≤ 0.05 x √f(GHz) dB</td> </tr> <tr> <td data-bbox="113 857 531 909">Insulation Resistance</td> <td colspan="2" data-bbox="531 857 1482 909">≥ 5000MΩ</td> </tr> <tr> <td data-bbox="113 909 531 960">Dielectric Withstanding Voltage (at sea level)</td> <td colspan="2" data-bbox="531 909 1482 960">1000 V rms</td> </tr> <tr> <td data-bbox="113 960 531 1081">Working Voltage (at sea level)</td> <td colspan="2" data-bbox="531 960 1482 1081">335 V rms</td> </tr> </table>	Electrical Data			Impedance	50Ω		Frequency Range	DC To 27GHz		VSWR	≤ 1.2 (DC To 27GHz)		Insertion Loss	≤ 0.05 x √f(GHz) dB		Insulation Resistance	≥ 5000MΩ		Dielectric Withstanding Voltage (at sea level)	1000 V rms		Working Voltage (at sea level)	335 V rms			
Electrical Data																										
Impedance	50Ω																									
Frequency Range	DC To 27GHz																									
VSWR	≤ 1.2 (DC To 27GHz)																									
Insertion Loss	≤ 0.05 x √f(GHz) dB																									
Insulation Resistance	≥ 5000MΩ																									
Dielectric Withstanding Voltage (at sea level)	1000 V rms																									
Working Voltage (at sea level)	335 V rms																									
<table border="1"> <tr> <td data-bbox="113 1081 531 1149">Mechanical Data</td> <td data-bbox="531 1081 1123 1149">3.5</td> <td data-bbox="1123 1081 1482 1149">SMA</td> </tr> <tr> <td data-bbox="113 1149 531 1200">Recommended Coupling Nut Torque</td> <td data-bbox="531 1149 1123 1200">7.1 to 9.7 in-lbs</td> <td data-bbox="1123 1149 1482 1200">7.5 to 9.5 in-lbs</td> </tr> <tr> <td data-bbox="113 1200 531 1252">Coupling Proof Torque</td> <td data-bbox="531 1200 1123 1252">15 in-lbs</td> <td data-bbox="1123 1200 1482 1252">15 in-lbs</td> </tr> <tr> <td data-bbox="113 1252 531 1303">Coupling nut retention force</td> <td data-bbox="531 1252 1123 1303">≥ 60.7 lbs</td> <td data-bbox="1123 1252 1482 1303">≥ 60.7 lbs</td> </tr> <tr> <td data-bbox="113 1303 531 1355">Contact Captivation-axial</td> <td data-bbox="531 1303 1123 1355">≥ 6.1 lbs</td> <td data-bbox="1123 1303 1482 1355">≥ 6.1 lbs</td> </tr> <tr> <td data-bbox="113 1355 531 1435">Durability (mating)</td> <td data-bbox="531 1355 1123 1435">≥ 500</td> <td data-bbox="1123 1355 1482 1435">≥ 500</td> </tr> </table>	Mechanical Data	3.5	SMA	Recommended Coupling Nut Torque	7.1 to 9.7 in-lbs	7.5 to 9.5 in-lbs	Coupling Proof Torque	15 in-lbs	15 in-lbs	Coupling nut retention force	≥ 60.7 lbs	≥ 60.7 lbs	Contact Captivation-axial	≥ 6.1 lbs	≥ 6.1 lbs	Durability (mating)	≥ 500	≥ 500								
Mechanical Data	3.5	SMA																								
Recommended Coupling Nut Torque	7.1 to 9.7 in-lbs	7.5 to 9.5 in-lbs																								
Coupling Proof Torque	15 in-lbs	15 in-lbs																								
Coupling nut retention force	≥ 60.7 lbs	≥ 60.7 lbs																								
Contact Captivation-axial	≥ 6.1 lbs	≥ 6.1 lbs																								
Durability (mating)	≥ 500	≥ 500																								
<table border="1"> <tr> <td data-bbox="113 1435 531 1503">Environmental Data</td> <td colspan="2" data-bbox="531 1435 1482 1503"></td> </tr> <tr> <td data-bbox="113 1503 531 1554">Temperature Range</td> <td colspan="2" data-bbox="531 1503 1482 1554">-55°C to +105°C</td> </tr> <tr> <td data-bbox="113 1554 531 1606">Thermal Shock</td> <td colspan="2" data-bbox="531 1554 1482 1606">MIL-STD-202, Method 107, Condition B</td> </tr> <tr> <td data-bbox="113 1606 531 1657">Moisture Resistance</td> <td colspan="2" data-bbox="531 1606 1482 1657">MIL-STD-202, Method 206</td> </tr> <tr> <td data-bbox="113 1657 531 1709">Corrosion</td> <td colspan="2" data-bbox="531 1657 1482 1709">MIL-STD-202, Method 101, Condition B</td> </tr> <tr> <td data-bbox="113 1709 531 2072">RoHS</td> <td colspan="2" data-bbox="531 1709 1482 2072">Compliant</td> </tr> </table>	Environmental Data			Temperature Range	-55°C to +105°C		Thermal Shock	MIL-STD-202, Method 107, Condition B		Moisture Resistance	MIL-STD-202, Method 206		Corrosion	MIL-STD-202, Method 101, Condition B		RoHS	Compliant									
Environmental Data																										
Temperature Range	-55°C to +105°C																									
Thermal Shock	MIL-STD-202, Method 107, Condition B																									
Moisture Resistance	MIL-STD-202, Method 206																									
Corrosion	MIL-STD-202, Method 101, Condition B																									
RoHS	Compliant																									

ADS-A3PC3-27-1.2

