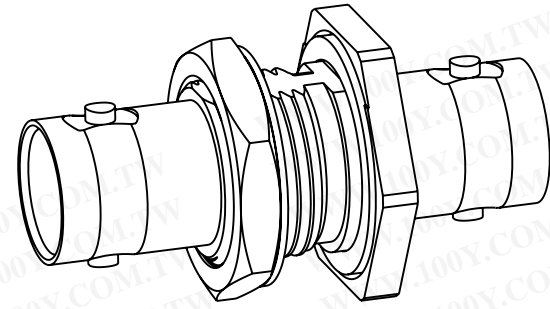


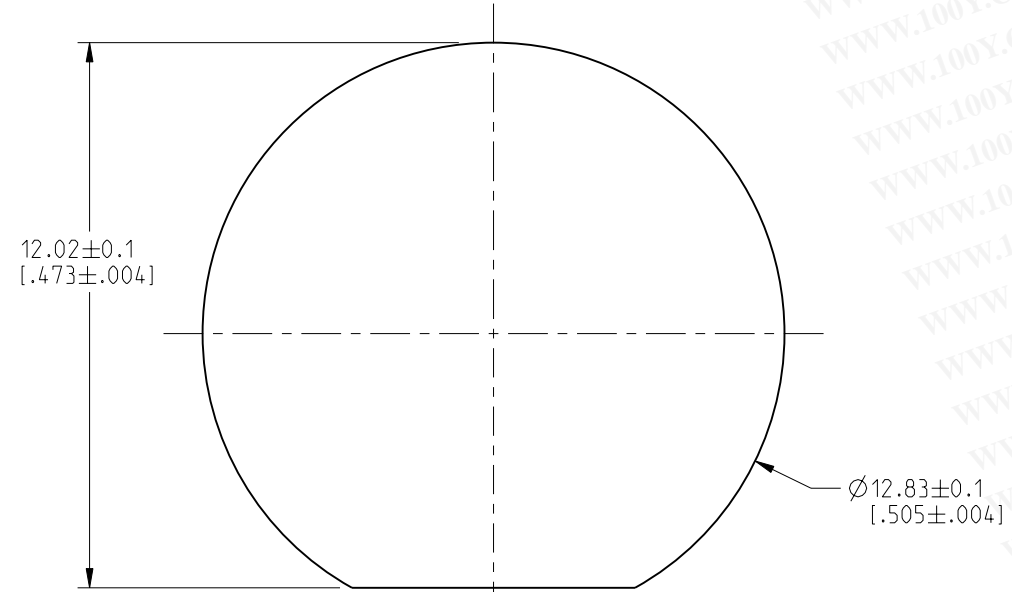
NOTES:

- MATERIALS AND FINISHES:
 - BODY - BRASS, NICKEL PLATING
 - CONTACT - BERYLLIUM COPPER, GOLD PLATING
 - LOCKWASHER - BRASS, NICKEL PLATING
 - HEX NUT - BRASS, NICKEL PLATING
 - INSULATOR - PTFE, NATURAL
 - O-RING - SILICONE RUBBER, RED
 - GASKET - SILICONE RUBBER, RED
- ELECTRICAL:
 - A. IMPEDANCE: 50 OHM
 - B. FREQUENCY RANGE: DC-12 GHz
 - C. VSWR: 1.10 MAX @ DC-4 GHz
1.45 MAX @ 4-12 GHz
 - D. DIELECTRIC WITHSTANDING VOLTAGE: 1500 VRMS. MIN.
- MECHANICAL:
 - A. DURABILITY: 500 CYCLES MIN.
 - B. TEMPERATURE RANGE: -40°C TO +85°C
- PACKAGING:
 - A. QUANTITY: SINGLE PACK
 - B. MARKING: PACKAGING TO BE MARKED
"AMPHENOL RF, AD-BNCJBNC J-4 & DATE CODE"



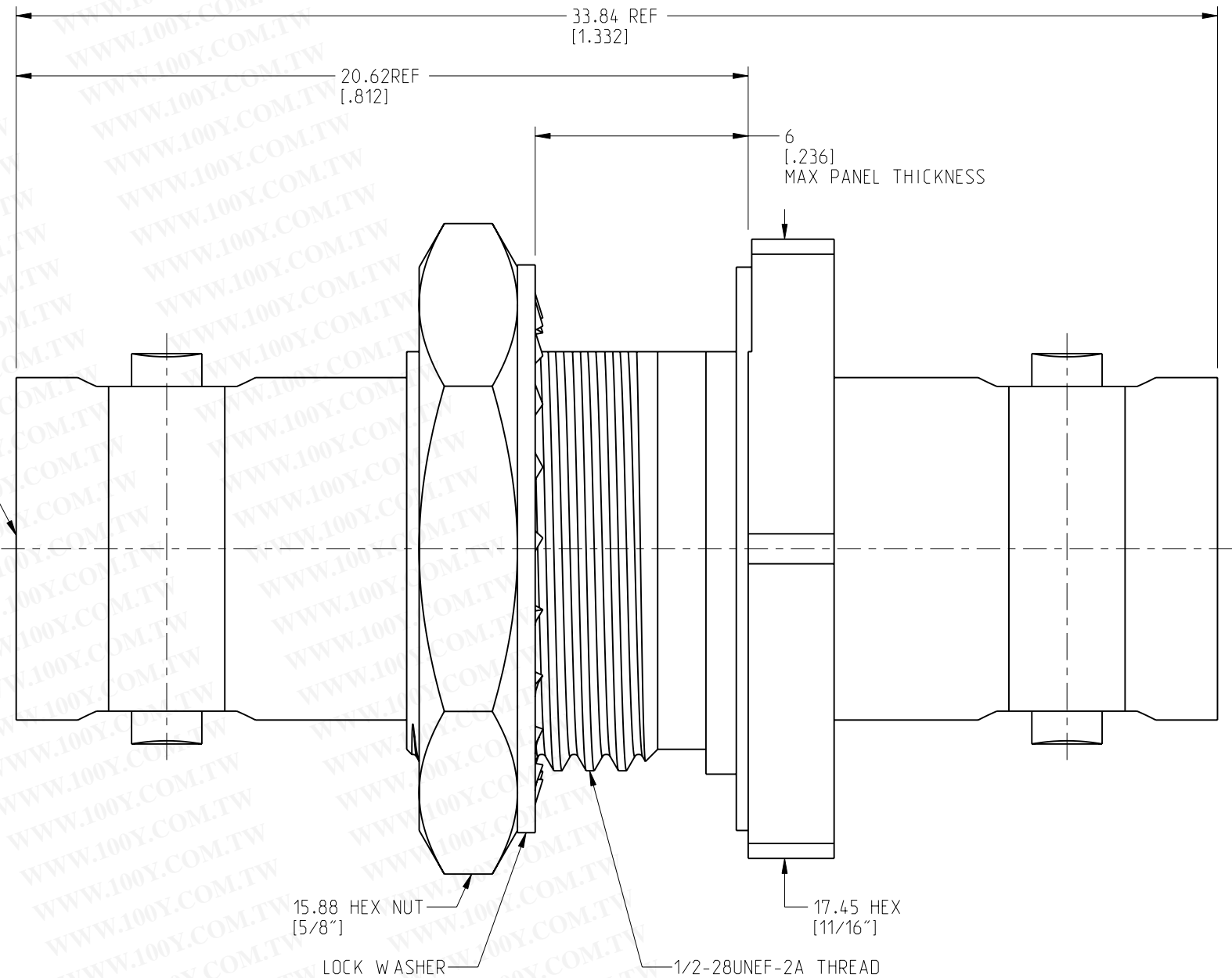
勝特力材料 886-3-5753170
 勝特力电子(上海) 86-21-34970699
 勝特力电子(深圳) 86-755-83298787
[Http://www.100y.com.tw](http://www.100y.com.tw)

REVISIONS				
REV	DESCRIPTION	DATE	ECN	APPR
A	RELEASE TO MFG.	01-Apr-20	14781	S.HSIEH



RECOMMENDED MOUNTING HOLE

INTERFACE PER
MIL-STD-348
SERIES: BNC JACK
TYP(2)



CUSTOMER OUTLINE DRAWING

ALL OTHER SHEETS ARE FOR INTERNAL USE ONLY

NOTICE: These drawings, specifications, or other data (1) are, and remain the property of Amphenol corp. (2) must be returned upon request; and (3) are confidential and not to be disclosed to any person other than those to whom they are given by Amphenol Corp. The furnishing of these drawings, specifications, or other data by Amphenol Corp., or to any other person to anyone for any purpose is not to be regarded by implication or otherwise in any manner licensing, granting rights to permitting such holder or any other person to manufacture, use or sell any product, process or design, patented or otherwise, that may in any way be related to or disclosed by said drawings, specifications, or other data.

UNLESS OTHERWISE SPECIFIED
DIMENSIONS ARE METRIC (INCHES) AND TOLERANCES ARE:

<0.5mm = ±0.05mm	[<0.020 = ±0.002]
>0.5 - 6mm = ±0.1mm	[>0.020 - 0.236 = ±0.004]
>6.00 - 30mm = ±0.2mm	[>0.236 - 1.181 = ±0.008]
>30.00 - 120mm = ±0.3mm	[>1.181 - 4.725 = ±0.012]

ANGLES = ±1°

MATERIAL
NOTE 1

ENGINEER
M.ZHANG

DATE
27-Mar-20

TITLE
BNC JACK TO JACK
IP67 BULKHEAD
ADAPTER

SHEET NO. 2 OF 2

SCALE: 6.0:1.0

SIZE B	DRAWING NO. AD-BNCJBNC J-4	REV A
	ITEM NO. AD-BNCJBNC J-4	
	PART NO. AD-BNCJBNC J-4	

THIRD ANGLE PROJ.

REFERENCE
EAR# 9262

Mouser Electronics

Authorized Distributor

Click to View Pricing, Inventory, Delivery & Lifecycle Information:

[Amphenol:](#)

[AD-BNCJBNCJ-4](#)