

HERMETICALLY SEALED CONNECTORS

Concentric Twinax/Triax

Hermetic seals prevent leakage through the bulkhead from inside of the connector. Trompeter's miniature size hermetically sealed connectors include the feed-through BJ78HS, the front mounted BJ77HS, the rear mounted BJ79HS and the newly designed threaded BJ379HS. In the subminiature size we offer the front mounted BJ157HS and BJ157FLHS (four lug version). The BJ3150HS and BJ3150SHS offer a threaded rear mount version with a safety wire option. These connectors are designed for bulkhead mounting in vacuum chambers, or where toxic and other gases are present. These connectors have leakage rates of 1×10^{-8} atm cc/second. The 150 Series have leakage rates of 1×10^{-6} atm cc/second.

Features

- Standard TRB/MIL-C-49142
- Glass to Metal Seals
- Sustains Extreme Temperature Ranges
- Standard Brass Body
- Gold Plated Contacts

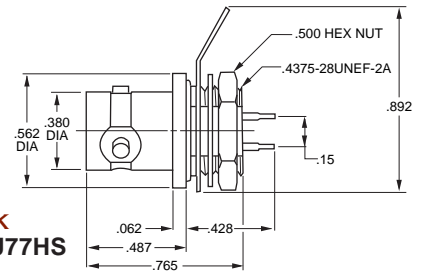
Benefits

- The Most Mechanical and Environmentally Reliable Method
- Wide Range of Application Usage
- More Cost Effective than Stainless Steel
- Reliable Connections

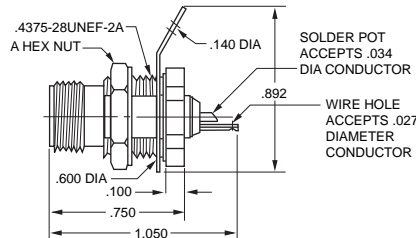
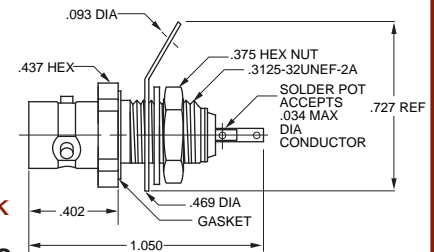


They all meet MIL-C-49142 specifications. Standard non-hermetic connector types such as the BJ78 could leak between the contacts and dielectrics. Hermetically sealed connectors can be used in commercial, military, and industrial applications where toxic gas maybe present. Hermetic connectors are highly beneficial in reactors, gas/petro plants, oil drilling sites, liquid test and measurement, and space applications. They are reliable under the most severe atmospheric conditions.

HERMETICALLY SEALED BULKHEAD JACK FRONT MOUNT BJ77HS
Mounting Hole: D4.125

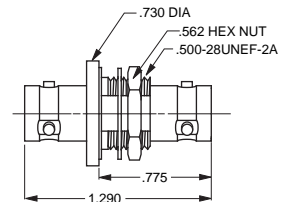


HERMETICALLY SEALED BULKHEAD JACK 3-lug BJ157HS 4-lug BJ157FLHS
Mounting Hole: D6.187

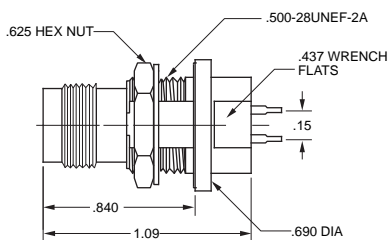


HERMETICALLY SEALED SUBMINIATURE TWINAX/TRIAX REAR MOUNT BJ3150HS A = .500 SOLDER POT BULKHEAD BJ3150SHS A = .562
Mounting Hole: D4.200

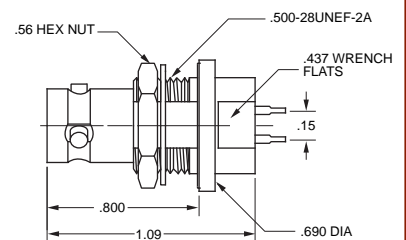
BJ78HS Shown



HERMETICALLY SEALED MINIATURE TWINAX/TRIAX FEED-THRU BULKHEAD MOUNT BJ78HS BJ378HS (Threaded Version Not Shown)
Mounting Hole: D3.187
INSULATED VERSION BJ73HS (Not Shown)
Mounting Hole: D2.187



HERMETICALLY SEALED MINIATURE TWINAX/TRIAX TRT/THEADED BJ376HS
Mounting Hole: D3.160



HERMETICALLY SEALED MINIATURE TWINAX/TRIAX REAR MOUNT, BULKHEAD MOUNT BJ79HS
Mounting Hole: D3.160

Note: Only a select few of our hermetically sealed connectors are shown here. Contact the factory for more information.

"D" mounting holes see page 63.

DATA CONTAINED IN THIS DOCUMENT IS PROPRIETARY TO TROMPETER ELECTRONICS INC. AND SHALL NOT BE DISCLOSED, COPIED OR USED FOR PROCUREMENT OR MANUFACTURE WITHOUT EXPRESS WRITTEN PERMISSION OF TROMPETER ELECTRONICS INC.

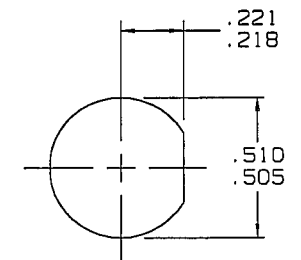
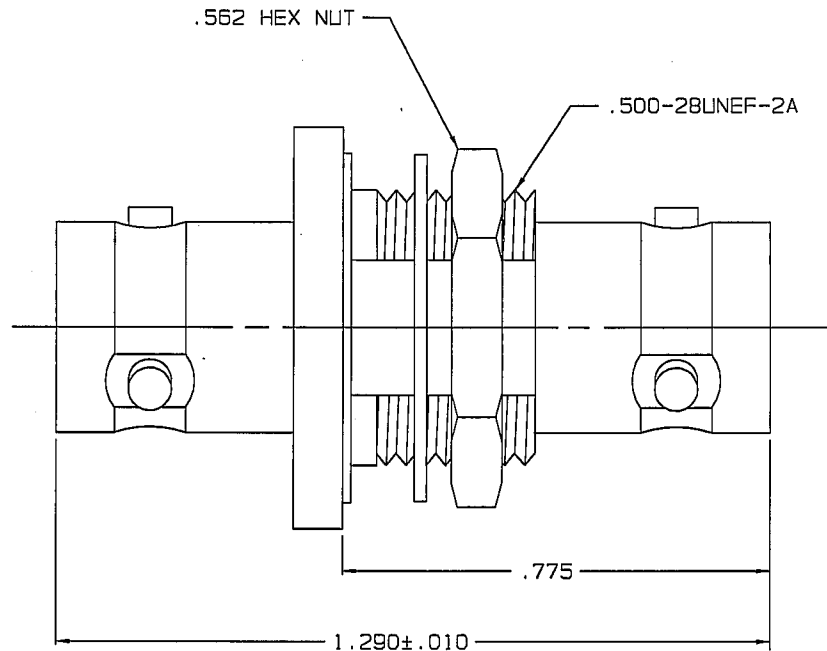
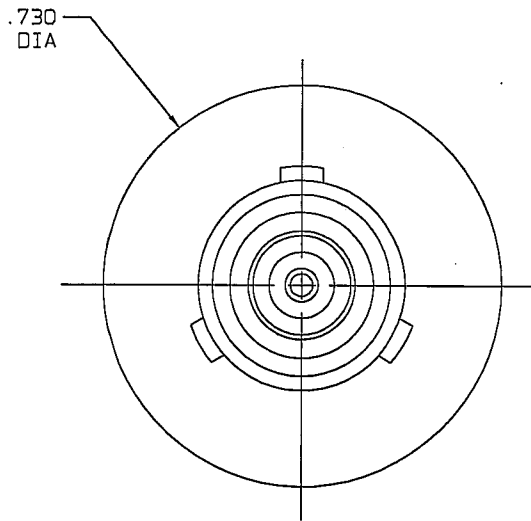
REVISIONS

305-0063

SH 1

REV	DESCRIPTION	DATE	APPROVED
F	REVISED PER ECO 14521	4-30-02	RAM

RED INDICATES ORIGINAL



RECOMMENDED
PANEL CUTOUT
SCALE: 2/1

5. MATERIAL & CONSTRUCTION: MEET THE REQUIREMENTS OF MIL-C-49142 WHERE APPLICABLE
4. DIELECTRIC WITHSTANDING VOLTAGE: 500 V COMMON MODE VOLTAGE BETWEEN CIRCUITS
3. LEAK RATE: 1×10^{-8} CC/SEC MAX OF TRACER GAS AT ATMOSPHERIC PRESSURE
2. HERMETICALLY SEALED TWINAX/TRIAX FEED THRU ADAPTER FOR MOUNTING IN BULKHEAD .187 THK MAX
1. FINISH: TFS-1A (NICKEL)

INTERPRET DRAWING PER MIL-STD-100 DIMENSIONS ARE IN INCHES AND INCLUDE FINISH THICKNESS UNLESS OTHERWISE SPECIFIED		TOL: UNLESS SPECIFIED .XX .XXX ± .005 .XXXX ANGLES	
DRAWN AAH	DATE 4-24-02	MATERIAL:	TITLE:
CHECKED JTB	4-26-02		BJ78HS
QUALITY [Signature]	4-30-02	FINISH:	
MANAGE [Signature]	4/30/02		SIZE CAGE CODE A 14949
APPROVED RAM	4/26/02	DO NOT SCALE DWG	DRAWING NO. 305-0063
NEXT ASSY	CAO FILE NO. 305-0063F1		REV. F
		SCALE 4/1	DATE: 5-5-71
			SHEET 1 OF 2

