

N/BNC-JJ

- 1 N公头
- 2 BNC公头



BNC-J

BNC公头



N-J

N公头

N/BNC-KK

- 1 N母头
- 2 BNC母头



BNC-K

BNC母头



N-K

N母头
外螺纹内孔

N/BNC-JK

- 1 N公头
- 2 BNC母头



N-K

N母头



BNC-J

BNC公头



型号: RG316-BNC-J/SMB-JW

BNC公头转SMB弯公头



型号: RG316-BNC-K/SMB-KW

BNC母头转SMB弯母头



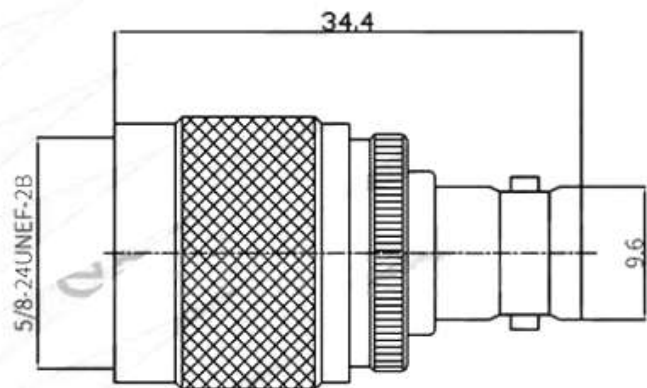
产品规格书

This document contains proprietary information and such information may not be disclosed to others for any purposes,
 本文件包含专有信息,不得出于任何目的向他人披露此类信息。
 not used for sales/marketing/procurement purposes without written permission.
 未经书面许可,不得用于销售/营销/采购目的。

- | | |
|---|------------|
| 1. Electrical/电气 | |
| 1.1 Impedance /阻抗 | 50Ω |
| 1.2 Frequency /频率 | DC-4GHz |
| 1.3 VSWR/驻波 | ≤1.25 |
| 1.4 Dielectric withstanding voltage /介质耐压 | 1000V(rms) |
| 1.5 Center contact resistance /BNC中心接触电阻 | ≤1.5MΩ |
| 1.6 Outer contact resistance /BNC外部接触电阻 | ≤1MΩ |
| 1.7 Center contact resistance /N中心接触电阻 | ≤1MΩ |
| 1.8 Outer contact resistance /N外部接触电阻 | ≤0.2MΩ |
| 1.9 Insulation resistance /绝缘电阻 | ≥5000MΩ |

- | | |
|-----------------------------------|------------|
| 2. Environment & Mechanical/环境与机械 | |
| 2.1 Temperature range/温度范围 | -45°~+125° |
| 2.2 RoHS Compliant/符合RoHS | |
| 2.3 Durability/耐久性 | 500cycles |

- | | |
|--|--|
| 3. Material and Plating/材料和电镀 | |
| 3.1 Inner Contact/内导体: Phosphorus-Copper Gold Plating/磷铜镀金 | |
| 3.2 Outer Contact/外导体: Brass, nickel plated/黄铜镀镍 | |
| 3.3 Insulators/绝缘体: PTFE/聚四氟乙烯 | |



产品型号P/N: N/BNC-JK

产品规格书

This document contains proprietary information and such information may not be disclosed to others for any purposes,
本文件包含专有信息，不得出于任何目的向他人披露此类信息。
not used for sales/marketing/procurement purposes without written permission.
未经书面许可，不得用于销售/营销/采购目的。

1. Electrical/电气

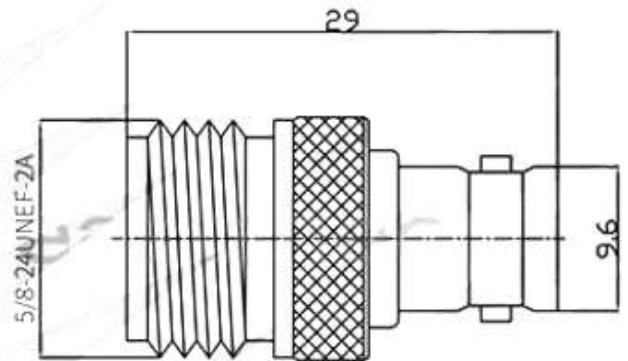
1.1 Impedance /阻抗	50Ω
1.2 Frequency /频率	DC-4GHz
1.3 VSWR/驻波	≤1.25
1.4 Dielectric withstanding voltage /介质耐压	1000V(rms)
1.5 Center contact resistance /BNC中心接触电阻	≤1.5MΩ
1.6 Outer contact resistance/BNC外部接触电阻	≤1MΩ
1.7 Center contact resistance /N中心接触电阻	≤1MΩ
1.8 Outer contact resistance/N外部接触电阻	≤0.2MΩ
1.9 Insulation resistance/绝缘电阻	≥5000MΩ

2 Environmenta & Mechanical/环境与机械

2.1 Temperture range/温度范围	-45°~+125°
2.2 Rohs Compliant/符合RoHS	
2.3 Durability/耐久性	500cycles

3 Material and Plating/材料和电镀

3.1 Inner Contact/内导体: Phosphorus-Copper Gold Plating/磷铜镀金
3.2 Outer Contact/外导体: Brass, nickel plated/黄铜镀镍
3.3 Insulators/绝缘体: PTFE/聚四氟乙烯

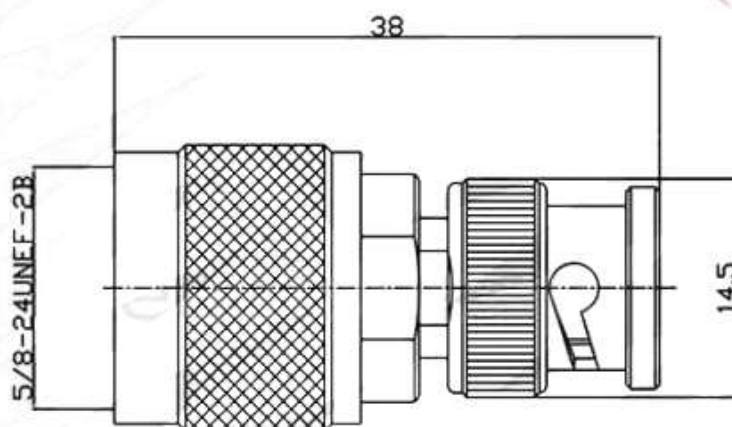


产品型号P/N: N/BNC-KK

产品规格书

This document contains proprietary information and such information may not be disclosed to others for any purposes,
本文件包含专有信息，不得出于任何目的向他人披露此类信息。
not used for sales/marketing/procurement purposes without written permission.
未经书面许可，不得用于销售/营销/采购目的。

- | | |
|--|------------|
| 1. Electrical/电气 | |
| 1.1 Impedance /阻抗 | 50Ω |
| 1.2 Frequency /频率 | DC-4GHz |
| 1.3 VSWR/驻波 | ≤1.25 |
| 1.4 Dielectric withstanding voltage /介质耐压 | 1000V(rms) |
| 1.5 Center contact resistance /BNC中心接触电阻 | ≤1.5MΩ |
| 1.6 Outer contact resistance/BNC外部接触电阻 | ≤1MΩ |
| 1.7 Center contact resistance /N中心接触电阻 | ≤1MΩ |
| 1.8 Outer contact resistance/N外部接触电阻 | ≤0.2MΩ |
| 1.9 Insulation resistance/绝缘电阻 | ≥5000MΩ |
| 2 Environmental & Mechanical/环境与机械 | |
| 2.1 Temperature range/温度范围 | -45°~+125° |
| 2.2 RoHS Compliant/符合RoHS | |
| 2.3 Durability/耐久性 | 500cycles |
| 3 Material and Plating/材料和电镀 | |
| 3.1 Inner Contact/内导体: Phosphorus-Copper Gold Plating/磷铜镀金 | |
| 3.2 Outer Contact/外导体: Brass, nickel plated/黄铜镀镍 | |
| 3.3 Insulators/绝缘体: PTFE/聚四氟乙烯 | |



产品型号P/N: N/BNC-JJ

RG 316



型号 Model

FEP RG 316

描述 Description

(316) 高频同轴电缆 FEP(茶色)护套
(316) High Frequency coaxial cable with FEP (Brown) jacket

结构参数 Structure parameter

内部导体 Inner Conductor	镀银铜, 镀银铜包钢 Silver-Plated Copper, Silver-Plated Copper Clad Steel	7x0.175mm
绝缘层 Insulation Layer	聚四氟乙烯(PTFE) Polytetrafluoroethylene(PTFE)	1.53mm
外部导体 Outer Conductor	镀银铜线编织 Silver-Plated Copper Wire Braiding	1.95mm
护套 Jacket	聚全氟乙丙烯 (FEP), 茶色 Fluorinated Ethylene Propylene(FEP), Brown	2.50mm

电气特性 Electrical Data

阻抗 Impedance, nominal	50ohms
电容 Capacitance, nominal	106pF/m
延时 Signal delay, nominal	4.7ns/m
耐电压 Voltage withstand(AC)	2000V rms/min
绝缘电阻 Insulation resistance, nominal	1500 M Ω · km
传输速率 Velocity of propagation, nominal	70%

机械特性 Mechanical Data

恒定温度 Temperature rating	150°C
最小弯曲半径 Minimum bending radius	15mm
最大拉伸强度 Maximum tensile strength	3.4kg
重量 Weight of cable	17g/m

衰减量和功率 Attenuation and Power

频率数 Frequency(MHz)	衰减量 Attenuation(dB/m)	功率 Power(Watts CW)
100	0.29	420
400	0.58	210
900	0.88	140
1000	0.93	135
1800	1.27	100
2400	1.46	78
3000	1.65	72
5000	2.14	61
6000	2.34	52