

# RG174 射頻轉接線

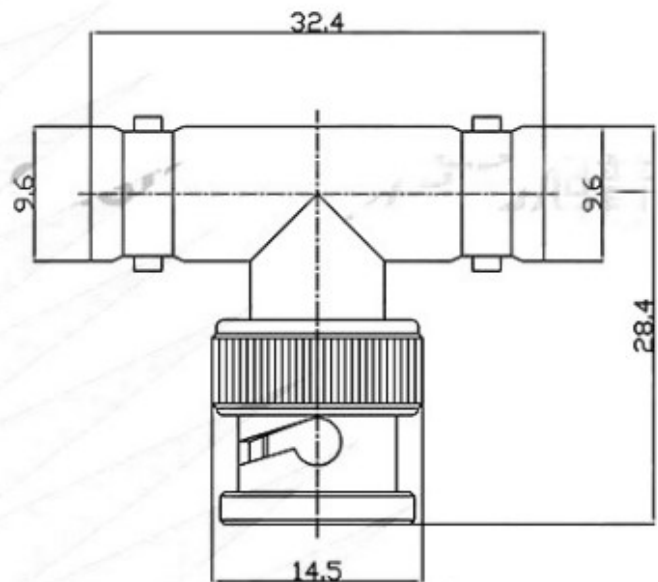


## 产品规格书

PRODUCT SPECIFICATION

This document contains proprietary information and such information may not be disclosed to others for any purposes, 本文件包含专有信息，不得出于任何目的向他人披露此类信息。 not used for sales/marketing/procurement purposes without written permission. 未经书面许可，不得用于销售/营销/采购目的。

- |  |            |
|--|------------|
| 1. Electrical/电气   |            |
| 1.1 Impedance /阻抗  | 50Ω        |
| 1.2 Frequency /频率  | DC-4GHz    |
| 1.3 Dielectric withstanding voltage /介质耐压                    | 1500V(rms) |
| 1.4 Center contact resistance /中心接触电阻                        | ≤1.5mΩ     |
| 1.5 Outer contact resistance /外部接触电阻                         | ≤1mΩ       |
| 1.6 Insulation resistance /绝缘电阻                              | ≥5000MΩ    |
| 2 Environmenta & Mechanical /环境与机械                           |            |
| 2.1 Temperture range /温度范围                                   | -45°~+125° |
| 2.2 Rohs Compliant /符合RoHS                                   |            |
| 2.3 Durability /耐久性  | 500cycles  |
| 3 Material and Plating /材料和电镀                                |            |
| 3.1 Inner Contact /内导体: Phosphorus-Copper Gold Plating /磷铜镀金 |            |
| 3.2 Outer Contact /外导体: Brass, nickel plated /黄铜镀镍           |            |
| 3.3 Insulators /绝缘体: PTFE /聚四氟乙烯                             |            |



产品型号P/N: BNC-KJK

# 产品规格书

## PRODUCT SPECIFICATION

This document contains proprietary information and such information may not be disclosed to others for any purposes,  
本文件包含专有信息，不得出于任何目的向他人披露此类信息。  
not used for sales/marketing/procurement purposes without written permission.  
未经书面许可，不得用于销售/营销/采购目的。

### 1. Electrical/电气

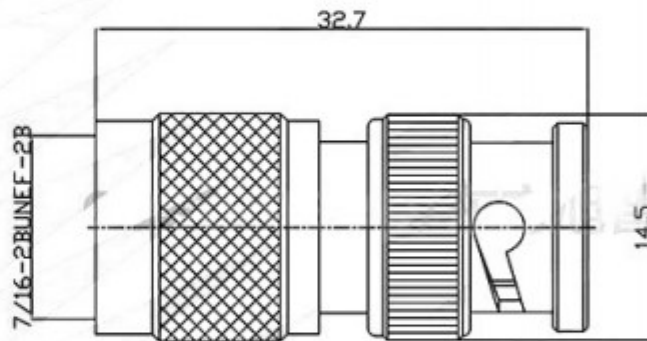
- |   |            |
|---|------------|
| 1.1 Impedance /阻抗                         | 50Ω        |
| 1.2 Frequency /频率                         | DC-4GHz    |
| 1.3 VSWR/驻波                               | ≤1.25      |
| 1.4 Dielectric withstanding voltage /介质耐压 | 1500V(rms) |
| 1.5 Center contact resistance /中心接触电阻     | ≤1.5mΩ     |
| 1.6 Outer contact resistance /外部接触电阻      | ≤0.2mΩ     |
| 1.7 Insulation resistance /绝缘电阻           | ≥5000MΩ    |

### 2 Environmental & Mechanical/环境与机械

- |                             |            |
|-----------------------------|------------|
| 2.1 Temperature range /温度范围 | -45°~+125° |
| 2.2 Rohs Compliant /符合RoHS  |            |
| 2.3 Durability /耐久性         | 500cycles  |

### 3 Material and Plating/材料和电镀

- |  |  |
|--|--|
| 3.1 Inner Contact /内导体: Brass, Gold plated /黄铜镀金   |  |
| 3.2 Outer Contact /外导体: Brass, nickel plated /黄铜镀镍 |  |
| 3.3 Insulators /绝缘体: PTFE /聚四氟乙烯                   |  |



产品型号P/N: TNC/BNC-JJ

# 产品规格书

## PRODUCT SPECIFICATION

This document contains proprietary information and such information may not be disclosed to others for any purposes,  
本文件包含专有信息，不得出于任何目的向他人披露此类信息。  
not used for sales/marketing/procurement purposes without written permission.  
未经书面许可，不得用于销售/营销/采购目的。

### 1. Electrical/电气

1.1 Impedance /阻抗

1.2 Frequency /频率

1.3 VSWR/驻波

1.4 Dielectric withstanding voltage /介质耐压

1.5 Center contact resistance /BNC中心接触电阻

1.6 Outer contact resistance/BNC外部接触电阻

1.7 Center contact resistance /SMB中心接触电阻

1.8 Outer contact resistance/SMB外部接触电阻

1.9 Insulation resistance/绝缘电阻

50Ω

DC-4GHz

≤1.3

500V(rms)

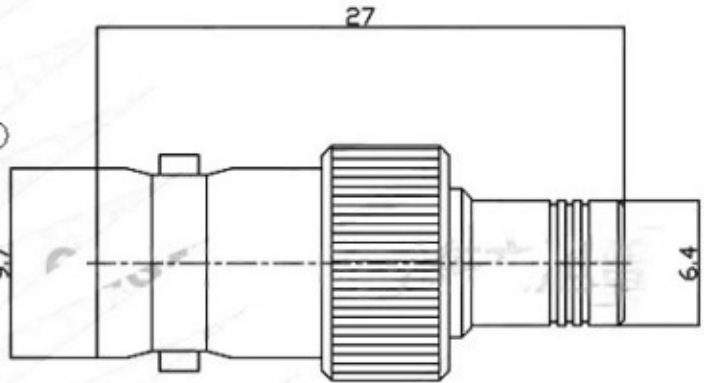
≤1.5mΩ

≤1mΩ

≤6mΩ

≤1mΩ

≥1000MΩ



### 2. Environment & Mechanical/环境与机械

2.1 Temperature range/温度范围

2.2 RoHS Compliant/符合RoHS

2.3 Durability/耐久性

-45°~+125°

500cycles

### 3. Material and Plating/材料和电镀

3.1 Inner Contact/内导体: Phosphorus-Copper Gold Plating/磷铜镀金

3.2 Outer Contact/外导体: Brass, nickel plated/黄铜镀镍

3.3 Outer Contact/SMB外导体: Brass, Gold plated/黄铜镀金

3.4 Insulators/绝缘体: PTFE/聚四氟乙烯

产品型号P/N: BNC/SMB-KK

# 产品规格书

## PRODUCT SPECIFICATION

This document contains proprietary information and such information may not be disclosed to others for any purposes,  
本文件包含专有信息，不得出于任何目的向他人披露此类信息。  
not used for sales/marketing/procurement purposes without written permission.  
未经书面许可，不得用于销售/营销/采购目的。

### 1. Electrical/电气

1.1 Impedance /阻抗

50Ω

1.2 Frequency /频率

DC-4GHz

1.3 VSWR/驻波

≤1.3

1.4 Dielectric withstanding voltage /介质耐压

500V(rms)

1.5 Center contact resistance /BNC中心接触电阻

≤1.5mΩ

1.6 Outer contact resistance/BNC外部接触电阻

≤1mΩ

1.7 Center contact resistance /MMCX中心接触电阻

≤10mΩ

1.8 Outer contact resistance/MMCX外部接触电阻

≤5mΩ

1.9 Insulation resistance/绝缘电阻

≥1000MΩ

### 2 Environment & Mechanical/环境与机械

2.1 Temperature range/温度范围

-45°~+125°

2.2 Rohs Compliant/符合RoHS

2.3 Durability/耐久性

500cycles

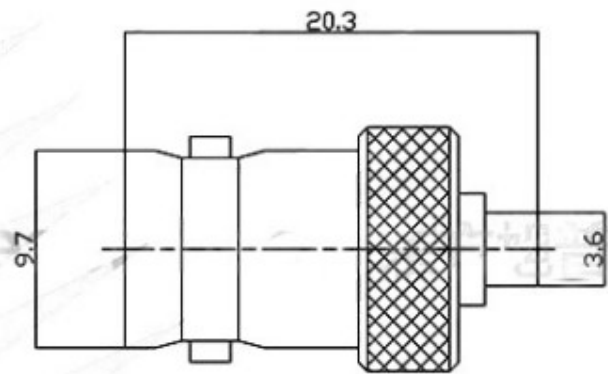
### 3 Material and Plating/材料和电镀

3.1 Inner Contact/内导体: Phosphorus-Copper Gold Plating/磷铜镀金

3.2 Outer Contact/外导体: Brass, nickel plated/黄铜镀镍

3.3 Outer Contact/MMCX外导体: Brass, Gold plated/黄铜镀金

3.4 Insulators/绝缘体: PTFE/聚四氟乙烯



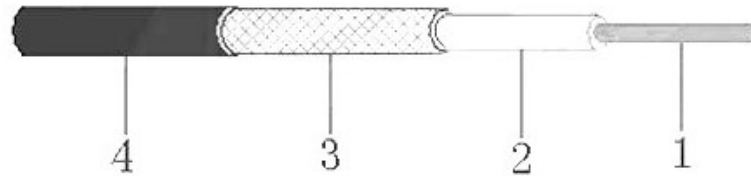
产品型号P/N: BNC/MMCX-KK

# RG 174

## 产品技术数据 Technical data of product

电缆名称 Name of cable	实芯聚乙烯绝缘同轴电缆 Solid polyethylene insulated coaxial cables		
电缆型号 Type of cable	RG174	执行标准 Standar	参照 MIL-C-17

### 一、产品结构图 Structure diagram of product



### 二、产品规格尺寸 Size of product

序号 No.	项目 Item	结构 Structure	材质 Material	颜色 Color
1	内导体 Inner conductor	7/0.16±0.01 mm	裸铜丝 Bare copper	黄色 Yellow
2	绝缘层 Insulation	1.52±0.10mm	聚乙烯 PE	白色 White
3	编织 Wire braid	96*0.10±0.01 mm	裸铜丝 Bare copper	黄色 Yellow
4	外护层 Jacket	2.80±0.10 mm	聚氯乙烯 PVC	黑色 Black
5	标志 Making	RG174 ROHS		

### 三、产品物理电气性能 Electrical physical and properties of product

项目 Item	单位 Unit	典型值 Value	
电容 Capacitance	pF/m	100±5	
阻抗 Impedance	Ω	50±2	
速率 Velocity ratio	%	66	
弯曲半径 Bent radius	mm	14	
最大工作电压 Max voltage	VMS	1500	
最大工作频率 Max Frequency	MHz	3000	
温度范围 Temperature scope	℃	-20 ~ +80	
20℃时最大衰减 Attenuation constant at 20℃ (Max.)	200MHz	dB/100m	38
	400MHz	dB/100m	57
	900MHz	dB/100m	89
	1500MHz	dB/100m	116
	1800MHz	dB/100m	127
	2000MHz	dB/100m	137
	2500MHz	dB/100m	154