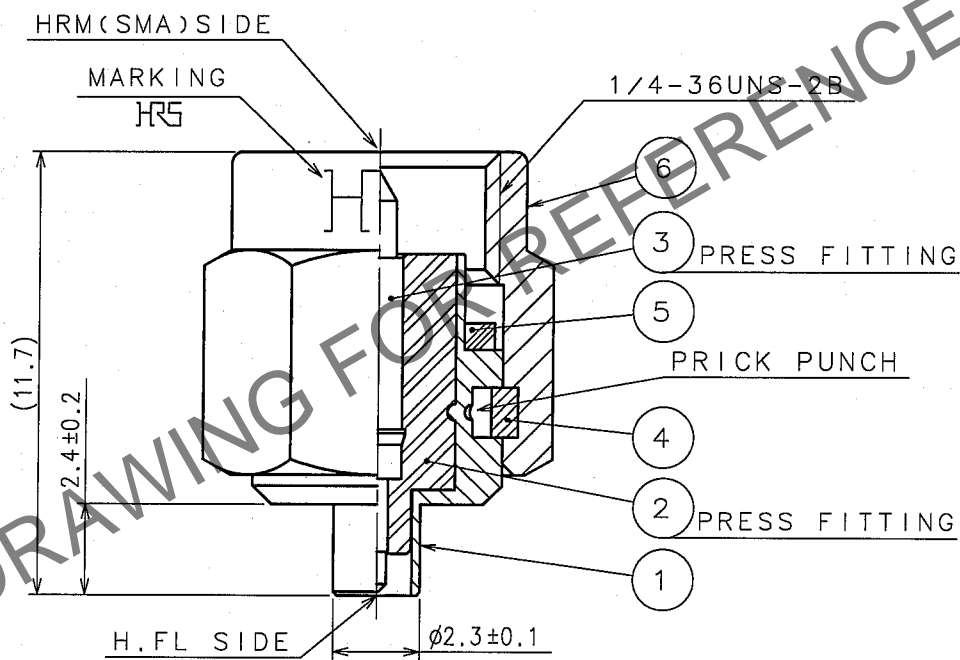
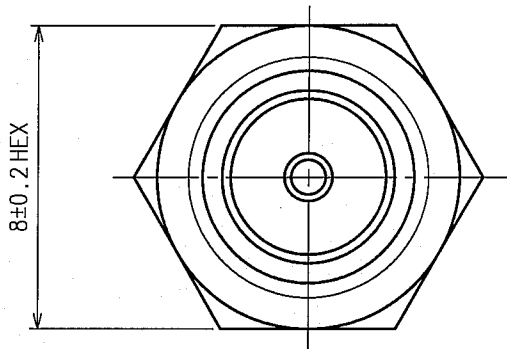


Mar. 1. 2026 Copyright 2026 HIROSE ELECTRIC CO., LTD. All Rights Reserved.
In case of consideration for using Automotive equipment / device which demand high reliability, kindly contact our sales window correspondents.

1		2			3			4		
COUNT	DESCRIPTION OF REVISIONS	BY	CHKD	DATE	COUNT	DESCRIPTION OF REVISIONS	BY	CHKD	DATE	
△					△					
△					△					
△					△					



NOTE. USE ONLY FOR ELECTRICAL MEASUREMENT
BECAUSE OF NO LOCKING DEVICE IN MATING
PORTION ON H.F.L SIDE.

3	BRASS	GOLD PLATING	6	STAINLESS STEEL	PASSIVATE
2	PTFE		5	SILICONE RUBBER	(RED)
1	STAINLESS STEEL	NICKEL PLATING	4	BERYLLIUM COPPER	NICKEL PLATING
NO.	MATERIAL	FINISH, REMARKS	NO.	MATERIAL	FINISH, REMARKS

CODE NO. (OLD) CL	DRAWN <i>M. Kaneko</i> 05.9.5	DESIGNED <i>T. Katayama</i> 05.9.13	CHECKED <i>H. Shimizu</i> 05.09.13	APPROVED <i>J. Mitani</i> 05.09.14	RELEASED
RoHS COMPLIANT					

 SCALE 5 : 1 UNITS mm	DRAWING NO. EDC4-047043-40	PART NO. HRMP-H.FLJ(40)
	 HIROSE ELECTRIC CO., LTD.	CODE NO. CL311-0232-4-40