

RG TYPE COAXIAL CABLE		RG174	
DIMENSIONS			
Center Conductor Diameter			
(inch)			0.0189
(mm)			0.48
Dielectric Diameter			
(inch)			0.06
(mm)			1.52
Braid Diameter			
(inch)			0.078
(mm)			1.98
Jacket			
(inch)			0.11
(mm)			2.79
MATERIAL SPECIFICATIONS			
Jacket			PVC
Braid			TPC (Single Braid)
Dielectric			PE
Center Conductor			7/0063 CW Wire
ELECTRICAL CHARACTERISTICS			
Impedance			50ohm
Capacitance (Nominal)			
(pF/ft)			30.5
(pF/m)			100
Velocity of Propagation (%)			65.9
Maximum Working Voltage			1100
Max. Cond. Resistance			
(Ohms/100Ft)			9.670
(Ohms/100m)			31.72
Corona Extinction Voltage			
(K VRMS)			1.5
Min. Dielectric Strength			
(KV RMS)			2.0
Max. Attenuation (dB/100Ft)		Attenuation	
Max Power (Watts)			Power
		dB/ 100Ft	dB/ 100M
100MHz		8.6	28
400MHz		17.7	58
1GHz		29	95
2.4GHz		48.7	160
5GHz		70.1	230
			18
MECHANICAL CHARACTERISTICS			
Max. Operating Temperature (°C)			-40/+80
Min. Bend Radius			
(inch)			0.48
(mm)			12.2
Weight			
(g/Ft)			3.5
(g/M)			11.5

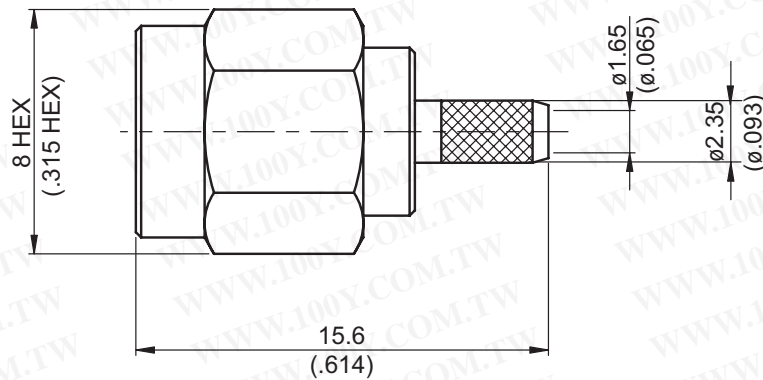
This part number complies with RoHS.

Notice: JYBAO reserves the right to make modifications deemed appropriate.

SMA3100-0316

SMA Plug Crimp

50Ω



勝特力材料 886-3-5753170
 勝特力电子(上海) 86-21-54151736
 勝特力电子(深圳) 86-755-83298787
[Http://www.100y.com.tw](http://www.100y.com.tw)

Parts	Material	Plating (Micro-inch)
Ferrule	Brass	Gold 5 Over Nickel 50 Over Copper 50
Contact Pin	Brass	Gold 20 Over Nickel 50 Over Copper 50
Renber Ring	Beryllium Copper	Tin-Zinc-Copper-Alloy 100 Over Copper 50
Gasket	Silicon	
Insulator	Teflon	
Body	Brass	Gold 5 Over Nickel 50 Over Copper 50
Coupling Nut	Brass	Gold 5 Over Nickel 50 Over Copper 50

Weight: 3.06 g

Suitable Cables: RG174, RG188, RG316, JBY100, RG316-E, RG316-FEP

CABLE ASSEMBLY INSTRUCTION

SMA3100-0316

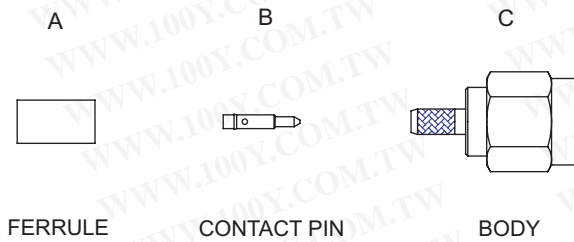


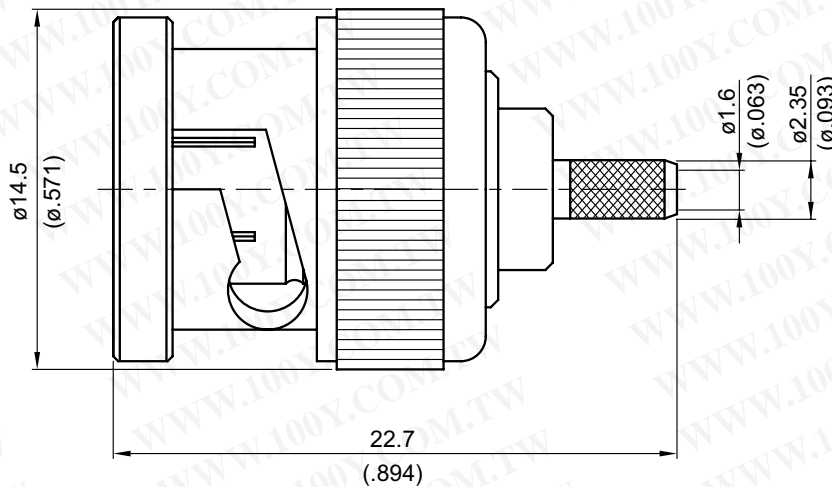
DIAGRAM	ASSEMBLY INSTRUCTION
	<p>Step 1: STRIP AS SHOWN.</p>
	<p>Step 2: SLIDE FERRULE "A" OVER CABLE. Step 3: PUT PIN "B" ON CENTER CONDUCTOR AND SOLDER IN "Y".</p>
	<p>Step 4: LOOSEN BRAIDING AND SLIDE CONNECTOR "C" IN PLACE.</p>
	<p>Step 5: SLIDE FERRULE "A" TOWARDS THE CONNECTOR "C" AND CRIMP.</p>

勝特力材料 886-3-5753170
勝特力电子(上海) 86-21-54151736
勝特力电子(深圳) 86-755-83298787
[Http://www.100y.com.tw](http://www.100y.com.tw)

BNC3100-0316

BNC Plug Crimp

50Ω



Parts	Material	Plating (Micro-inch)
Ferrule	Brass	Tin-Zinc-Copper-Alloy 100 Over Copper 50
Contact Pin	Brass	Gold 3 Over Nickel 50 Over Copper 50
Gasket	Silicone	
Washer	Brass	Tin-Zinc-Copper-Alloy 100 Over Copper 50
Spring	SK5	Tin-Zinc-Copper-Alloy 100 Over Copper 50
Insulator	Teflon	
Body	Brass	Tin-Zinc-Copper-Alloy 100 Over Copper 50
Coupling Nut	Brass	Tin-Zinc-Copper-Alloy 100 Over Copper 50

Weight: 8.06 g

Suitable Cables: RG174, RG188, RG316, RG316-E, RG316-FEP

This part number complies with RoHS.

Notice: JYBAO reserves the right to make modifications deemed appropriate.

CABLE ASSEMBLY INSTRUCTION

BNC3100-0316

勝特力材料 886-3-5753170
 勝特力电子(上海) 86-21-54151736
 勝特力电子(深圳) 86-755-83298787
[Http://www.100y.com.tw](http://www.100y.com.tw)

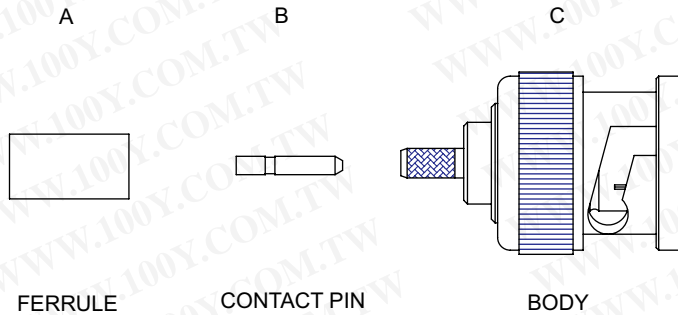


DIAGRAM	ASSEMBLY INSTRUCTION
	<p>Step 1: STRIP AS SHOWN.</p>
	<p>Step 2: SLIDE FERRULE "A" OVER CABLE. Step 3: PUT PIN "B" ON CENTER CONDUCTOR AND CRIMP IN "Y".</p>
	<p>Step 4: LOOSEN BRAIDING AND SLIDE CONNECTOR "C" IN PLACE.</p>
	<p>Step 5: SLIDE FERRULE "A" TOWARDS THE CONNECTOR AND CRIMP.</p>

This part number complies with RoHS.

Notice: JYBAO reserves the right to make modifications deemed appropriate.