

勝特力材料 886-3-5753170  
 勝特力电子(上海) 86-21-34970699  
 勝特力电子(深圳) 86-755-83298787  
[Http://www.100y.com.tw](http://www.100y.com.tw)

RG TYPE COAXIAL CABLE		RD316	
<b>DIMENSIONS</b>			
Center Conductor Diameter (inch) (mm)		0.02 0.51	
Dielectric Diameter (inch) (mm)		0.06 1.52	
Braid Diameter (inch) (mm)		0.096 2.44	
Jacket (inch) (mm)		0.114 2.9	
<b>MATERIAL SPECIFICATIONS</b>			
Jacket		FEP	
Braid		SPC (Double Braid)	
Dielectric		PTFE	
Center Conductor		7/0067 SPCW	
<b>ELECTRICAL CHARACTERISTICS</b>			
Impedance		50 Ohm	
Capacitance (Nominal) (pF/ft) (pF/m)		32 105	
Maximum Working Voltage		1100	
Max. Cond. Resistance (Ohms/100Ft) (Ohms/100m)		8.41 27.6	
Corona Extinction Voltage (K VRMS)		1.2	
Min. Dielectric Strength (KV RMS)		2	
Max. Attenuation (dB/100Ft)	Attenuation	Power	
Max Power (Watts)			
100MHz	11.5	425	
400MHz	24	240	
1GHZ	40	160	
2.4GHZ	58.3	90	
5GHz	110	57	
10GHZ	170	30	
<b>MECHANICAL CHARACTERISTICS</b>			
Max. Operating Temperature (°C)		-55/+200	
Min. Bend Radius (inch) (mm)		0.6 15.3	
Weight (g/Ft) (g/M)		7 23	

This part number complies with RoHS.

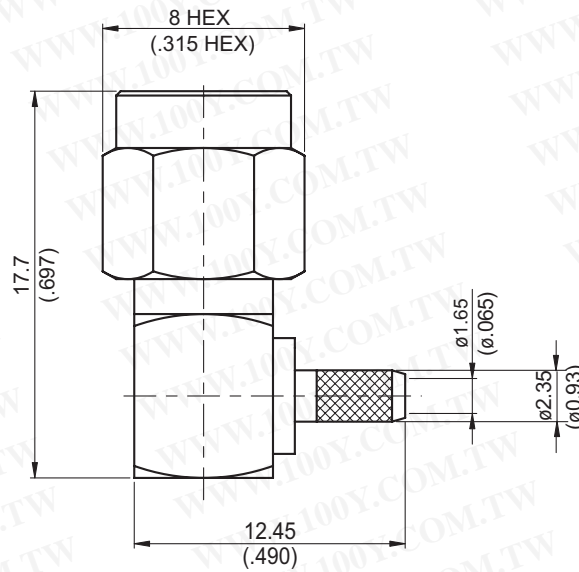
Notice: JYBAO reserves the right to make modifications deemed appropriate.

勝特力材料 886-3-5753170  
 勝特力电子(上海) 86-21-34970699  
 勝特力电子(深圳) 86-755-83298787  
[Http://www.100y.com.tw](http://www.100y.com.tw)

SMA3100-9316

SMA Plug Crimp Right Angle

50Ω



Parts	Material	Plating (Micro-inch)
Ferrule	Brass	Gold 5 Over Nickel 50 Over Copper 50
Cover	Brass	Gold 5 Over Nickel 50 Over Copper 50
Renbrock Ring	Beryllium Copper	Tin-Zinc-Copper-Alloy 100 Over Copper 50
Gasket	Silicon	
Contact Pin	Brass	Gold 20 Over Nickel 50 Over Copper 50
Insulator	Teflon	
Barrel	Brass	Gold 5 Over Nickel 50 Over Copper 50
Body	Brass	Gold 5 Over Nickel 50 Over Copper 50
Coupling Nut	Brass	Gold 5 Over Nickel 50 Over Copper 50

Weight: 4.8 g

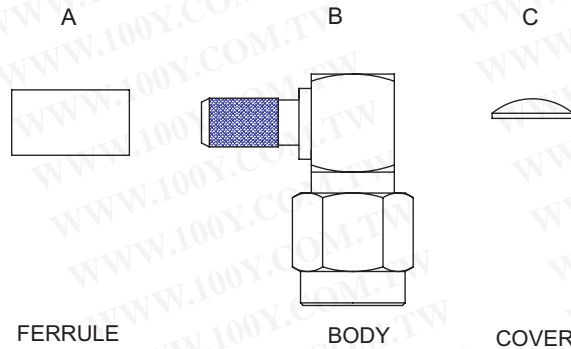
Suitable Cables: RG174, RG188, RG316, JBY100, RG316-E, RG316-FEP

Notice: JYBAO reserves the right to make modifications deemed appropriate.

## CABLE ASSEMBLY INSTRUCTION

SMA3100-9316

JYE BAO CO., LTD.



\* TOOLS AND FIXTURES ARE REFERENCE ON PAGE 306 OF JYEBAO'S 2005 CATALOG.

DIAGRAM	ASSEMBLY INSTRUCTION
	<p>Step 1: STRIP AS SHOWN.</p>
	<p>Step 2: SLIDE FERRULE "A" OVER CABLE.            Step 3: WRAP THE BRAIDING UPWARDS.            Step 4: SLIDE CENTER CONDUCTOR ON THE CONTACT PIN OF CONNECTOR "B", AND SOLDER IN "Y".</p>
	<p>Step 5: SLIDE FERRULE "A" TOWARDS THE CONNECTOR "B" AND CRIMP.</p>
	<p>Step 6: PRESS ON THE TOP OF "C" WITH JIGS AS SHOWN.</p>

Notice: JYEBAO reserves the right to make modifications deemed appropriate.