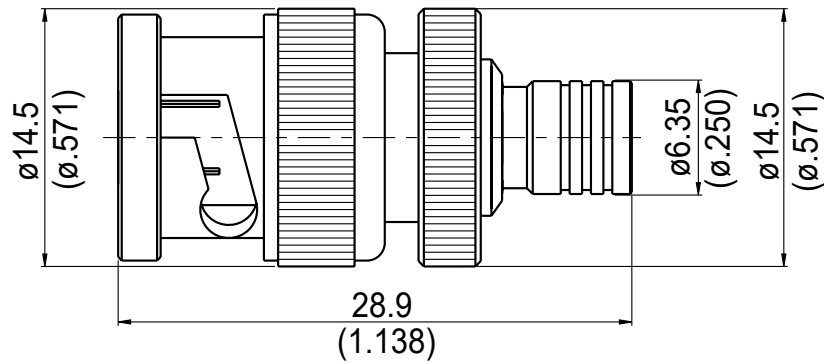


AD-B3S3

BNC Plug To SMB Plug  
4GHz VSWR 1.2



| Parts             | Material         | Plating (Micro-inch)                                  |
|-------------------|------------------|---|
| Renber Ring       | Berullium Copper | Gold 4 Over Nickel-Phosphorus Alloy 80 Over Copper 20 |
| Body (SMB)        | Brass            | Gold 4 Over Nickel-Phosphorus Alloy 80 Over Copper 20 |
| Contact Body(SMB) | Brass            | Gold 4 Over Nickel-Phosphorus Alloy 80 Over Copper 20 |
| Contact Pin       | Phosphor Bronze  | Gold 4 Over Nickel-Phosphorus Alloy 80 Over Copper 20 |
| Gasket            | Silicon          |   |
| Spring            | SK5              | Tin-Zinc-Copper-Alloy 100 Over Copper 50              |
| Washer            | Brass            | Tin-Zinc-Copper-Alloy 100 Over Copper 50              |
| Insulator         | Teflon           |   |
| Body(BNC)         | Brass            | Tin-Zinc-Copper-Alloy 100 Over Copper 50              |
| Coupling Nut(BNC) | Brass            | Tin-Zinc-Copper-Alloy 100 Over Copper 50              |

Weight: 14.13 g

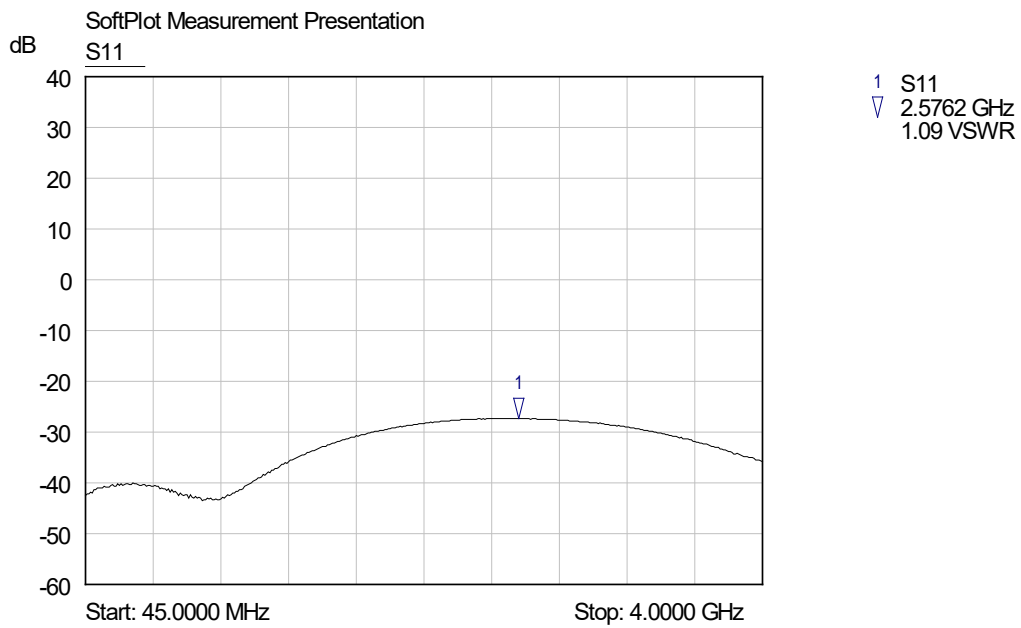
This part number complies with RoHS.

Notice: JYBAO reserves the right to make modifications deemed appropriate.

| AD-B3S3   | BNC Plug To SMB Plug<br>4GHz VSWR 1.2   |                 |
|---|---|-----------------|
| <b>Interface</b><br>Standard<br>Mechanically Compatible With  | <b>BNC</b>  | <b>SMB</b>      |
|   | MIL-STD-348B  | MIL-STD-348B    |
|   |   | SMS             |
| <b>Electrical Data</b><br>Impedance<br>Frequency Range<br>VSWR<br>Insertion Loss<br>Insulation Resistance<br>Dielectric Withstanding Voltage (at sea level)<br>Working Voltage (at sea level) | 50Ω<br>DC To 4GHz<br>≤ 1.2 (DC To 4GHz)<br>≤ 0.05 x √f(GHz) dB<br>≥ 5000MΩ<br>1000 V rms<br>335 V rms                                   |                 |
| <b>Mechanical Data</b><br>Recommended Coupling Nut Torque<br>Coupling Nut Retention Force<br>Engagement Force<br>Disengagement Force<br>Contact Captivation-axial<br>Durability (mating)      | <b>BNC</b>  | <b>SMB</b>      |
|   | 0.6 to 2.5 in-lbs   | NA              |
|   | ≥ 101.2 lbs   | NA              |
|   | NA  | 1.8 to 14.2 lbs |
|   | NA  | 1.8 to 14.2 lbs |
|   | ≥ 6.1 lbs   | ≥ 4 lbs         |
|   | ≥ 500   | ≥ 500           |
| <b>Environmental Data</b><br>Temperature Range<br>Thermal Shock<br>Moisture Resistance<br>Corrosion<br>RoHS   | -65°C to +165°C<br>MIL-STD-202, Method 107, Condition B<br>MIL-STD-202, Method 206<br>MIL-STD-202, Method 101, Condition B<br>Compliant |                 |

Notice: JYEBAO reserves the right to make modifications deemed appropriate.

# AD-B3S3



勝特力電材超市-龍山店 886-3-5773766  
勝特力電材超市-光復店 886-3-5729570  
勝特力電子(上海) 86-21-34970699  
勝特力電子(深圳) 86-755-83298787  
<http://www.100y.com.tw>