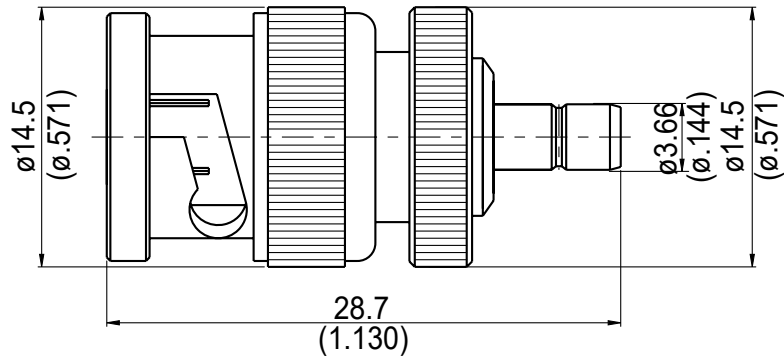


AD-B3S8

BNC Plug To SMB Jack  
4GHz VSWR 1.2



Parts	Material	Plating (Micro-inch)
Body(SMB)	Brass	Gold 4 Over Nickel-Phosphorus Alloy 80 Over Copper 20
Contact Pin	Brass	Gold 4 Over Nickel-Phosphorus Alloy 80 Over Copper 20
Gasket	Silicon	
Spring	SK5	Tin-Zinc-Copper-Alloy 100 Over Copper 50
Washer	Brass	Tin-Zinc-Copper-Alloy 100 Over Copper 50
Insulator	Teflon	
Body(BNC)	Brass	Tin-Zinc-Copper-Alloy 100 Over Copper 50
Coupling Nut(BNC)	Brass	Tin-Zinc-Copper-Alloy 100 Over Copper 50

Weight: 13.6 g

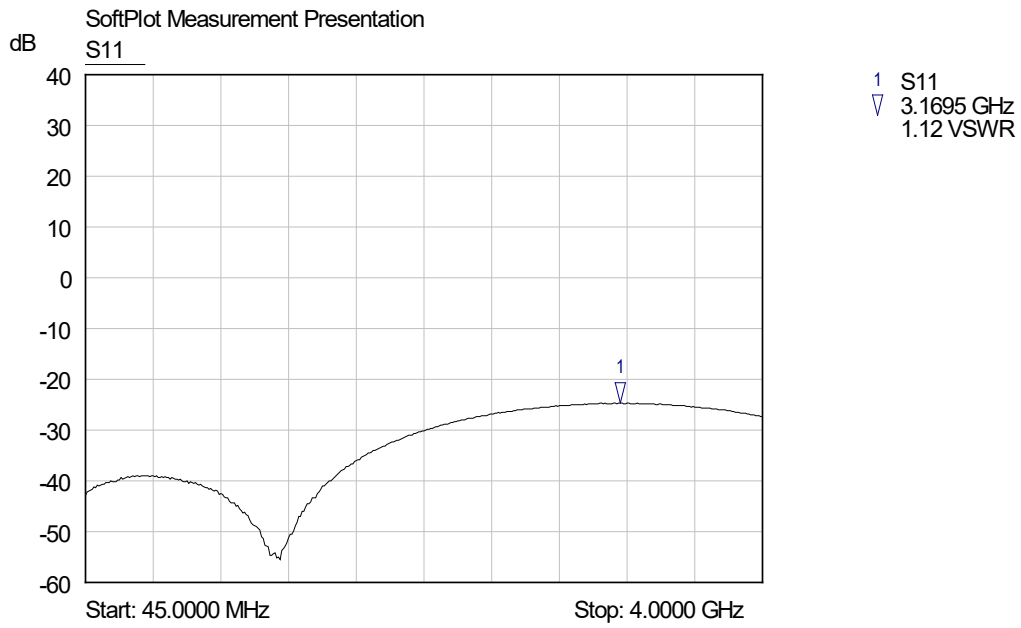
This part number complies with RoHS.

Notice: JYBAO reserves the right to make modifications deemed appropriate.

AD-B3S8	BNC Plug To SMB Jack 4GHz VSWR 1.2															
<b>Interface</b> Standard Mechanically Compatible With	<table border="1"> <thead> <tr> <th data-bbox="780 344 1123 394">BNC</th> <th data-bbox="1123 344 1481 394">SMB</th> </tr> </thead> <tbody> <tr> <td data-bbox="780 394 1123 443">MIL-STD-348B</td> <td data-bbox="1123 394 1481 443">MIL-STD-348B</td> </tr> <tr> <td data-bbox="780 443 1123 510"></td> <td data-bbox="1123 443 1481 510">SMS</td> </tr> </tbody> </table>	BNC	SMB	MIL-STD-348B	MIL-STD-348B		SMS									
BNC	SMB															
MIL-STD-348B	MIL-STD-348B															
	SMS															
<b>Electrical Data</b> Impedance Frequency Range VSWR Insertion Loss Insulation Resistance Dielectric Withstanding Voltage (at sea level) Working Voltage (at sea level)	50Ω DC To 4GHz ≤ 1.2 (DC To 4GHz) ≤ 0.05 x √f(GHz) dB ≥ 5000MΩ 1000 V rms 335 V rms															
<b>Mechanical Data</b> Recommended Coupling Nut Torque Coupling Nut Retention Force Engagement Force Disengagement Force Contact Captivation-axial Durability (mating)	<table border="1"> <thead> <tr> <th data-bbox="780 1084 1123 1133">BNC</th> <th data-bbox="1123 1084 1481 1133">SMB</th> </tr> </thead> <tbody> <tr> <td data-bbox="780 1133 1123 1182">0.6 to 2.5 in-lbs</td> <td data-bbox="1123 1133 1481 1182">NA</td> </tr> <tr> <td data-bbox="780 1182 1123 1232">≥ 101.2 lbs</td> <td data-bbox="1123 1182 1481 1232">NA</td> </tr> <tr> <td data-bbox="780 1232 1123 1281">NA</td> <td data-bbox="1123 1232 1481 1281">1.8 to 14.2 lbs</td> </tr> <tr> <td data-bbox="780 1281 1123 1330">NA</td> <td data-bbox="1123 1281 1481 1330">1.8 to 14.2 lbs</td> </tr> <tr> <td data-bbox="780 1330 1123 1379">≥ 6.1 lbs</td> <td data-bbox="1123 1330 1481 1379">≥ 4 lbs</td> </tr> <tr> <td data-bbox="780 1379 1123 1429">≥ 500</td> <td data-bbox="1123 1379 1481 1429">≥ 500</td> </tr> </tbody> </table>		BNC	SMB	0.6 to 2.5 in-lbs	NA	≥ 101.2 lbs	NA	NA	1.8 to 14.2 lbs	NA	1.8 to 14.2 lbs	≥ 6.1 lbs	≥ 4 lbs	≥ 500	≥ 500
BNC	SMB															
0.6 to 2.5 in-lbs	NA															
≥ 101.2 lbs	NA															
NA	1.8 to 14.2 lbs															
NA	1.8 to 14.2 lbs															
≥ 6.1 lbs	≥ 4 lbs															
≥ 500	≥ 500															
<b>Environmental Data</b> Temperature Range Thermal Shock Moisture Resistance Corrosion RoHS	-65°C to +165°C MIL-STD-202, Method 107, Condition B MIL-STD-202, Method 206 MIL-STD-202, Method 101, Condition B Compliant															

Notice: JYEBAO reserves the right to make modifications deemed appropriate.

# AD-B3S8



勝特力電材超市-龍山店 886-3-5773766  
勝特力電材超市-光復店 886-3-5729570  
勝特力電子(上海) 86-21-34970699  
勝特力電子(深圳) 86-755-83298787  
<http://www.100y.com.tw>