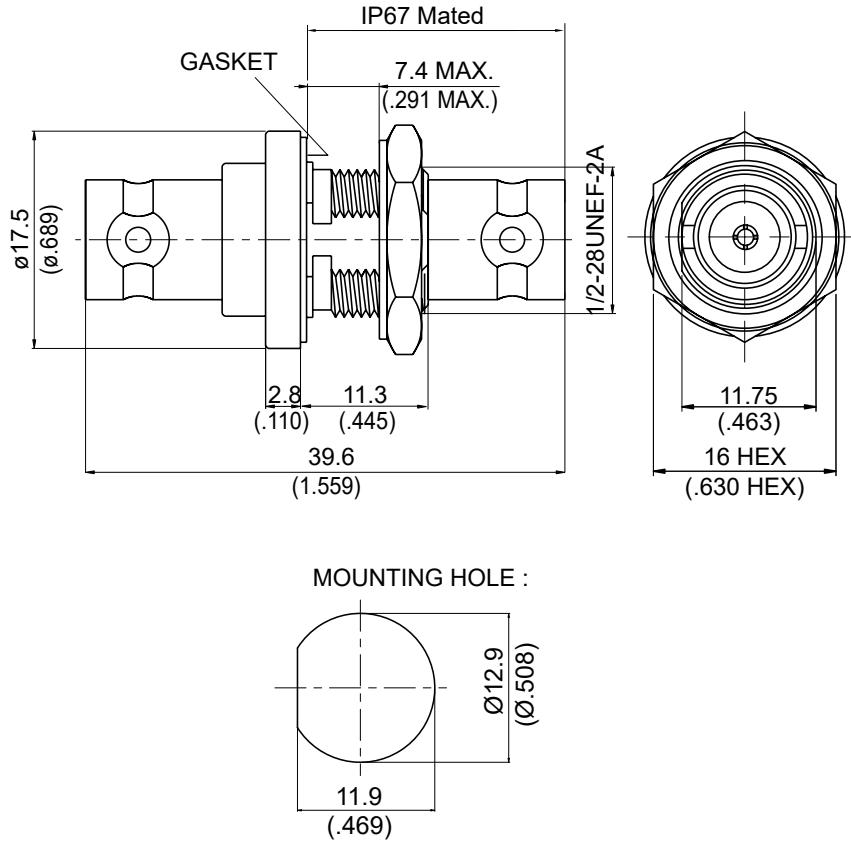


AD-B8B8-BF-75

BNC Jack to BNC Jack Bulkhead
IP67 Mated; 3GHz VSWR 1.2

75Ω



Parts	Material	Plating (Micro-inch)
Contact Pin	Phosphor Bronze	Gold 4 Over Nickel-Phosphorus Alloy 80 Over Copper 20
Nut Hex	Brass	Tin-Zinc-Copper-Alloy 100 Over Copper 50
Washer	Brass	Tin-Zinc-Copper-Alloy 100 Over Copper 50
Gasket	Silicon	
Insulator	Teflon	
Body	Brass	Tin-Zinc-Copper-Alloy 100 Over Copper 50

Weight: 20.86 g

This part number complies with RoHS.

Notice: JYBAO reserves the right to make modifications deemed appropriate.

AD-B8B8-BF-75	BNC Jack to BNC Jack Bulkhead IP67 Mated, 3GHz VSWR 1.2	75Ω																								
<table border="0"> <tr> <td data-bbox="113 338 531 394">Interface</td> <td colspan="2"></td> </tr> <tr> <td data-bbox="113 394 531 539">Standard</td> <td colspan="2" data-bbox="531 394 1481 539">MIL-STD-348B</td> </tr> </table>			Interface			Standard	MIL-STD-348B																			
Interface																										
Standard	MIL-STD-348B																									
<table border="0"> <tr> <td data-bbox="113 555 531 611">Electrical Data</td> <td colspan="2"></td> </tr> <tr> <td data-bbox="113 611 531 656">Impedance</td> <td colspan="2" data-bbox="531 611 1481 656">75Ω</td> </tr> <tr> <td data-bbox="113 656 531 701">Frequency Range</td> <td colspan="2" data-bbox="531 656 1481 701">DC to 3GHz</td> </tr> <tr> <td data-bbox="113 701 531 745">VSWR</td> <td colspan="2" data-bbox="531 701 1481 745">≤ 1.2 (DC To 3GHz)</td> </tr> <tr> <td data-bbox="113 745 531 790">Insertion Loss</td> <td colspan="2" data-bbox="531 745 1481 790">≤ 0.06 x √f(GHz) dB</td> </tr> <tr> <td data-bbox="113 790 531 835">Insulation Resistance</td> <td colspan="2" data-bbox="531 790 1481 835">≥ 5000MΩ</td> </tr> <tr> <td data-bbox="113 835 531 880">Dielectric Withstanding Voltage (at sea level)</td> <td colspan="2" data-bbox="531 835 1481 880">1500 V rms</td> </tr> <tr> <td data-bbox="113 880 531 925">Working Voltage (at sea level)</td> <td colspan="2" data-bbox="531 880 1481 925">500 V rms</td> </tr> </table>			Electrical Data			Impedance	75Ω		Frequency Range	DC to 3GHz		VSWR	≤ 1.2 (DC To 3GHz)		Insertion Loss	≤ 0.06 x √f(GHz) dB		Insulation Resistance	≥ 5000MΩ		Dielectric Withstanding Voltage (at sea level)	1500 V rms		Working Voltage (at sea level)	500 V rms	
Electrical Data																										
Impedance	75Ω																									
Frequency Range	DC to 3GHz																									
VSWR	≤ 1.2 (DC To 3GHz)																									
Insertion Loss	≤ 0.06 x √f(GHz) dB																									
Insulation Resistance	≥ 5000MΩ																									
Dielectric Withstanding Voltage (at sea level)	1500 V rms																									
Working Voltage (at sea level)	500 V rms																									
<table border="0"> <tr> <td data-bbox="113 1052 531 1108">Mechanical Data</td> <td colspan="2"></td> </tr> <tr> <td data-bbox="113 1108 531 1153">Recommended Coupling Nut Torque</td> <td colspan="2" data-bbox="531 1108 1481 1153">0.6 to 2.5 in-lbs</td> </tr> <tr> <td data-bbox="113 1153 531 1198">Contact Captivation-axial</td> <td colspan="2" data-bbox="531 1153 1481 1198">≥ 6.1 lbs</td> </tr> <tr> <td data-bbox="113 1198 531 1243">Durability (mating)</td> <td colspan="2" data-bbox="531 1198 1481 1243">≥ 500</td> </tr> </table>			Mechanical Data			Recommended Coupling Nut Torque	0.6 to 2.5 in-lbs		Contact Captivation-axial	≥ 6.1 lbs		Durability (mating)	≥ 500													
Mechanical Data																										
Recommended Coupling Nut Torque	0.6 to 2.5 in-lbs																									
Contact Captivation-axial	≥ 6.1 lbs																									
Durability (mating)	≥ 500																									
<table border="0"> <tr> <td data-bbox="113 1406 531 1462">Environmental Data</td> <td colspan="2"></td> </tr> <tr> <td data-bbox="113 1462 531 1507">Temperature Range</td> <td colspan="2" data-bbox="531 1462 1481 1507">-65°C to +165°C</td> </tr> <tr> <td data-bbox="113 1507 531 1552">Thermal Shock</td> <td colspan="2" data-bbox="531 1507 1481 1552">MIL-STD-202, Method 107, Condition B</td> </tr> <tr> <td data-bbox="113 1552 531 1597">Moisture Resistance</td> <td colspan="2" data-bbox="531 1552 1481 1597">MIL-STD-202, Method 206</td> </tr> <tr> <td data-bbox="113 1597 531 1641">Corrosion</td> <td colspan="2" data-bbox="531 1597 1481 1641">MIL-STD-202, Method 101, Condition B</td> </tr> <tr> <td data-bbox="113 1641 531 1686">RoHS</td> <td colspan="2" data-bbox="531 1641 1481 1686">Compliant</td> </tr> </table>			Environmental Data			Temperature Range	-65°C to +165°C		Thermal Shock	MIL-STD-202, Method 107, Condition B		Moisture Resistance	MIL-STD-202, Method 206		Corrosion	MIL-STD-202, Method 101, Condition B		RoHS	Compliant							
Environmental Data																										
Temperature Range	-65°C to +165°C																									
Thermal Shock	MIL-STD-202, Method 107, Condition B																									
Moisture Resistance	MIL-STD-202, Method 206																									
Corrosion	MIL-STD-202, Method 101, Condition B																									
RoHS	Compliant																									

Notice: JYEBAO reserves the right to make modifications deemed appropriate.