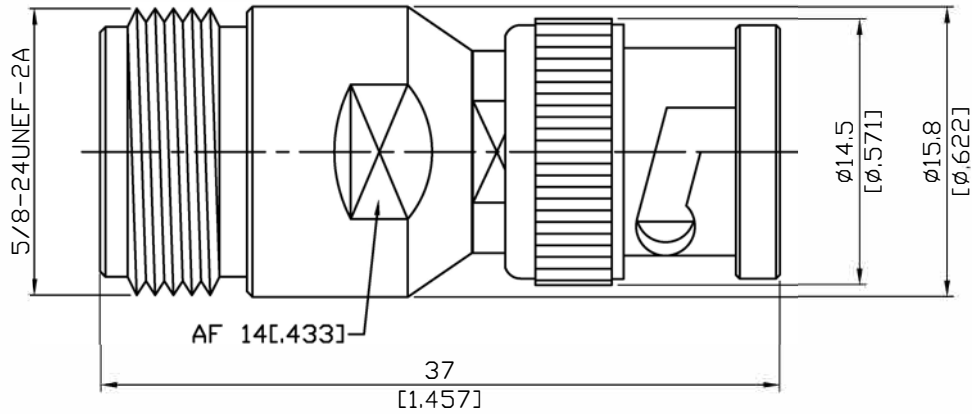


勝特力電材超市-龍山店 886-3-5773766  
 勝特力電材超市-光復店 886-3-5729570  
 勝特力电子(上海) 86-21-34970699  
 勝特力电子(深圳) 86-755-83298787  
<http://www.100y.com.tw>

**N Jack To BNC Plug**  
**11GHz VSWR 1.25**

**50Ω**



Parts	Material	Plating ( Micro-inch )
Contact Pin	Beryllium Copper	Gold 4 Over Nickel-Phosphorus Alloy 80 Over Copper 20
Insulator	Teflon	
Body	Brass	Tin-Zinc-Copper-Alloy 100 Over Copper 50
Washer	Brass	Tin-Zinc-Copper-Alloy 100 Over Copper 50
Gasket	Silicon	
Coupling Nut	Brass	Tin-Zinc-Copper-Alloy 100 Over Copper 50
Spring	SK5	Tin-Zinc-Copper-Alloy 100 Over Copper 50

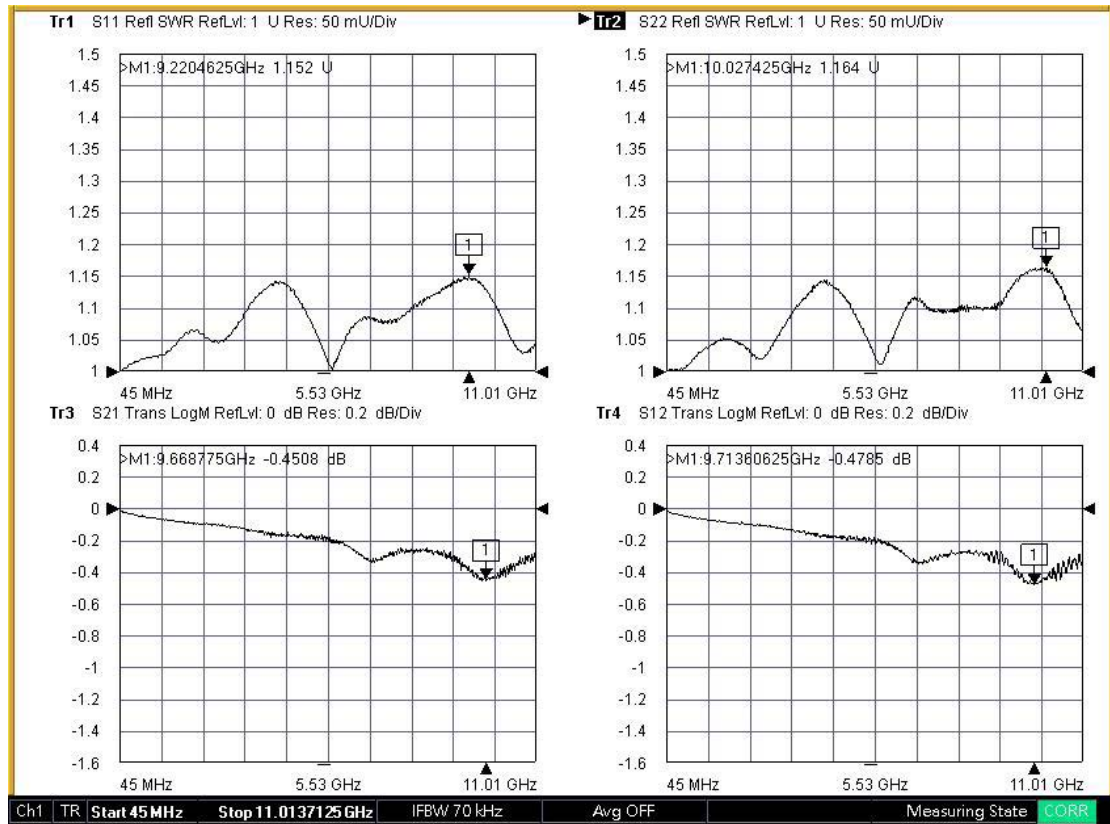
This part number complies with RoHS.

Notice: JYEBAO reserves the right to make modifications deemed appropriate.

AD-N8B3	N Jack To BNC Plug 11GHz VSWR 1.25													
<b>Interface</b> Standard	<table border="1"> <thead> <tr> <th data-bbox="780 344 1123 394">N</th> <th data-bbox="1123 344 1481 394">BNC</th> </tr> </thead> <tbody> <tr> <td data-bbox="780 394 1123 443">MIL-STD-348B</td> <td data-bbox="1123 394 1481 443">MIL-STD-348B</td> </tr> </tbody> </table>	N	BNC	MIL-STD-348B	MIL-STD-348B									
N	BNC													
MIL-STD-348B	MIL-STD-348B													
<b>Electrical Data</b> Impedance Frequency Range VSWR Insertion Loss Insulation Resistance Dielectric Withstanding Voltage (at sea level) Working Voltage (at sea level)	<table> <tbody> <tr> <td>50Ω</td> </tr> <tr> <td>DC To 11GHz</td> </tr> <tr> <td>≤ 1.25 (DC To 11GHz)</td> </tr> <tr> <td>≤ 0.06 x √f(GHz) dB</td> </tr> <tr> <td>≥ 5000MΩ</td> </tr> <tr> <td>1500 V rms</td> </tr> <tr> <td>500 V rms</td> </tr> </tbody> </table>		50Ω	DC To 11GHz	≤ 1.25 (DC To 11GHz)	≤ 0.06 x √f(GHz) dB	≥ 5000MΩ	1500 V rms	500 V rms					
50Ω														
DC To 11GHz														
≤ 1.25 (DC To 11GHz)														
≤ 0.06 x √f(GHz) dB														
≥ 5000MΩ														
1500 V rms														
500 V rms														
<b>Mechanical Data</b> Recommended Coupling Nut Torque Coupling Proof Torque Coupling Nut Retention Force Contact Captivation-axial Durability (mating)	<table border="1"> <thead> <tr> <th data-bbox="780 1111 1123 1160">N</th> <th data-bbox="1123 1111 1481 1160">BNC</th> </tr> </thead> <tbody> <tr> <td data-bbox="780 1160 1123 1209">6 to 10 in-lbs</td> <td data-bbox="1123 1160 1481 1209">0.6 to 2.5 in-lbs</td> </tr> <tr> <td data-bbox="780 1209 1123 1258">15 in-lbs</td> <td data-bbox="1123 1209 1481 1258">NA</td> </tr> <tr> <td data-bbox="780 1258 1123 1308">NA</td> <td data-bbox="1123 1258 1481 1308">≥ 101.2 lbs</td> </tr> <tr> <td data-bbox="780 1308 1123 1357">≥ 6.3 lbs</td> <td data-bbox="1123 1308 1481 1357">≥ 6.1 lbs</td> </tr> <tr> <td data-bbox="780 1357 1123 1406">≥ 500</td> <td data-bbox="1123 1357 1481 1406">≥ 500</td> </tr> </tbody> </table>		N	BNC	6 to 10 in-lbs	0.6 to 2.5 in-lbs	15 in-lbs	NA	NA	≥ 101.2 lbs	≥ 6.3 lbs	≥ 6.1 lbs	≥ 500	≥ 500
N	BNC													
6 to 10 in-lbs	0.6 to 2.5 in-lbs													
15 in-lbs	NA													
NA	≥ 101.2 lbs													
≥ 6.3 lbs	≥ 6.1 lbs													
≥ 500	≥ 500													
<b>Environmental Data</b> Temperature Range Thermal Shock Moisture Resistance Corrosion RoHS	<table> <tbody> <tr> <td>-65°C to +165°C</td> </tr> <tr> <td>MIL-STD-202, Method 107, Condition B</td> </tr> <tr> <td>MIL-STD-202, Method 206</td> </tr> <tr> <td>MIL-STD-202, Method 101, Condition B</td> </tr> <tr> <td>Compliant</td> </tr> </tbody> </table>		-65°C to +165°C	MIL-STD-202, Method 107, Condition B	MIL-STD-202, Method 206	MIL-STD-202, Method 101, Condition B	Compliant							
-65°C to +165°C														
MIL-STD-202, Method 107, Condition B														
MIL-STD-202, Method 206														
MIL-STD-202, Method 101, Condition B														
Compliant														

Notice: JYEBAO reserves the right to make modifications deemed appropriate.

# AD-N8B3



Note: S11/S12/S21/S22 plots shown represent IL and VSWR of two adaptors tested. To extract IL of a single adaptor divide IL measured by two.

勝特力電材超市-龍山店 886-3-5773766  
勝特力電材超市-光復店 886-3-5729570  
勝特力電子(上海) 86-21-34970699  
勝特力電子(深圳) 86-755-83298787  
<http://www.100y.com.tw>