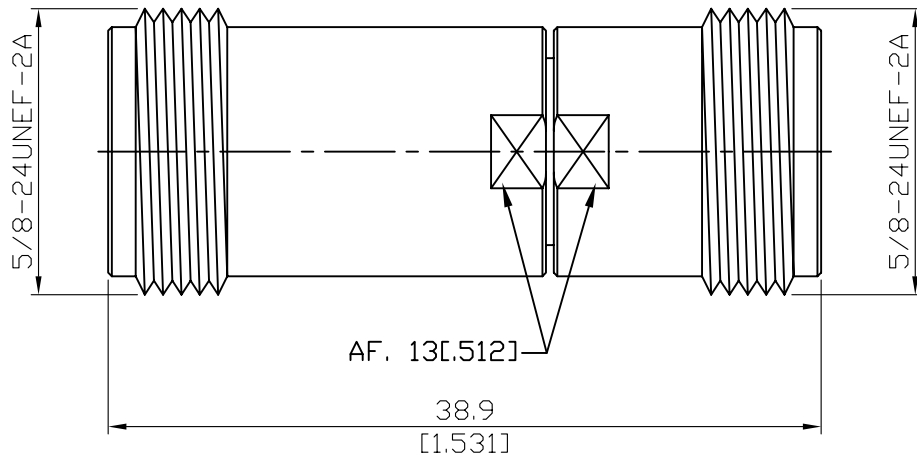


ADS-N8N8-18-1.15

N Jack to N Jack
18GHz VSWR 1.15

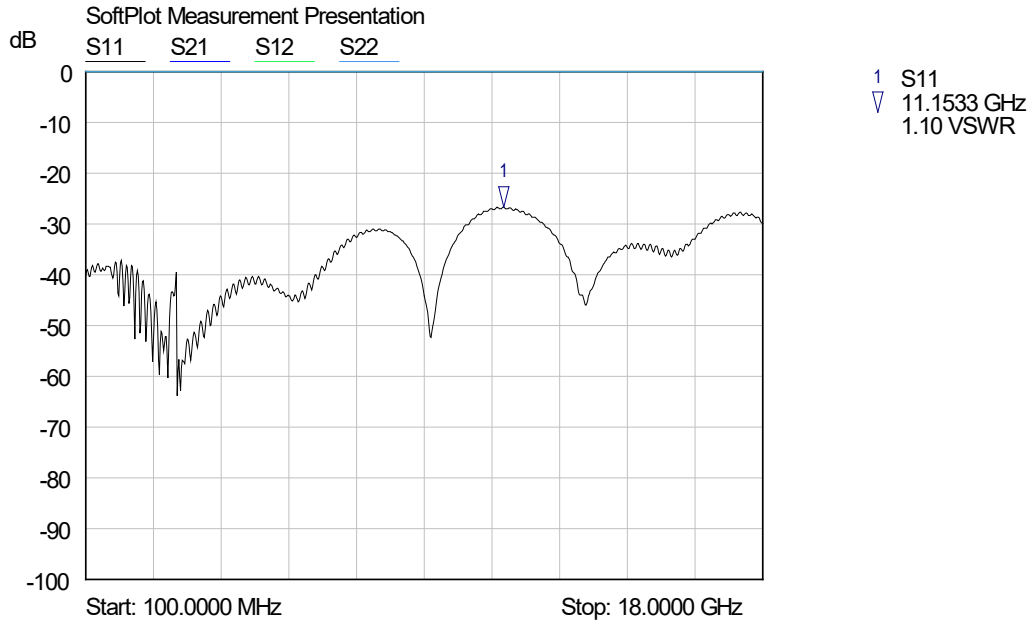
50Ω



Parts	Material	Plating (Micro-inch)
Contact Pin	Beryllium Copper	Gold 4 Over Nickel-Phosphorus Alloy 80 Over Copper 20
Insulator	PPO	
Body	Stainless Steel	Passivated

ADS-N8N8-18-1.15	N Jack to N Jack 18GHz VSWR 1.15
<div data-bbox="129 342 531 394" style="border: 1px solid black; padding: 2px;">Interface</div> Standard	MIL-STD-348B
<div data-bbox="129 557 531 609" style="border: 1px solid black; padding: 2px;">Electrical Data</div> Impedance Frequency Range VSWR Insertion Loss Insulation Resistance Dielectric Withstanding Voltage (at sea level) Working Voltage (at sea level)	50Ω DC to 18GHz ≤ 1.15 (DC To 18GHz) $\leq 0.05 \times \sqrt{f(\text{GHz})}$ dB $\geq 5000\text{M}\Omega$ 2500 V rms 1000 V rms
<div data-bbox="129 1055 531 1106" style="border: 1px solid black; padding: 2px;">Mechanical Data</div> Recommended Coupling Nut Torque Coupling Proof Torque Contact Captivation-axial Durability (mating)	6 to 10 in-lbs 15 in-lbs ≥ 6.3 lbs ≥ 500
<div data-bbox="129 1453 531 1505" style="border: 1px solid black; padding: 2px;">Environmental Data</div> Temperature Range Thermal Shock Moisture Resistance Corrosion RoHS	-55°C to +105°C MIL-STD-202, Method 107, Condition B MIL-STD-202, Method 206 MIL-STD-202, Method 101, Condition B Compliant

ADS-N8N8-18-1.15



勝特力電材超市-龍山店 886-3-5773766
勝特力電材超市-光復店 886-3-5729570
勝特力电子(上海) 86-21-34970699
勝特力电子(深圳) 86-755-83298787
<http://www.100y.com.tw>