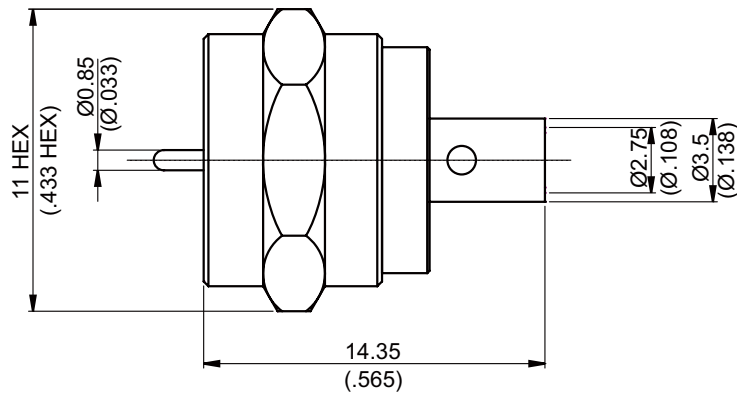


勝特力電材超市-龍山店 886-3-5773766
 勝特力電材超市-光復店 886-3-5729570
 勝特力电子(上海) 86-21-34970699
 勝特力电子(深圳) 86-755-83298787
<http://www.100y.com.tw>

F3300-0085/F

F Plug Solder For 75ohm .085 semi-rigid; 75Ω
4GHz VSWR 1.25



Parts	Material	Plating (Micro-inch)
Contact Pin	Brass	Gold 4 Over Nickel-Phosphorus Alloy 80 Over Copper 20
Retainer Ring	Brass	Nickel 200 Over Copper 50
Insulator	Teflon	
Body	Brass	Nickel 200 Over Copper 50
Coupling Nut	Brass	Nickel 200 Over Copper 50

Suitable Cables: 75Ω .085 Jacketed Conformable cable

F

F3300-0085/F

Interface

IEC 61169-24

Electrical Data

Impedance	75Ω
Frequency range	DC to 4GHz
VSWR	≤ 1.25 (DC to 4GHz)
Insertion loss	≤ 0.1dB at 1GHz; ≤ 0.2dB at 2GHz; ≤ 0.3dB at 3GHz
Insulation resistance	≥ 10000MΩ
Contact resistance inner conductor	≤ 5mΩ
Contact resistance outer conductor	≤ 2.5mΩ
Dielectric withstanding voltage (at sea level)	1500 V rms
Working Voltage (at sea level)	500 V rms

Mechanical Data

Recommended coupling nut torque	15 to 20 inch lbs
Coupling proof torque	60 inch lbs
Durability (mating)	≥ 500

Environmental Data

Temperature range	-65°C to +165°C
Thermal shock	MIL-STD-202, Method 107, Condition B
Moisture resistance	MIL-STD-202, Method 106
Corrosion	MIL-STD-202, Method 101, Condition B
RoHS	Compliant

Tooling

Soldering gauge	ST-002
Locator tool	ST-011
Soldering fixture	ST-008
Insert for .085 semi-rigid cable	ST-009

CABLE ASSEMBLY RECOMMENDATION

F3300-0085/F	DATE	2019/11/05	REV	—
--------------	------	------------	-----	---

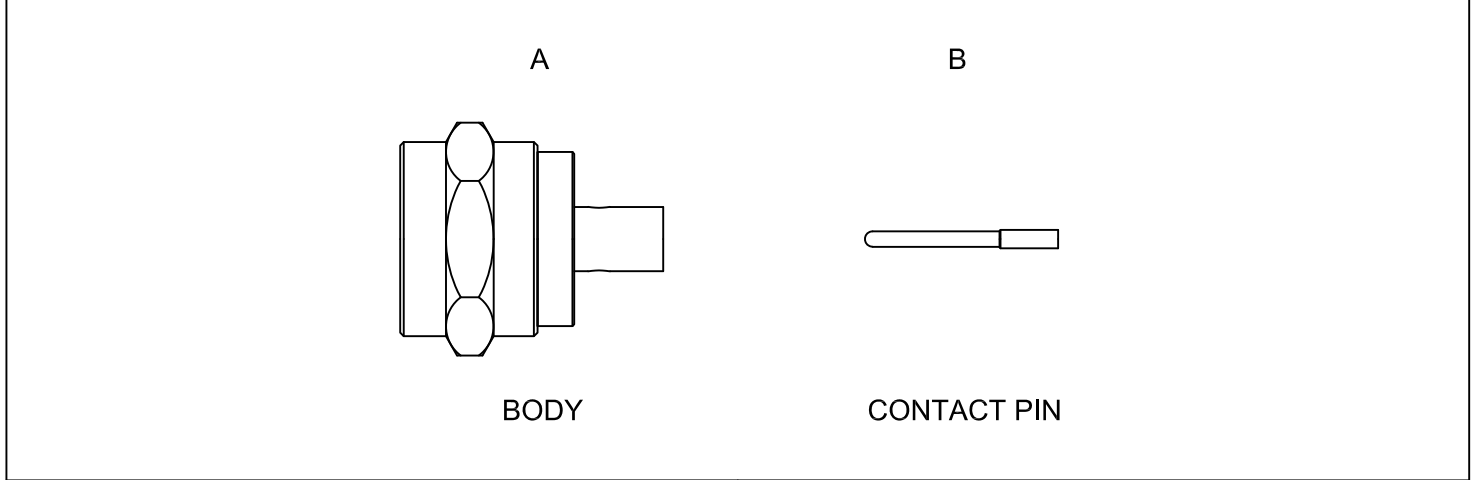
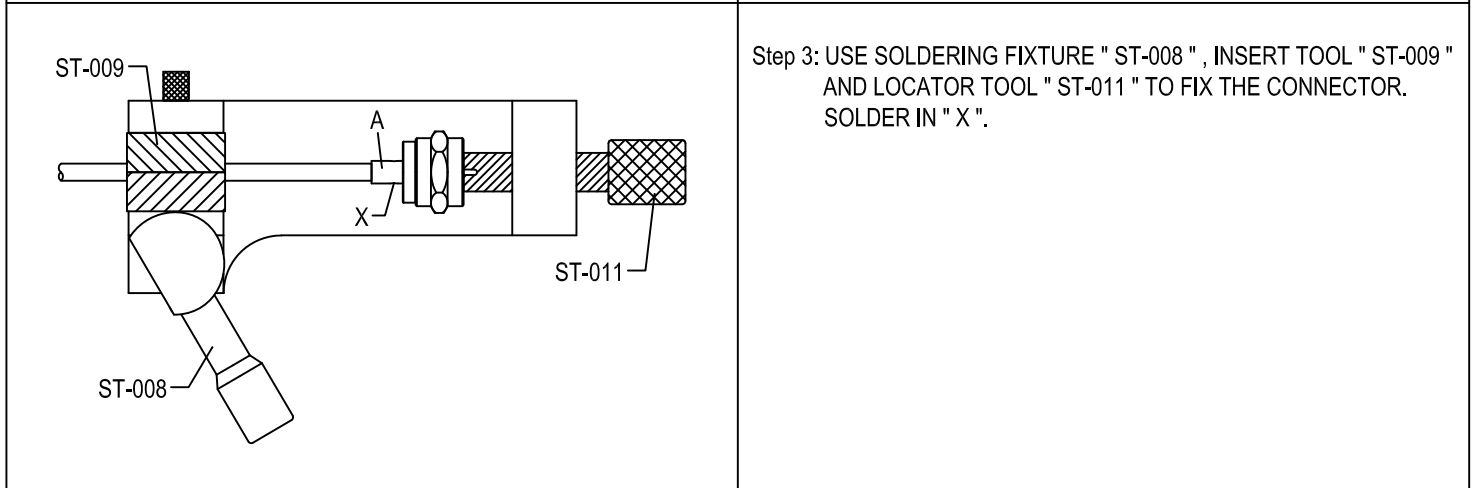
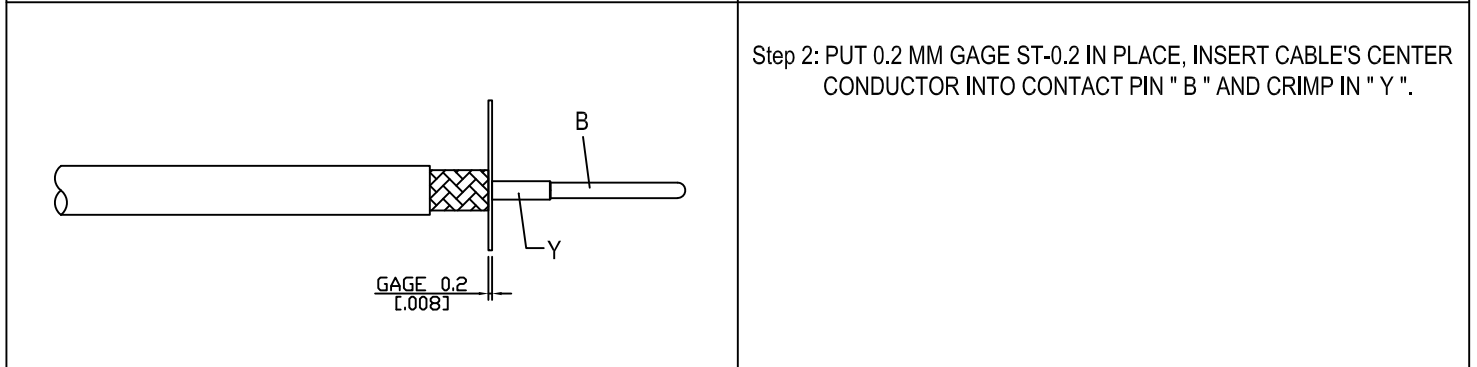
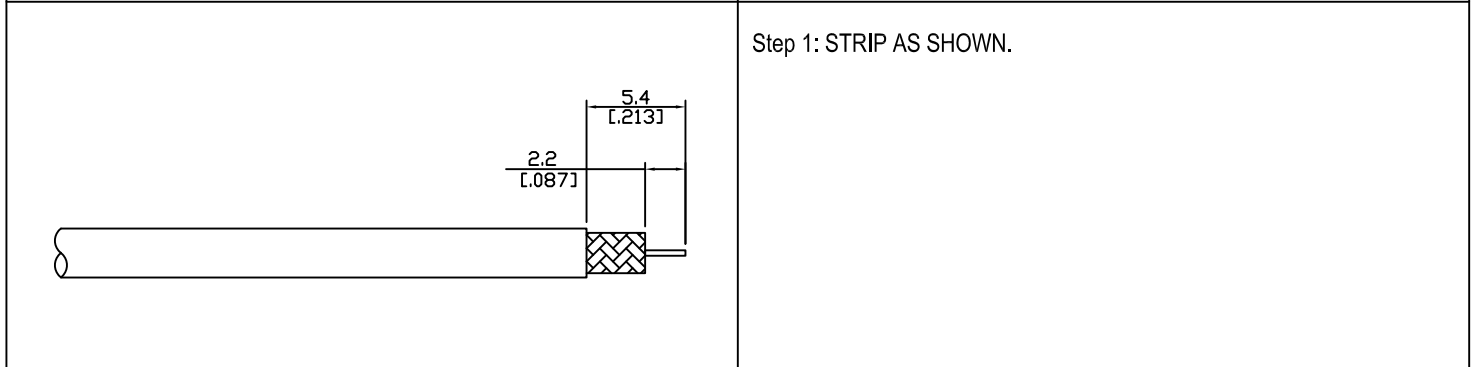


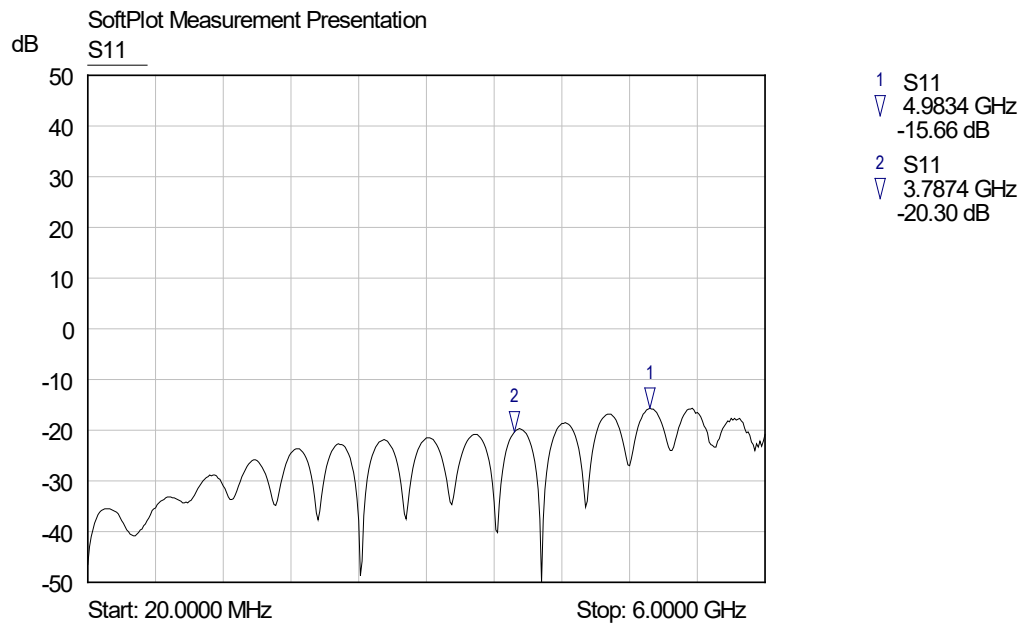
DIAGRAM	ASSEMBLY INSTRUCTION
---------	----------------------



APPROVED	CHECKED	DRAWING
----------	---------	---------

F3300-0085/F

S11



勝特力電材超市-龍山店 886-3-5773766
勝特力電材超市-光復店 886-3-5729570
勝特力電子(上海) 86-21-34970699
勝特力電子(深圳) 86-755-83298787
<http://www.100y.com.tw>