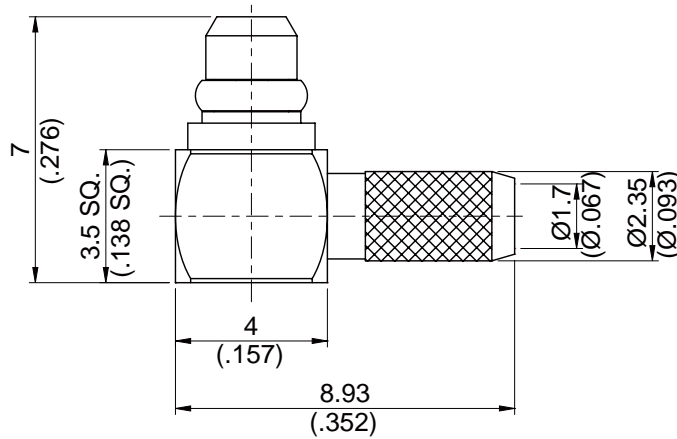


勝特力電材超市-龍山店 886-3-5773766
 勝特力電材超市-光復店 886-3-5729570
 勝特力电子(上海) 86-21-34970699
 勝特力电子(深圳) 86-755-83298787
<http://www.100y.com.tw>

MMCX3100-9L100

MMCX Plug Crimp Right Angle
For JBY100,LMR100; 5GHz VSWR 1.25

50Ω



Parts	Material	Plating(Micro-inch)
Ferrule	Brass	Gold 4 Over Nickel Phosphorous Alloy 80 Over Copper 20
Cover	Brass	Gold 4 Over Nickel Phosphorous Alloy 80 Over Copper 20
Insulator	Teflon	
Retainer Ring	Beryllium Copper	Gold 4 Over Nickel Phosphorous Alloy 80 Over Copper 20
Contact Pin	Brass	Gold 4 Over Nickel Phosphorous Alloy 80 Over Copper 20
Body	Brass	Gold 4 Over Nickel Phosphorous Alloy 80 Over Copper 20

Suitable Cables:JBY100,LMR100

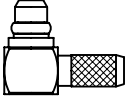


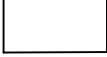

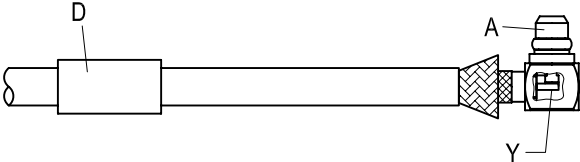
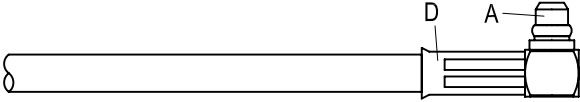
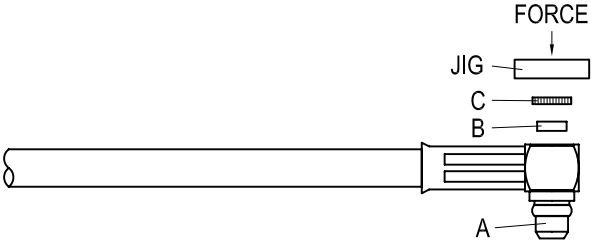
This part number complies with RoHS.

Notice: JYBAO reserves the right to make modifications deemed appropriate.

MMCX	MMCX3100-9L100																		
<div data-bbox="167 344 568 394" style="border: 1px solid black; padding: 2px;">Interface</div> <p data-bbox="167 405 368 439">IEC 61169-52</p>																			
<div data-bbox="167 510 568 560" style="border: 1px solid black; padding: 2px;">Electrical Data</div> <table data-bbox="167 566 1153 981"> <tr> <td>Impedance</td> <td>50Ω</td> </tr> <tr> <td>Frequency range</td> <td>DC to 5GHz</td> </tr> <tr> <td>VSWR</td> <td>≦ 1.25 (5GHz)</td> </tr> <tr> <td>Insertion loss</td> <td>≦ 0.05 x √f(GHz) dB</td> </tr> <tr> <td>Insulation resistance</td> <td>≧ 10000MΩ</td> </tr> <tr> <td>Contact resistance inner conductor</td> <td>≦ 5mΩ</td> </tr> <tr> <td>Contact resistance outer conductor</td> <td>≦ 2.5mΩ</td> </tr> <tr> <td>Dielectric withstanding voltage (at sea level)</td> <td>500 V rms</td> </tr> <tr> <td>Working Voltage (at sea level)</td> <td>170 V rms</td> </tr> </table>		Impedance	50Ω	Frequency range	DC to 5GHz	VSWR	≦ 1.25 (5GHz)	Insertion loss	≦ 0.05 x √f(GHz) dB	Insulation resistance	≧ 10000MΩ	Contact resistance inner conductor	≦ 5mΩ	Contact resistance outer conductor	≦ 2.5mΩ	Dielectric withstanding voltage (at sea level)	500 V rms	Working Voltage (at sea level)	170 V rms
Impedance	50Ω																		
Frequency range	DC to 5GHz																		
VSWR	≦ 1.25 (5GHz)																		
Insertion loss	≦ 0.05 x √f(GHz) dB																		
Insulation resistance	≧ 10000MΩ																		
Contact resistance inner conductor	≦ 5mΩ																		
Contact resistance outer conductor	≦ 2.5mΩ																		
Dielectric withstanding voltage (at sea level)	500 V rms																		
Working Voltage (at sea level)	170 V rms																		
<div data-bbox="167 1099 568 1149" style="border: 1px solid black; padding: 2px;">Mechanical Data</div> <table data-bbox="167 1155 1038 1335"> <tr> <td>Engagement force</td> <td>≦ 3.4 lbs</td> </tr> <tr> <td>Disengagement force</td> <td>1.4 to 3.4 lbs</td> </tr> <tr> <td>Contact captivation-axial</td> <td>≧ 2.3 lbs</td> </tr> <tr> <td>Durability (mating)</td> <td>≧ 500</td> </tr> </table>		Engagement force	≦ 3.4 lbs	Disengagement force	1.4 to 3.4 lbs	Contact captivation-axial	≧ 2.3 lbs	Durability (mating)	≧ 500										
Engagement force	≦ 3.4 lbs																		
Disengagement force	1.4 to 3.4 lbs																		
Contact captivation-axial	≧ 2.3 lbs																		
Durability (mating)	≧ 500																		
<div data-bbox="167 1408 568 1458" style="border: 1px solid black; padding: 2px;">Environmental Data</div> <table data-bbox="167 1464 1422 1688"> <tr> <td>Temperature range</td> <td>-65°C to +165°C</td> </tr> <tr> <td>Thermal shock</td> <td>MIL-STD-202, Method 107, Condition F</td> </tr> <tr> <td>Moisture resistance</td> <td>MIL-STD-202, Method 106</td> </tr> <tr> <td>Corrosion</td> <td>MIL-STD-202, Method 101, Condition B</td> </tr> <tr> <td>RoHS</td> <td>Compliant</td> </tr> </table>		Temperature range	-65°C to +165°C	Thermal shock	MIL-STD-202, Method 107, Condition F	Moisture resistance	MIL-STD-202, Method 106	Corrosion	MIL-STD-202, Method 101, Condition B	RoHS	Compliant								
Temperature range	-65°C to +165°C																		
Thermal shock	MIL-STD-202, Method 107, Condition F																		
Moisture resistance	MIL-STD-202, Method 106																		
Corrosion	MIL-STD-202, Method 101, Condition B																		
RoHS	Compliant																		
<div data-bbox="167 1760 568 1809" style="border: 1px solid black; padding: 2px;">Tooling</div> <table data-bbox="167 1816 1086 1899"> <tr> <td>Crimping tool</td> <td>CRT-1 or CRT-2</td> </tr> <tr> <td>Crimp insert</td> <td>INSERT-A</td> </tr> </table>		Crimping tool	CRT-1 or CRT-2	Crimp insert	INSERT-A														
Crimping tool	CRT-1 or CRT-2																		
Crimp insert	INSERT-A																		

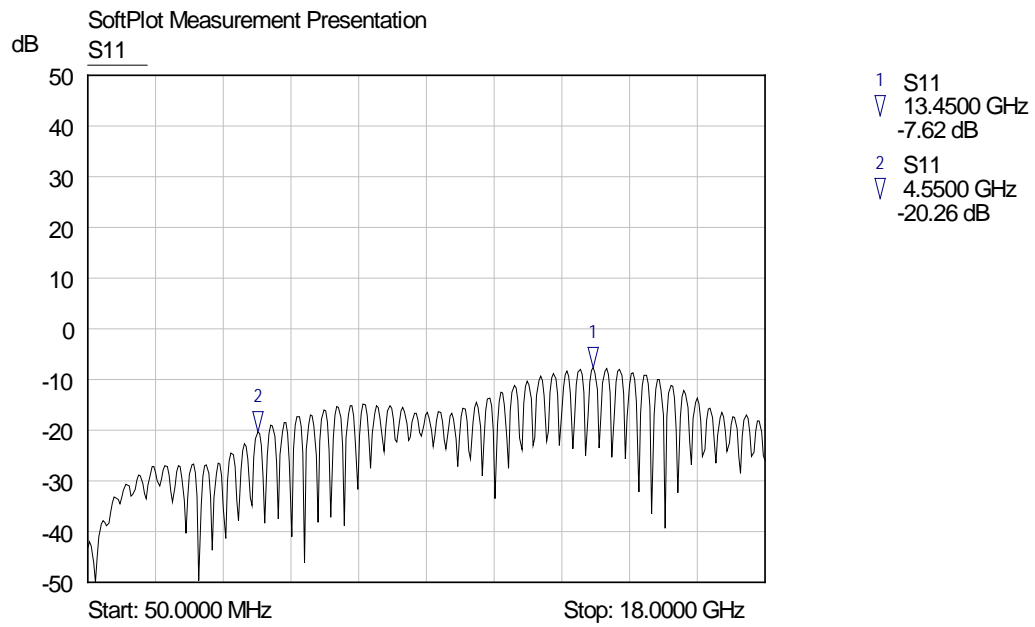
Notice: JYEBAO reserves the right to make modifications deemed appropriate.

CABLE ASSEMBLY INSTRUCTION

MMCX3100-9L100	DATE	2017/03/27	REV	—
<div style="display: flex; justify-content: space-around;"> <div style="text-align: center;"> <p>A</p>  <p>BODY</p> </div> <div style="text-align: center;"> <p>B</p>  <p>INSULATOR</p> </div> <div style="text-align: center;"> <p>C</p>  <p>COVER</p> </div> <div style="text-align: center;"> <p>D</p>  <p>FERRULE</p> </div> </div>				
DIAGRAM	ASSEMBLY INSTRUCTION			
	<p>Step 1: STRIP AS SHOWN.</p>			
	<p>Step 2: SLIDE FERRULE " D " OVER CABLE. Step 3: WRAP THE BRAIDING UPWARDS. Step 4: SLIDE CENTER CONDUCTOR ON THE CONTACT PIN OF CONNECTOR " A " AND SOLDER IN " Y ".</p>			
	<p>Step 5: SLIDE FERRULE " D " TOWARDS THE CONNECTOR " A " AND CRIMP. (USE 3.3mm/0.130inch HEX SECTION OF INSERT-A)</p>			
	<p>Step 6: PRESS ON THE TOP OF " C " AND " B " WITH JIGS.</p>			
<p>This part number complies with RoHS. Notice: JYEBAO reserves the right to make modifications deemed appropriate.</p>				
APPROVED	CHECKED	DRAWING		<i>Albert</i>

MMCX3100-9L100

S11



勝特力電材超市-龍山店 886-3-5773766
勝特力電材超市-光復店 886-3-5729570
勝特力電子(上海) 86-21-34970699
勝特力電子(深圳) 86-755-83298787
<http://www.100y.com.tw>