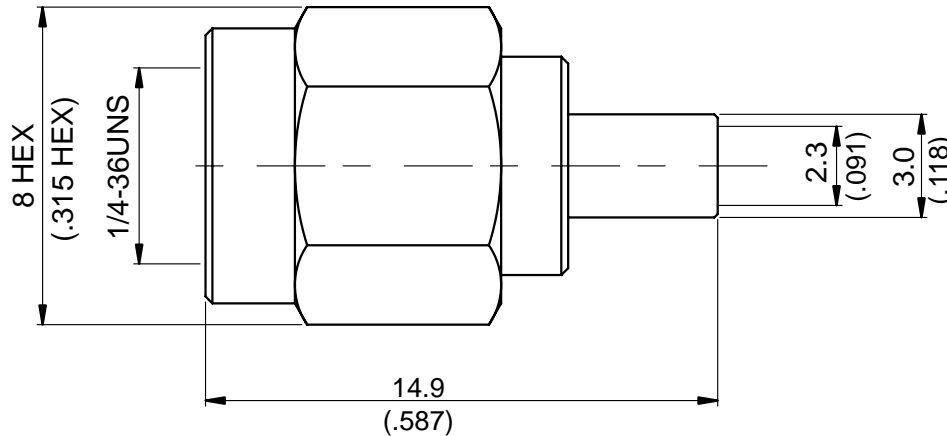


勝特力電材超市-龍山店 886-3-5773766
 勝特力電材超市-光復店 886-3-5729570
 勝特力電子(上海) 86-21-34970699
 勝特力電子(深圳) 86-755-83298787
<http://www.100y.com.tw>

SMA3100A-0178

SMA Plug Crimp For RG178, RG178-FEP
5GHz VSWR 1.2

50Ω



Parts	Material	Plating(Micro-inch)
Ferrule	Brass	Gold 4 Over Nickel-Phosphorus Alloy 80 Over Copper 20
Contact Pin	Brass	Gold 4 Over Nickel-Phosphorus Alloy 80 Over Copper 20
Coupling Nut	Brass	Gold 4 Over Nickel-Phosphorus Alloy 80 Over Copper 20
Insulator	Teflon	
Renber Ring	Beryllium Copper	Tin-Zinc-Copper-Alloy 100 Over Copper 50
Gasket	Silicon	
Insulator	Teflon	
Body	Brass	Gold 4 Over Nickel-Phosphorus Alloy 80 Over Copper 20

Weight: 3.42 g

Suitable Cables: RG178, RG196, RG178-FEP

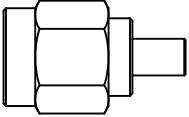
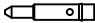



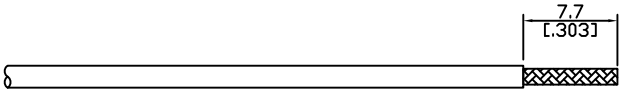
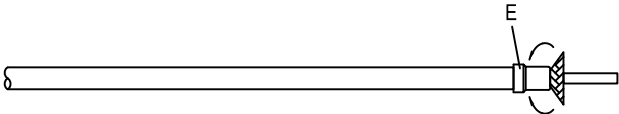
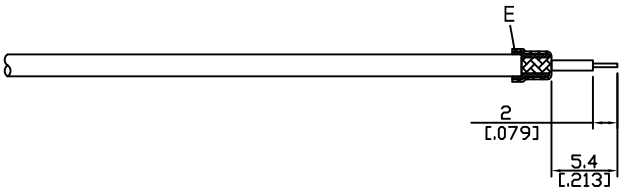
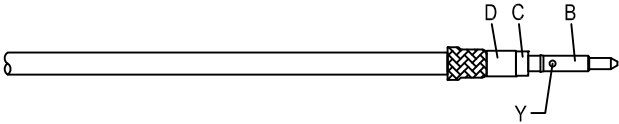
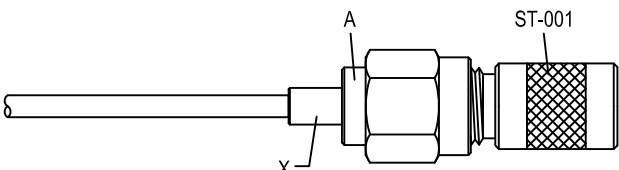
This part number complies with RoHS.

Notice: JYBAO reserves the right to make modifications deemed appropriate.

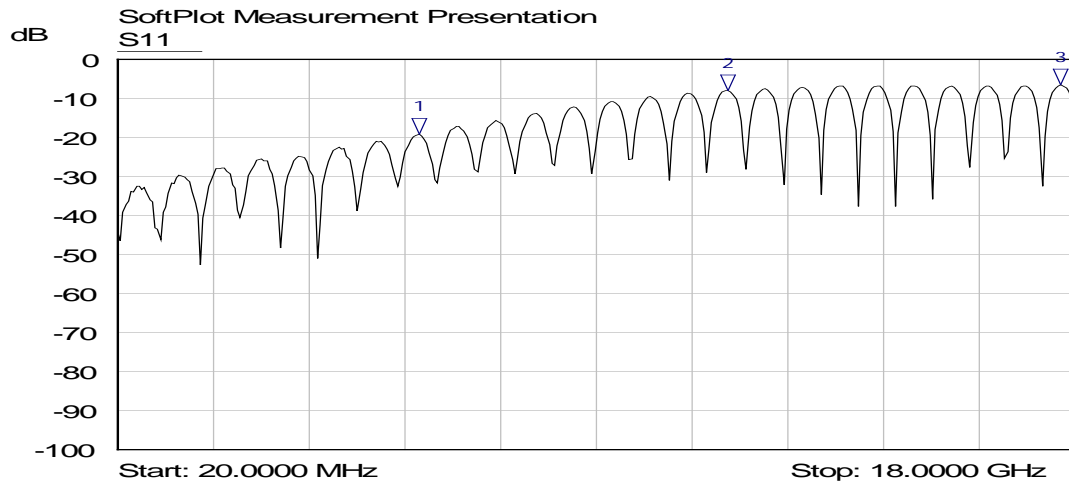
SMA	SMA3100A-0178
<div data-bbox="172 387 568 432" style="border: 1px solid black; padding: 2px;">Interface</div> <p data-bbox="172 443 384 477">MIL-STD-348B</p> <p data-bbox="172 488 1007 521">Mechanically compatible with 2.92 & 3.5</p>	
<div data-bbox="172 553 568 598" style="border: 1px solid black; padding: 2px;">Electrical Data</div> <p data-bbox="172 609 916 642">Impedance 50Ω</p> <p data-bbox="172 654 1027 687">Frequency range DC to 5GHz</p> <p data-bbox="172 698 1134 732">VSWR ≤ 1.2 (DC to 5GHz)</p> <p data-bbox="172 743 1150 777">Insertion loss $\leq 0.04 \times \sqrt{f(\text{GHz})}$ dB</p> <p data-bbox="172 788 1007 822">Insulation resistance $\geq 5000\text{M}\Omega$</p> <p data-bbox="172 833 956 866">Contact resistance inner conductor $\leq 3\text{m}\Omega$</p> <p data-bbox="172 878 956 911">Contact resistance outer conductor $\leq 2\text{m}\Omega$</p> <p data-bbox="172 922 1002 956">Dielectric withstanding voltage (at sea level) 750 V rms</p> <p data-bbox="172 967 1002 1001">Working voltage (at sea level) 250 V rms</p>	
<div data-bbox="172 1095 568 1140" style="border: 1px solid black; padding: 2px;">Mechanical Data</div> <p data-bbox="172 1151 991 1184">Recommended coupling nut torque 4 inch lbs</p> <p data-bbox="172 1196 1018 1229">Coupling proof torque 5.3 inch lbs</p> <p data-bbox="172 1240 999 1274">Coupling nut retention force ≥ 60.7 lbs</p> <p data-bbox="172 1285 981 1319">Contact Captivation-axial ≥ 6.1 lbs</p> <p data-bbox="172 1330 943 1364">Durability (mating) ≥ 100</p>	
<div data-bbox="172 1404 568 1449" style="border: 1px solid black; padding: 2px;">Environmental Data</div> <p data-bbox="172 1460 1091 1494">Temperature range -65°C to +165°C</p> <p data-bbox="172 1505 1422 1538">Thermal shock MIL-STD-202, Method 107, Condition B</p> <p data-bbox="172 1550 1235 1583">Moisture resistance MIL-STD-202, Method 106</p> <p data-bbox="172 1594 1422 1628">Corrosion MIL-STD-202, Method 101, Condition B</p> <p data-bbox="172 1639 1002 1673">RoHS Compliant</p>	
<div data-bbox="172 1753 568 1798" style="border: 1px solid black; padding: 2px;">Tooling</div> <p data-bbox="172 1809 804 1843">Crimping tool CRT-1 or CRT-2</p> <p data-bbox="172 1854 719 1888">Crimp insert INSERT-A</p> <p data-bbox="172 1899 675 1933">Locator tool ST-001</p>	

Notice: JYEBAO reserves the right to make modifications deemed appropriate.

CABLE ASSEMBLY RECOMMENDATION

SMA3100A-0178		DATE	2015/09/25	REV	—
A	B	C	D	E	
					
BODY	CONTACT PIN	INSULATOR	FERRULE	FERRULE	
DIAGRAM			ASSEMBLY INSTRUCTION		
			Step 1: STRIP AS SHOWN.		
			Step 2: SLIDE FERRULE " E " OVER CABLE. Step 3: WRAP THE BRAIDING OVER " E ". Step 4: USE DIAGONAL PLIERS CUT AWAY ANY EXCESS BRAIDING OF THE FERRULE.		
			Step 5: STRIP AS SHOWN.		
			Step 6: SLIDE PREPARED CABLE INTO FERRULE " D " AND INSULATOR " C ". Step 7: PUT CONTACT PIN " B " ON CENTER CONDUCTOR AND SOLDER OR CRIMP IN " Y ". (USE SQUARE 0.98mm/0.039inch SECTION OF INSERT-A IF CRIMPED)		
			Step 8: USE LOCATOR TOOL " ST-001 " TO FIX THE INSULATOR. Step 9: PUT PREPARED CABLE INTO CONNECTOR BODY " A " AND CRIMP IN " X ". (USE 2.55mm/0.100inch HEX SECTION OF INSERT-A)		
<p>This part number complies with RoHS.</p> <p>Notice: JYEBAO reserves the right to make modifications deemed appropriate.</p>					
APPROVED		CHECKED		DRAWING	
				<i>Albert</i>	

SMA3100A-0178



Mkr	Trace	X-Axis	Value	Notes
1 ▾	S11	5.6742 GHz	-19.19 dB	
2 ▾	S11	11.4786 GHz	-7.92 dB	
3 ▾	S11	17.7333 GHz	-6.57 dB	

勝特力電材超市-龍山店 886-3-5773766
勝特力電材超市-光復店 886-3-5729570
勝特力電子(上海) 86-21-34970699
勝特力電子(深圳) 86-755-83298787
<http://www.100y.com.tw>