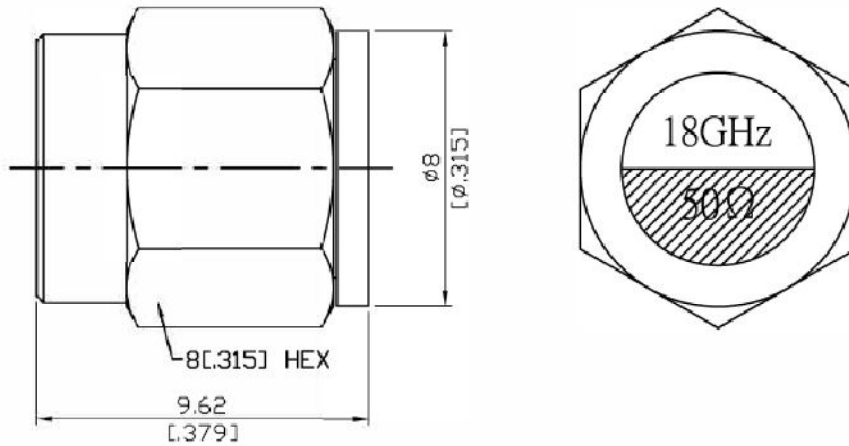


勝特力電材超市-龍山店 886-3-5773766  
 勝特力電材超市-光復店 886-3-5729570  
 勝特力電子(上海) 86-21-34970699  
 勝特力電子(深圳) 86-755-83298787  
<http://www.100y.com.tw>

**SMA3900-0018**

**2 Watt 50ohm SMA Plug Termination**  
 6GHz VSWR 1.1; 12.4GHz VSWR 1.15; 18GHz VSWR 1.2

**50Ω**



2W average power from -55°C to +70°C linearly derated to 1 Watt at 165°C

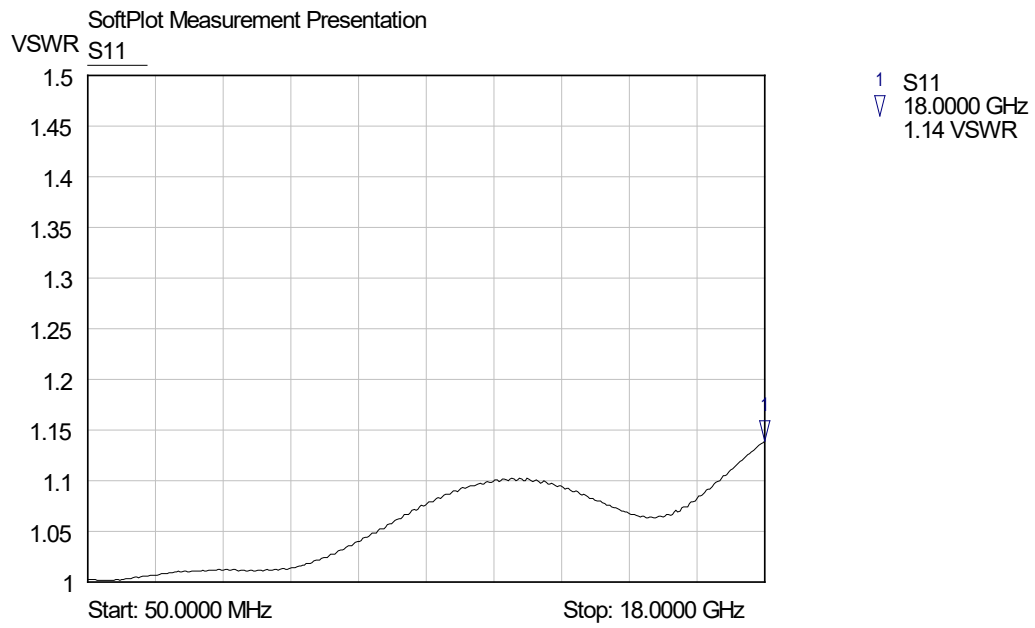
Parts	Material	Plating ( Micro-inch )
Body	Brass	Gold 4 Over Nickel-Phosphorus Alloy 80 Over Copper 20
Coupling Nut	Brass	Gold 4 Over Nickel-Phosphorus Alloy 80 Over Copper 20
Contact Pin	Brass	Gold 4 Over Nickel-Phosphorus Alloy 80 Over Copper 20
Insulator	Teflon	
Gasket	Silicone	
Retainer Ring	Beryllium Copper	Tin-Zinc-Copper-Alloy 100 Over Copper 50

Weight: 2.86g

SMA	SMA3900-0018
<div data-bbox="172 387 571 432" style="border: 1px solid black; padding: 2px;">Interface</div> <p data-bbox="172 443 384 477">MIL-STD-348B</p> <p data-bbox="172 488 587 521">Mechanically compatible with</p>	
	2.92 & 3.5
<div data-bbox="172 555 571 600" style="border: 1px solid black; padding: 2px;">Electrical Data</div> <p data-bbox="172 611 331 645">Impedance</p> <p data-bbox="172 656 416 689">Frequency range</p> <p data-bbox="172 701 268 734">VSWR</p> <p data-bbox="172 846 363 880">Insertion loss</p> <p data-bbox="172 902 464 936">Insulation resistance</p> <p data-bbox="172 947 671 981">Contact resistance inner conductor</p> <p data-bbox="172 992 671 1025">Contact resistance outer conductor</p> <p data-bbox="172 1037 799 1070">Dielectric withstanding voltage (at sea level)</p> <p data-bbox="172 1081 592 1115">Working voltage (at sea level)</p>	
	<p>50Ω</p> <p>DC to 18GHz</p> <p>≤ 1.1 (DC to 6GHz)</p> <p>≤ 1.15 (12.4GHz)</p> <p>≤ 1.2 (18GHz)</p> <p>≤ 0.04 x √f(GHz) dB</p> <p>≥ 5000MΩ</p> <p>≤ 3mΩ</p> <p>≤ 2mΩ</p> <p>1500 V rms</p> <p>500 V rms</p>
<div data-bbox="172 1189 571 1234" style="border: 1px solid black; padding: 2px;">Mechanical Data</div> <p data-bbox="172 1245 671 1279">Recommended coupling nut torque</p> <p data-bbox="172 1290 480 1323">Coupling proof torque</p> <p data-bbox="172 1335 568 1368">Coupling nut retention force</p> <p data-bbox="172 1379 528 1413">Contact Captivation-axial</p> <p data-bbox="172 1424 432 1458">Durability (mating)</p>	
	<p>4 inch lbs</p> <p>5.3 inch lbs</p> <p>≥ 60.7 lbs</p> <p>≥ 6.1 lbs</p> <p>≥ 100</p>
<div data-bbox="172 1496 571 1541" style="border: 1px solid black; padding: 2px;">Environmental Data</div> <p data-bbox="172 1552 448 1585">Temperature range</p> <p data-bbox="172 1597 384 1630">Thermal shock</p> <p data-bbox="172 1641 448 1675">Moisture resistance</p> <p data-bbox="172 1686 312 1720">Corrosion</p> <p data-bbox="172 1731 256 1765">RoHS</p>	
	<p>-55°C to +165°C</p> <p>MIL-STD-202, Method 107, Condition B</p> <p>MIL-STD-202, Method 106</p> <p>MIL-STD-202, Method 101, Condition B</p> <p>Compliant</p>
<div data-bbox="172 1850 571 1895" style="border: 1px solid black; padding: 2px;">Tooling</div>	

Notice: JYEBAO reserves the right to make modifications deemed appropriate.

# SMA3900-0018



勝特力電材超市-龍山店 886-3-5773766  
勝特力電材超市-光復店 886-3-5729570  
勝特力電子(上海) 86-21-34970699  
勝特力電子(深圳) 86-755-83298787  
<http://www.100y.com.tw>