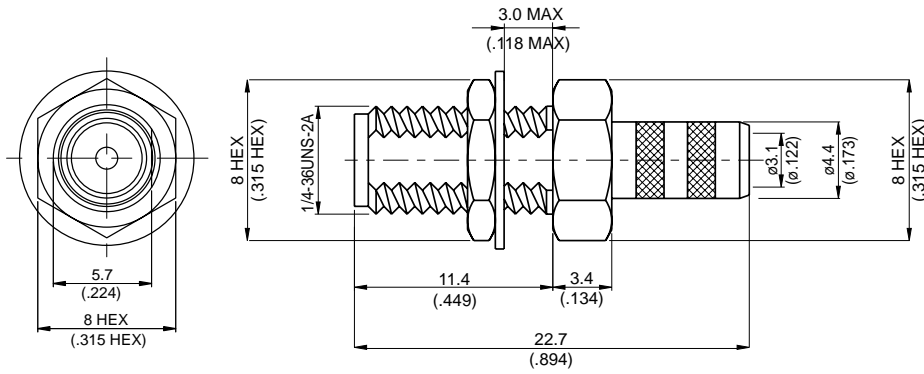


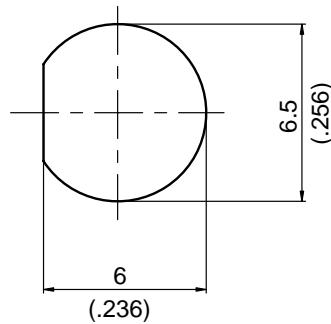
勝特力電材超市-龍山店 886-3-5773766
 勝特力電材超市-光復店 886-3-5729570
 勝特力電子(上海) 86-21-34970699
 勝特力電子(深圳) 86-755-83298787
<http://www.100y.com.tw>

SMA8100L-0058

SMA Jack Crimp Bulkhead
For RG58, JBY195, LMR195; 6GHz VSWR 1.15* 50Ω



MOUNTING HOLE :



*Using JBY195

| Parts | Material | Plating (Micro-inch) |
|-------------|------------------|---|
| Ferrule | Copper | Gold 4 Over Nickel-Phosphorus Alloy 80 Over Copper 20 |
| Hex Nut | Brass | Gold 4 Over Nickel-Phosphorus Alloy 80 Over Copper 20 |
| Lock Washer | Brass | Gold 4 Over Nickel-Phosphorus Alloy 80 Over Copper 20 |
| Contact Pin | Beryllium Copper | Gold 4 Over Nickel-Phosphorus Alloy 80 Over Copper 20 |
| Insulator | Teflon | |
| Body | Brass | Gold 4 Over Nickel-Phosphorus Alloy 80 Over Copper 20 |

Weight: 4.16 g

Suitable Cables: RG58, JBY195, LMR195

This part number complies with RoHS.

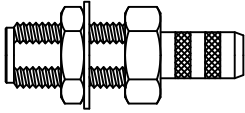


Notice: JYBAO reserves the right to make modifications deemed appropriate.

| SMA | SMA8100L-0058 | |
|---|---------------|---|
| <div data-bbox="172 387 571 432" style="border: 1px solid black; padding: 2px;">Interface</div> <p data-bbox="172 443 387 477">MIL-STD-348B</p> <p data-bbox="172 488 587 521">Mechanically compatible with</p> | | 2.92 & 3.5 |
| <div data-bbox="172 555 571 600" style="border: 1px solid black; padding: 2px;">Electrical Data</div> <p data-bbox="172 611 331 645">Impedance</p> <p data-bbox="172 656 419 689">Frequency range</p> <p data-bbox="172 701 268 734">VSWR</p> <p data-bbox="172 745 363 779">Insertion loss</p> <p data-bbox="172 790 467 824">Insulation resistance</p> <p data-bbox="172 835 675 869">Contact resistance inner conductor</p> <p data-bbox="172 880 675 913">Contact resistance outer conductor</p> <p data-bbox="172 925 802 958">Dielectric withstanding voltage (at sea level)</p> <p data-bbox="172 969 595 1003">Working voltage (at sea level)</p> | | <p>50Ω</p> <p>DC to 6GHz</p> <p>≤ 1.15 (DC to 6GHz)</p> <p>≤ 0.04 x √f(GHz) dB</p> <p>≥ 5000MΩ</p> <p>≤ 3mΩ</p> <p>≤ 2mΩ</p> <p>1000 V rms</p> <p>335 V rms</p> |
| <div data-bbox="172 1093 571 1137" style="border: 1px solid black; padding: 2px;">Mechanical Data</div> <p data-bbox="172 1149 675 1182">Recommended coupling nut torque</p> <p data-bbox="172 1193 483 1227">Coupling proof torque</p> <p data-bbox="172 1238 531 1272">Contact Captivation-axial</p> <p data-bbox="172 1283 435 1317">Durability (mating)</p> | | <p>4 inch lbs</p> <p>5.3 inch lbs</p> <p>≥ 6.1 lbs</p> <p>≥ 100</p> |
| <div data-bbox="172 1406 571 1451" style="border: 1px solid black; padding: 2px;">Environmental Data</div> <p data-bbox="172 1462 451 1496">Temperature range</p> <p data-bbox="172 1507 387 1541">Thermal shock</p> <p data-bbox="172 1552 451 1585">Moisture resistance</p> <p data-bbox="172 1597 316 1630">Corrosion</p> <p data-bbox="172 1641 260 1675">RoHS</p> | | <p>-65°C to +165°C</p> <p>MIL-STD-202, Method 107, Condition B</p> <p>MIL-STD-202, Method 106</p> <p>MIL-STD-202, Method 101, Condition B</p> <p>Compliant</p> |
| <div data-bbox="172 1753 571 1798" style="border: 1px solid black; padding: 2px;">Tooling</div> <p data-bbox="172 1809 363 1843">Crimping tool</p> <p data-bbox="172 1854 347 1888">Crimp insert</p> <p data-bbox="172 1899 411 1933">Soldering gauge</p> | | <p>CRT-1 or CRT-2</p> <p>INSERT-B</p> <p>ST-0.3</p> |

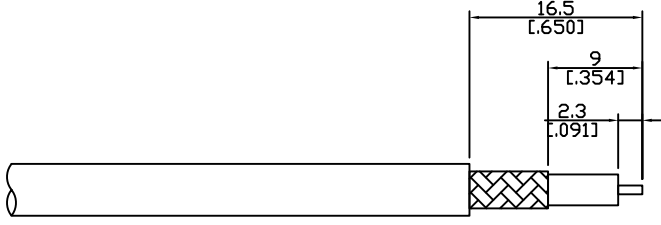
Notice: JYEBAO reserves the right to make modifications deemed appropriate.

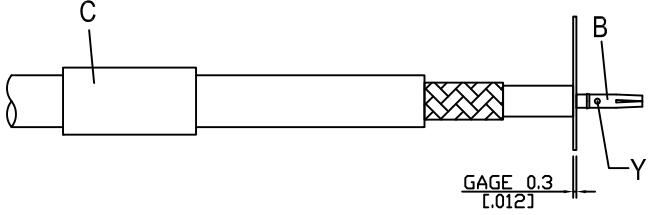
CABLE ASSEMBLY INSTRUCTION

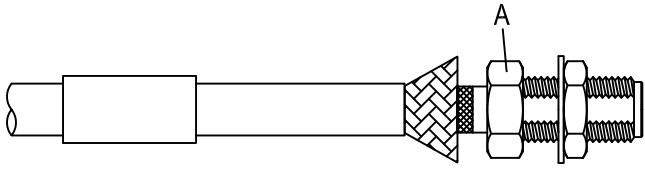
| | | | | |
|---------------|------|------------|-----|---|
| SMA8100L-0058 | DATE | 2017/11/01 | REV | — |
|---------------|------|------------|-----|---|

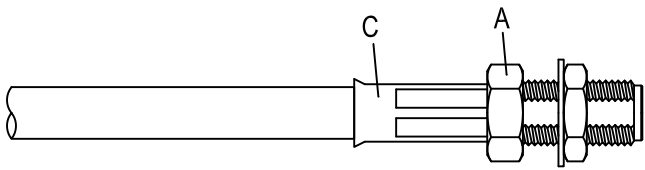
| | | |
|--|---|---|
| <p>A</p>  <p>BODY + HEX NUT + LOCK WASHER</p> | <p>B</p>  <p>CONTACT PIN</p> | <p>C</p>  <p>FERRULE</p> |
|--|---|---|

| DIAGRAM | ASSEMBLY INSTRUCTION |
|---------|----------------------|
|---------|----------------------|

| | |
|--|--------------------------------|
|  | <p>Step 1: STRIP AS SHOWN.</p> |
|--|--------------------------------|

| | |
|---|---|
|  | <p>Step 2: SLIDE FERRULE " C " OVER CABLE. Step 3: PUT 0.3 MM GAGE IN PLACE, INSERT CABLE'S CENTER CONDUCTOR INTO CENTER PIN " B " AND SOLDER OR CRIMP IN " Y ". (USE SQUARE 0.98mm/0.039inch SECTION OF INSERT-B IF CRIMPED)</p> |
|---|---|

| | |
|---|--|
|  | <p>Step 4: LOOSEN BRAIDING AND SLIDE CONNECTOR " A " IN PLACE.</p> |
|---|--|

| | |
|---|--|
|  | <p>Step 5: SLIDE FERRULE " C " TOWARDS THE CONNECTOR " A " AND CRIMP. (USE 5.5mm/0.217inch HEX SECTION OF INSERT-B)</p> |
|---|--|

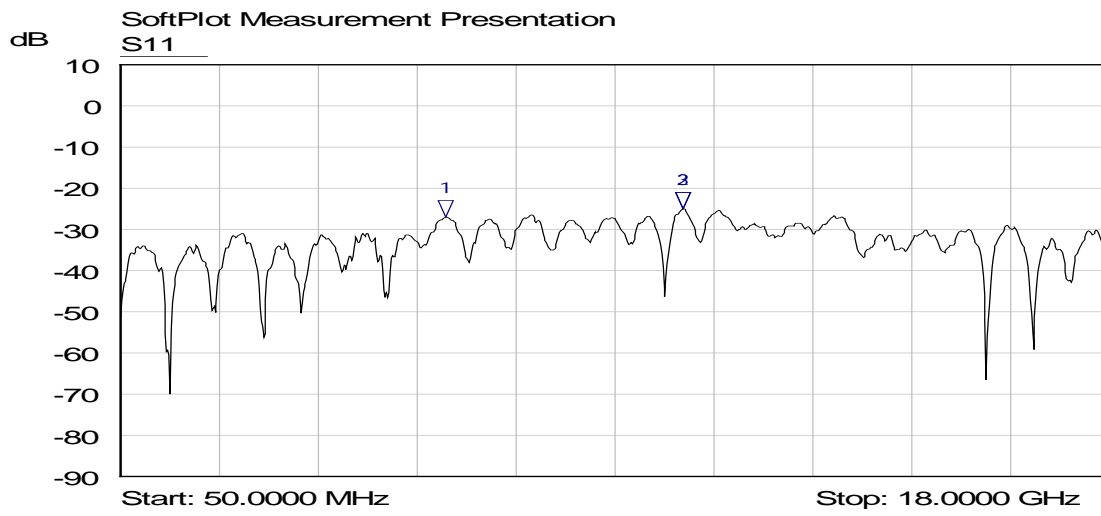
This part number complies with RoHS.

Notice: JYEBAO reserves the right to make modifications deemed appropriate.

| | | |
|----------|---------|---------|
| APPROVED | CHECKED | DRAWING |
|----------|---------|---------|

Albert

SMA8100L-0058 (using JBY195 cable)



| Mkr | Trace | X-Axis | Value | Notes |
|-----|-------|-------------|-----------|-------|
| 1 ▽ | S11 | 5.9402 GHz | -27.01 dB | |
| 2 ▽ | S11 | 10.2529 GHz | -24.92 dB | |
| 3 ▽ | S11 | 10.2529 GHz | -24.92 dB | |

勝特力電材超市-龍山店 886-3-5773766
勝特力電材超市-光復店 886-3-5729570
勝特力電子(上海) 86-21-34970699
勝特力電子(深圳) 86-755-83298787
<http://www.100y.com.tw>