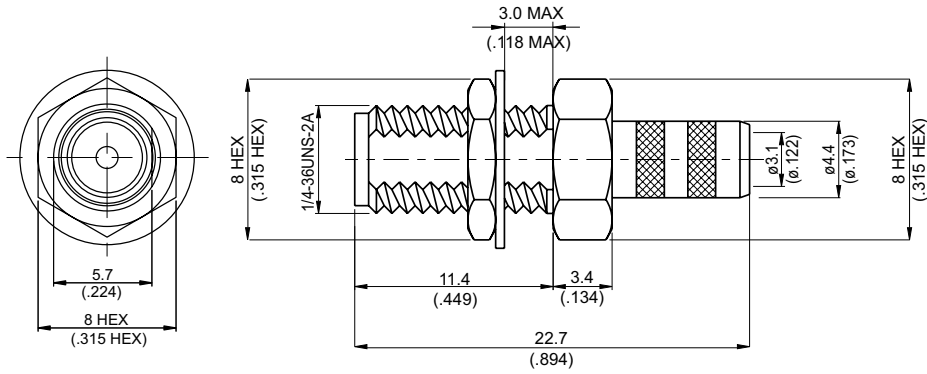


勝特力電材超市-龍山店 886-3-5773766
 勝特力電材超市-光復店 886-3-5729570
 勝特力電子(上海) 86-21-34970699
 勝特力電子(深圳) 86-755-83298787
<http://www.100y.com.tw>

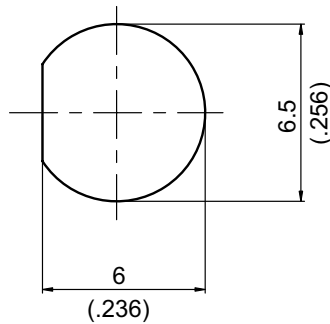
SMA8100L-0142

SMA Jack Crimp Bulkhead
For RG142, RG400; 11GHz VSWR 1.25

50Ω



MOUNTING HOLE :



Parts	Material	Plating (Micro-inch)
Ferrule	Brass	Gold 4 Over Nickel-Phosphorus Alloy 80 Over Copper 20
Hex Nut	Brass	Gold 4 Over Nickel-Phosphorus Alloy 80 Over Copper 20
Lock Washer	Brass	Gold 4 Over Nickel-Phosphorus Alloy 80 Over Copper 20
Contact Pin	Beryllium Copper	Gold 4 Over Nickel-Phosphorus Alloy 80 Over Copper 20
Insulator	Teflon	
Body	Brass	Gold 4 Over Nickel-Phosphorus Alloy 80 Over Copper 20

Weight: 5.23 g

Suitable Cables: RG142, RG400

This part number complies with RoHS.

Notice: JYBAO reserves the right to make modifications deemed appropriate.

SMA	SMA8100L-0142
<div data-bbox="172 387 571 432" style="border: 1px solid black; padding: 2px;">Interface</div> <p data-bbox="172 443 384 477">MIL-STD-348B</p> <p data-bbox="172 495 1007 528">Mechanically compatible with 2.92 & 3.5</p>	
<div data-bbox="172 555 571 600" style="border: 1px solid black; padding: 2px;">Electrical Data</div> <p data-bbox="172 611 916 645">Impedance 50Ω</p> <p data-bbox="172 656 1046 689">Frequency range DC to 11GHz</p> <p data-bbox="172 701 1171 734">VSWR ≤ 1.25 (DC to 11GHz)</p> <p data-bbox="172 745 1155 779">Insertion loss $\leq 0.04 \times \sqrt{f(\text{GHz})}$ dB</p> <p data-bbox="172 790 1011 824">Insulation resistance $\geq 5000\text{M}\Omega$</p> <p data-bbox="172 835 956 869">Contact resistance inner conductor $\leq 3\text{m}\Omega$</p> <p data-bbox="172 880 956 913">Contact resistance outer conductor $\leq 2\text{m}\Omega$</p> <p data-bbox="172 925 1019 958">Dielectric withstanding voltage (at sea level) 1000 V rms</p> <p data-bbox="172 969 1003 1003">Working voltage (at sea level) 335 V rms</p>	
<div data-bbox="172 1093 571 1137" style="border: 1px solid black; padding: 2px;">Mechanical Data</div> <p data-bbox="172 1149 991 1182">Recommended coupling nut torque 4 inch lbs</p> <p data-bbox="172 1193 1019 1227">Coupling proof torque 5.3 inch lbs</p> <p data-bbox="172 1238 983 1272">Contact Captivation-axial ≥ 6.1 lbs</p> <p data-bbox="172 1283 943 1317">Durability (mating) ≥ 100</p>	
<div data-bbox="172 1406 571 1451" style="border: 1px solid black; padding: 2px;">Environmental Data</div> <p data-bbox="172 1462 1091 1496">Temperature range -65°C to +165°C</p> <p data-bbox="172 1507 1422 1541">Thermal shock MIL-STD-202, Method 107, Condition B</p> <p data-bbox="172 1552 1235 1585">Moisture resistance MIL-STD-202, Method 106</p> <p data-bbox="172 1597 1422 1630">Corrosion MIL-STD-202, Method 101, Condition B</p> <p data-bbox="172 1641 1003 1675">RoHS Compliant</p>	
<div data-bbox="172 1753 571 1798" style="border: 1px solid black; padding: 2px;">Tooling</div> <p data-bbox="172 1809 1086 1843">Crimping tool CRT-1 or CRT-2</p> <p data-bbox="172 1854 1003 1888">Crimp insert INSERT-B</p> <p data-bbox="172 1899 951 1933">Soldering gauge ST-0.3</p>	

Notice: JYEBAO reserves the right to make modifications deemed appropriate.

CABLE ASSEMBLY INSTRUCTION

SMA8100L-0142	DATE	2017/11/01	REV	—
---------------	------	------------	-----	---

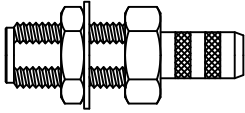

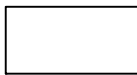
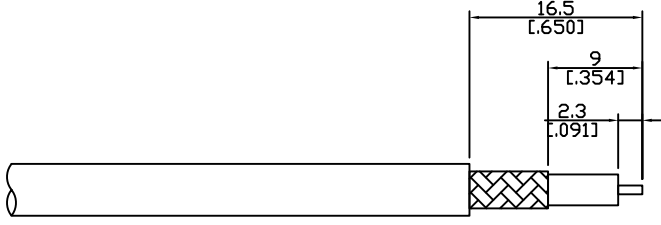
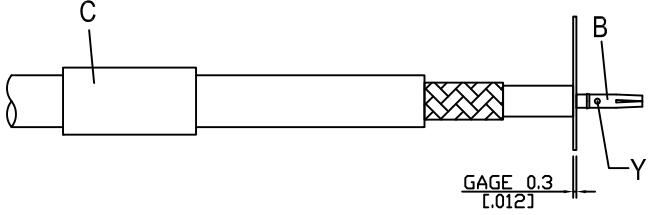
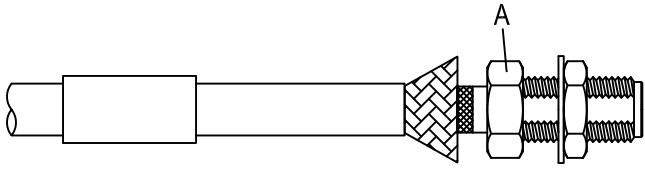
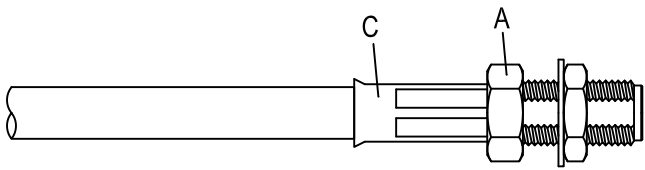
<p>A</p>  <p>BODY + HEX NUT + LOCK WASHER</p>	<p>B</p>  <p>CONTACT PIN</p>	<p>C</p>  <p>FERRULE</p>
--	---	---

DIAGRAM	ASSEMBLY INSTRUCTION
---------	----------------------

	<p>Step 1: STRIP AS SHOWN.</p>
--	--------------------------------

	<p>Step 2: SLIDE FERRULE " C " OVER CABLE. Step 3: PUT 0.3 MM GAGE IN PLACE, INSERT CABLE'S CENTER CONDUCTOR INTO CENTER PIN " B " AND SOLDER OR CRIMP IN " Y ". (USE SQUARE 0.98mm/0.039inch SECTION OF INSERT-B IF CRIMPED)</p>
---	---

	<p>Step 4: LOOSEN BRAIDING AND SLIDE CONNECTOR " A " IN PLACE.</p>
---	--

	<p>Step 5: SLIDE FERRULE " C " TOWARDS THE CONNECTOR " A " AND CRIMP. (USE 5.5mm/0.217inch HEX SECTION OF INSERT-B)</p>
---	--

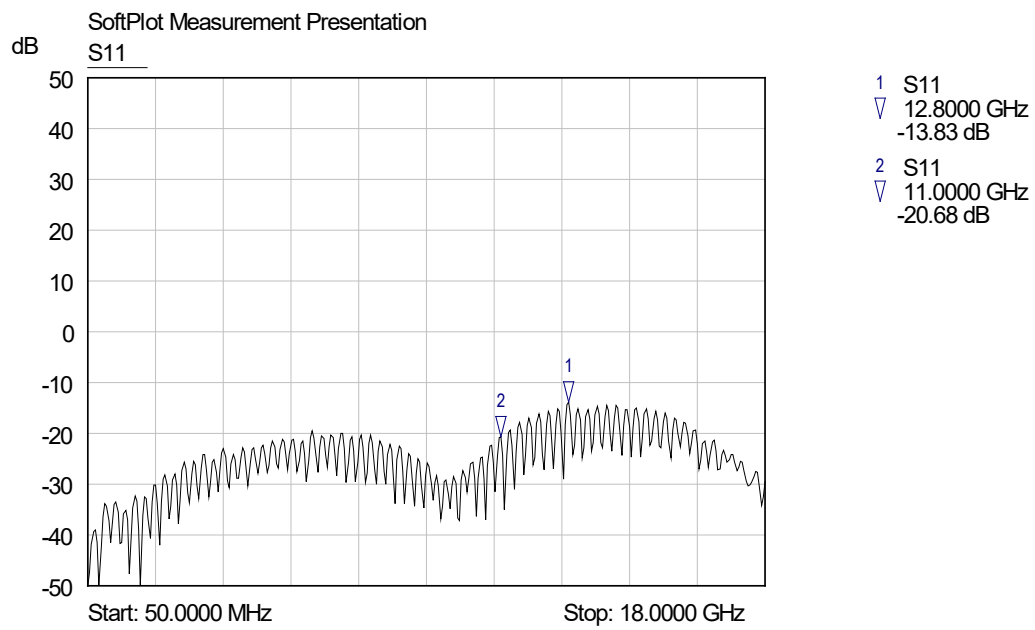
This part number complies with RoHS.
 Notice: JYEBAO reserves the right to make modifications deemed appropriate.

APPROVED	CHECKED	DRAWING
----------	---------	---------

Albert

SMA8100L-0142

S11



勝特力電材超市-龍山店 886-3-5773766
勝特力電材超市-光復店 886-3-5729570
勝特力電子(上海) 86-21-34970699
勝特力電子(深圳) 86-755-83298787
<http://www.100y.com.tw>