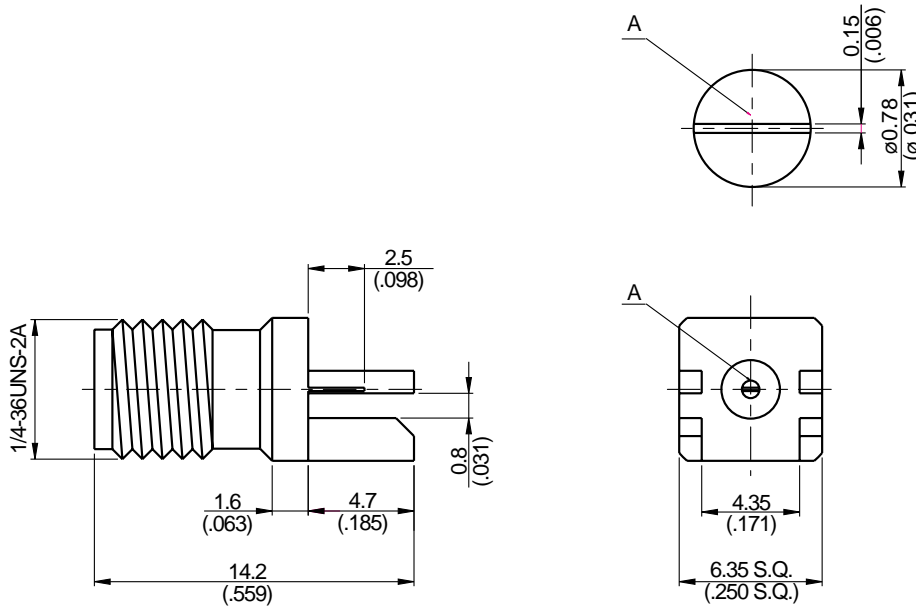


勝特力電材超市-龍山店 886-3-5773766  
 勝特力電材超市-光復店 886-3-5729570  
 勝特力電子(上海) 86-21-34970699  
 勝特力電子(深圳) 86-755-83298787  
<http://www.100y.com.tw>

SMA8400MP1-0000

**SMA Jack PCB Mount End Launch (T=0.8) 50Ω**  
**With Tab Contact (W=0.78;T=0.15;L=2.5); 27GHz VSWR 1.25**



Parts	Material	Plating (Micro-inch)
Contact Pin	Beryllium Copper	Gold 4 Over Nickel-Phosphorus Alloy 80 Over Copper 20
Insulator	Teflon	
Body	Brass	Gold 4 Over Nickel-Phosphorus Alloy 80 Over Copper 20

Weight: 1.57 g

This part number complies with RoHS.

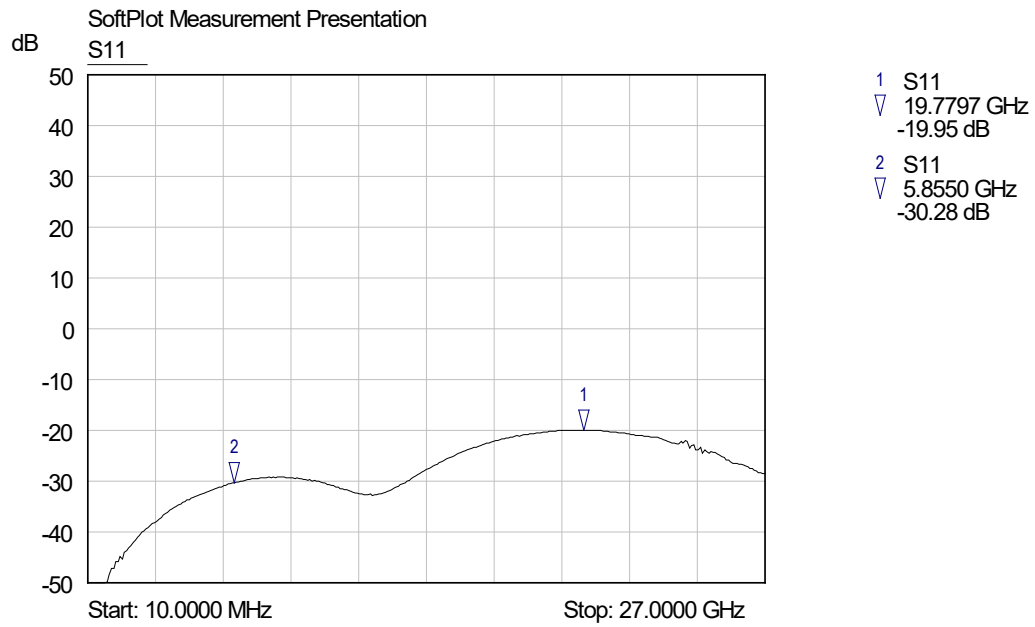
Notice: JYBAO reserves the right to make modifications deemed appropriate.

SMA	SMA8400MP1-0000
<div data-bbox="167 383 568 432" style="border: 1px solid black; padding: 2px;">Interface</div> <p data-bbox="167 443 384 472">MIL-STD-348B</p> <p data-bbox="167 488 1007 517">Mechanically compatible with 2.92 &amp; 3.5</p>	
<div data-bbox="167 551 568 600" style="border: 1px solid black; padding: 2px;">Electrical Data</div> <p data-bbox="167 607 916 636">Impedance 50Ω</p> <p data-bbox="167 651 1046 680">Frequency range DC to 27GHz</p> <p data-bbox="167 696 1171 725">VSWR <math>\leq 1.25</math> (DC to 27GHz)</p> <p data-bbox="167 741 1142 770">Insertion loss <math>\leq 0.04 \times \sqrt{f(\text{GHz})}</math> dB</p> <p data-bbox="167 786 1011 815">Insulation resistance <math>\geq 5000\text{M}\Omega</math></p> <p data-bbox="167 831 956 860">Contact resistance inner conductor <math>\leq 3\text{m}\Omega</math></p> <p data-bbox="167 875 956 904">Contact resistance outer conductor <math>\leq 2\text{m}\Omega</math></p> <p data-bbox="167 920 1019 949">Dielectric withstanding voltage (at sea level) 1500 V rms</p> <p data-bbox="167 965 1019 994">Working voltage (at sea level) 500 V rms</p>	
<div data-bbox="167 1093 568 1142" style="border: 1px solid black; padding: 2px;">Mechanical Data</div> <p data-bbox="167 1149 991 1178">Recommended coupling nut torque 4 inch lbs</p> <p data-bbox="167 1193 1019 1223">Coupling proof torque 5.3 inch lbs</p> <p data-bbox="167 1238 983 1267">Contact Captivation-axial <math>\geq 6.1</math> lbs</p> <p data-bbox="167 1283 943 1312">Durability (mating) <math>\geq 100</math></p>	
<div data-bbox="167 1402 568 1451" style="border: 1px solid black; padding: 2px;">Environmental Data</div> <p data-bbox="167 1458 1091 1487">Temperature range -65°C to +165°C</p> <p data-bbox="167 1503 1422 1532">Thermal shock MIL-STD-202, Method 107, Condition B</p> <p data-bbox="167 1547 1235 1576">Moisture resistance MIL-STD-202, Method 106</p> <p data-bbox="167 1592 1422 1621">Corrosion MIL-STD-202, Method 101, Condition B</p> <p data-bbox="167 1637 1002 1666">RoHS Compliant</p>	
<div data-bbox="167 1753 568 1803" style="border: 1px solid black; padding: 2px;">Tooling</div>	

Notice: JYEBAO reserves the right to make modifications deemed appropriate.

# SMA8400MP1-0000

S11



勝特力電材超市-龍山店 886-3-5773766  
勝特力電材超市-光復店 886-3-5729570  
勝特力電子(上海) 86-21-34970699  
勝特力電子(深圳) 86-755-83298787  
<http://www.100y.com.tw>