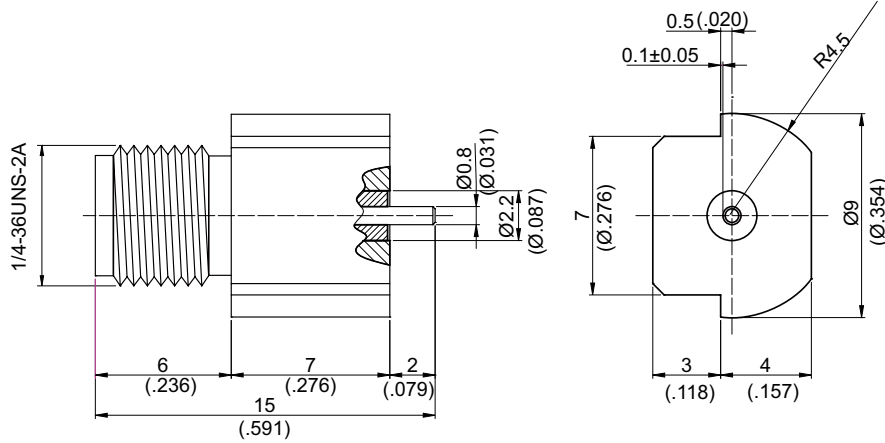


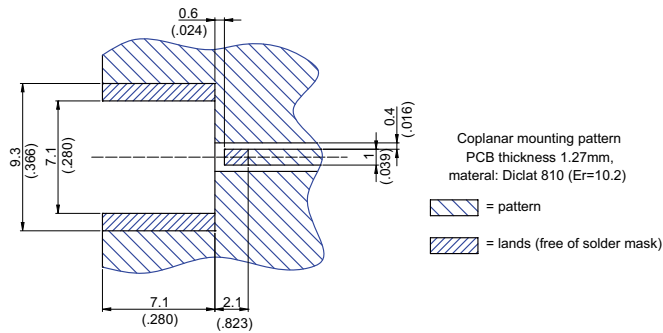
勝特力電材超市-龍山店 886-3-5773766
 勝特力電材超市-光復店 886-3-5729570
 勝特力電子(上海) 86-21-34970699
 勝特力電子(深圳) 86-755-83298787
<http://www.100y.com.tw>

SMA8400P-0000

SMA Jack PCB Edge Mount
With Round Contact (Φ0.8); 15.5GHz VSWR 1.2 **50Ω**



MOUNTING HOLE:



Parts	Material	Plating (Micro-inch)
Contact Pin	Beryllium Copper	Gold 4 Over Nickel-Phosphorus Alloy 80 Over Copper 20
Insulator	Teflon	
Body	Brass	Gold 4 Over Nickel-Phosphorus Alloy 80 Over Copper 20

Weight: 3.39 g

SMA8400P-0000

Interface

MIL-STD-348B

Mechanically compatible with 2.92 & 3.5

Electrical Data

Impedance	50Ω
Frequency range	DC to 15.5GHz
VSWR	≤ 1.2 (DC to 15.5GHz)
Insertion loss	≤ 0.04 x √f(GHz) dB
Insulation resistance	≥ 5000MΩ
Contact resistance inner conductor	≤ 3mΩ
Contact resistance outer conductor	≤ 2mΩ
Dielectric withstanding voltage (at sea level)	1500 V rms
Working voltage (at sea level)	500 V rms

Mechanical Data

Recommended coupling nut torque	4 inch lbs
Coupling proof torque	5.3 inch lbs
Contact Captivation-axial	≥ 6.1 lbs
Durability (mating)	≥ 100

Environmental Data

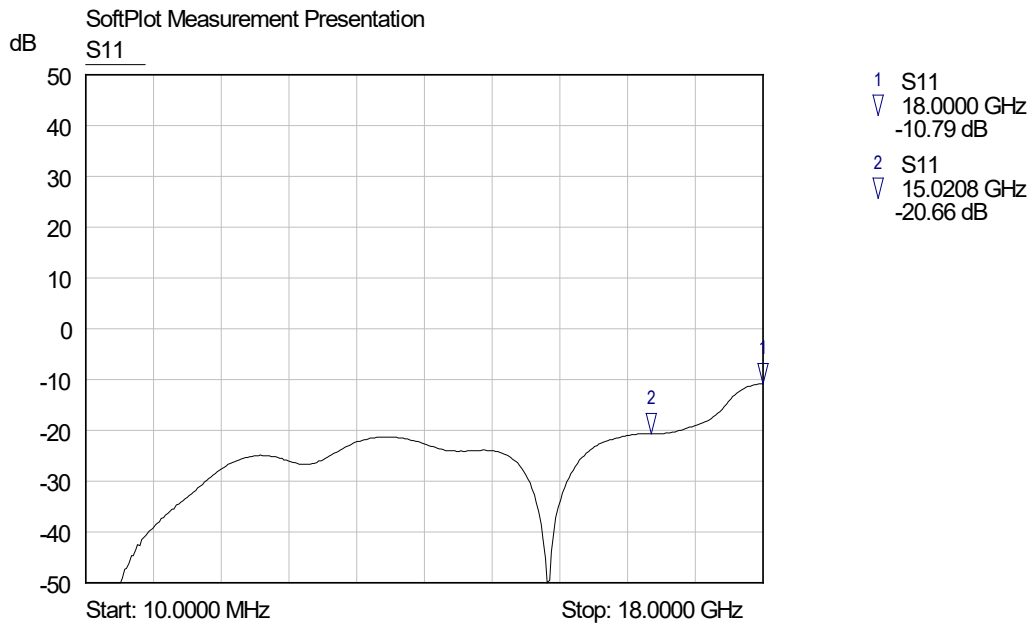
Temperature range	-65°C to +165°C
Thermal shock	MIL-STD-202, Method 107, Condition B
Moisture resistance	MIL-STD-202, Method 106
Corrosion	MIL-STD-202, Method 101, Condition B
RoHS	Compliant

Tooling

Notice: JYEBAO reserves the right to make modifications deemed appropriate.

SMA8400P-0000

S11



勝特力電材超市-龍山店 886-3-5773766
勝特力電材超市-光復店 886-3-5729570
勝特力電子(上海) 86-21-34970699
勝特力電子(深圳) 86-755-83298787
<http://www.100y.com.tw>