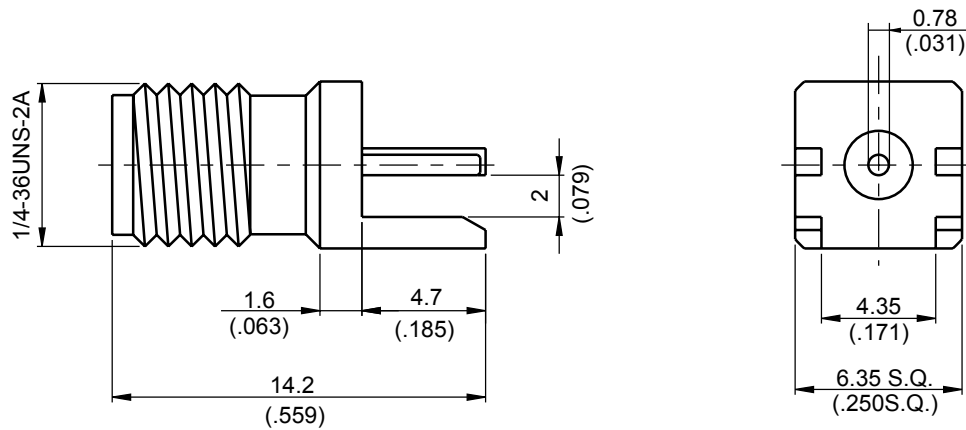


SMA8401D-0000

**SMA Jack PCB Mount End Launch (T=2.00)**  
**With Round Contact ( $\Phi 0.78$ ); 18GHz VSWR 1.25 50 $\Omega$** 


| Parts       | Material         | Plating (Micro-inch)                                  |
|-------------|------------------|---|
| Contact Pin | Beryllium Copper | Gold 4 Over Nickel-Phosphorus Alloy 80 Over Copper 20 |
| Insulator   | Teflon           |   |
| Body        | Brass            | Gold 4 Over Nickel-Phosphorus Alloy 80 Over Copper 20 |

Weight: 1.49 g

SMA

SMA8401D-0000

## Interface

MIL-STD-348B

Mechanically compatible with

2.92 &amp; 3.5

## Electrical Data

Impedance

50Ω

Frequency range

DC to 18GHz

VSWR

 $\leq 1.25$  (DC to 18GHz)

Insertion loss

 $\leq 0.04 \times \sqrt{f(\text{GHz})}$  dB

Insulation resistance

 $\geq 5000\text{M}\Omega$ 

Contact resistance inner conductor

 $\leq 3\text{m}\Omega$ 

Contact resistance outer conductor

 $\leq 2\text{m}\Omega$ 

Dielectric withstanding voltage (at sea level)

1500 V rms

Working voltage (at sea level)

500 V rms

## Mechanical Data

Recommended coupling nut torque

4 inch lbs

Coupling proof torque

5.3 inch lbs

Contact Captivation-axial

 $\geq 6.1$  lbs

Durability (mating)

 $\geq 100$ 

## Environmental Data

Temperature range

-65°C to +165°C

Thermal shock

MIL-STD-202, Method 107, Condition B

Moisture resistance

MIL-STD-202, Method 106

Corrosion

MIL-STD-202, Method 101, Condition B

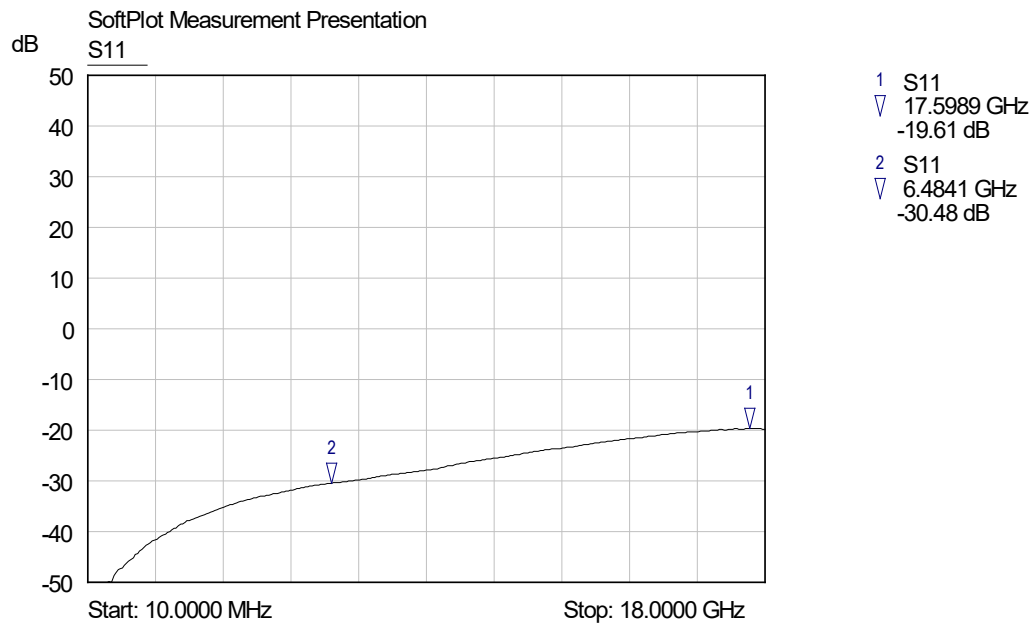
RoHS

Compliant

## Tooling

# SMA8401D-0000

S11



勝特力電材超市-龍山店 886-3-5773766  
勝特力電材超市-光復店 886-3-5729570  
勝特力電子(上海) 86-21-34970699  
勝特力電子(深圳) 86-755-83298787  
<http://www.100y.com.tw>