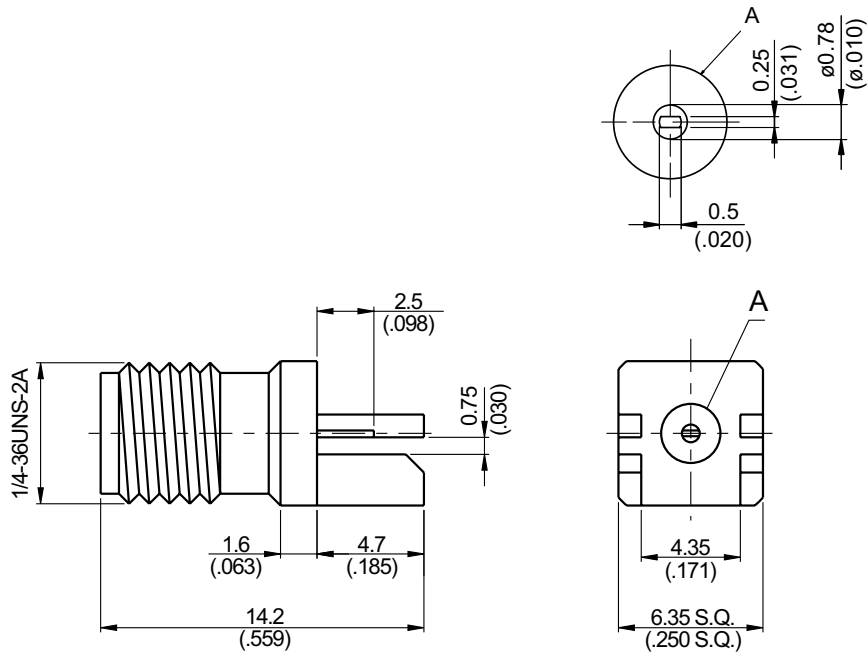


勝特力電材超市-龍山店 886-3-5773766
 勝特力電材超市-光復店 886-3-5729570
 勝特力电子(上海) 86-21-34970699
 勝特力电子(深圳) 86-755-83298787
<http://www.100y.com.tw>

SMA84ND-0000

SMA Jack P.C.B Mount (End Launch) 50Ω



Parts	Material	Plating (Micro-inch)
Contact Pin	Beryllium Copper	Gold 20 Over Nickel 50 Over Copper 50
Insulator	Teflon	
Body	Brass	Gold 5 Over Nickel 50 Over Copper 50

Weight: 1.58 g

This part number complies with RoHS.

Notice: JYBAO reserves the right to make modifications deemed appropriate.