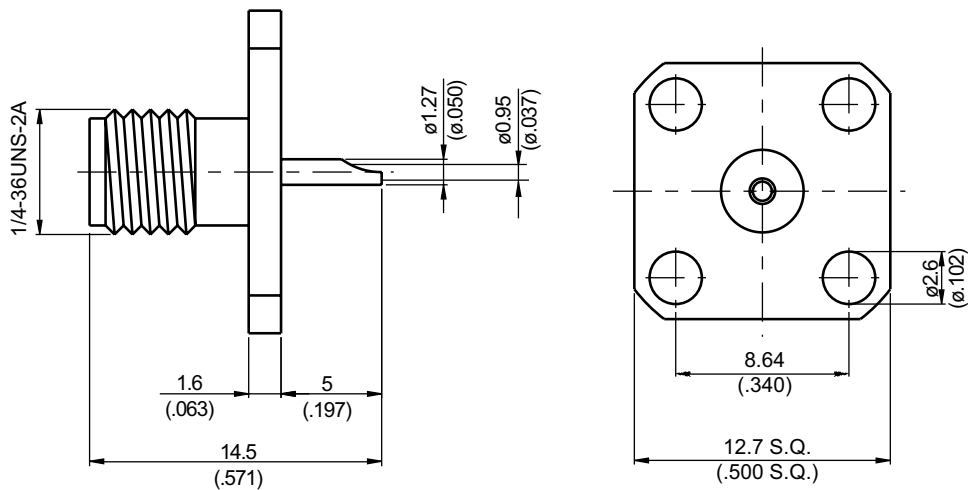


SMA864A-0000

SMA Jack SQ 12.7mm 4 Hole Flange With
Solder Cup Contact; 18GHz VSWR 1.2

50Ω



Parts	Material	Plating (Micro-inch)
Contact Pin	Beryllium Copper	Gold 4 Over Nickel-Phosphorus Alloy 80 Over Copper 20
Insulator	Teflon	
Body	Brass	Gold 4 Over Nickel-Phosphorus Alloy 80 Over Copper 20

Weight: 2.58 g

SMA

SMA864A-0000

Interface

MIL-STD-348B

Mechanically compatible with

2.92 & 3.5

Electrical Data

Impedance

50Ω

Frequency range

DC to 18GHz

VSWR

 ≤ 1.2 (DC to 18GHz)

Insertion loss

 $\leq 0.04 \times \sqrt{f(\text{GHz})}$ dB

Insulation resistance

 $\geq 5000\text{M}\Omega$

Contact resistance inner conductor

 $\leq 3\text{m}\Omega$

Contact resistance outer conductor

 $\leq 2\text{m}\Omega$

Dielectric withstanding voltage (at sea level)

1500 V rms

Working voltage (at sea level)

500 V rms

Mechanical Data

Recommended coupling nut torque

4 inch lbs

Coupling proof torque

5.3 inch lbs

Contact Captivation-axial

 ≥ 6.1 lbs

Durability (mating)

 ≥ 100

Environmental Data

Temperature range

-65°C to +165°C

Thermal shock

MIL-STD-202, Method 107, Condition B

Moisture resistance

MIL-STD-202, Method 106

Corrosion

MIL-STD-202, Method 101, Condition B

RoHS

Compliant

Tooling

勝特力電材超市-龍山店 886-3-5773766

勝特力電材超市-光復店 886-3-5729570

勝特力電子(上海) 86-21-34970699

勝特力電子(深圳) 86-755-83298787

<http://www.100y.com.tw>