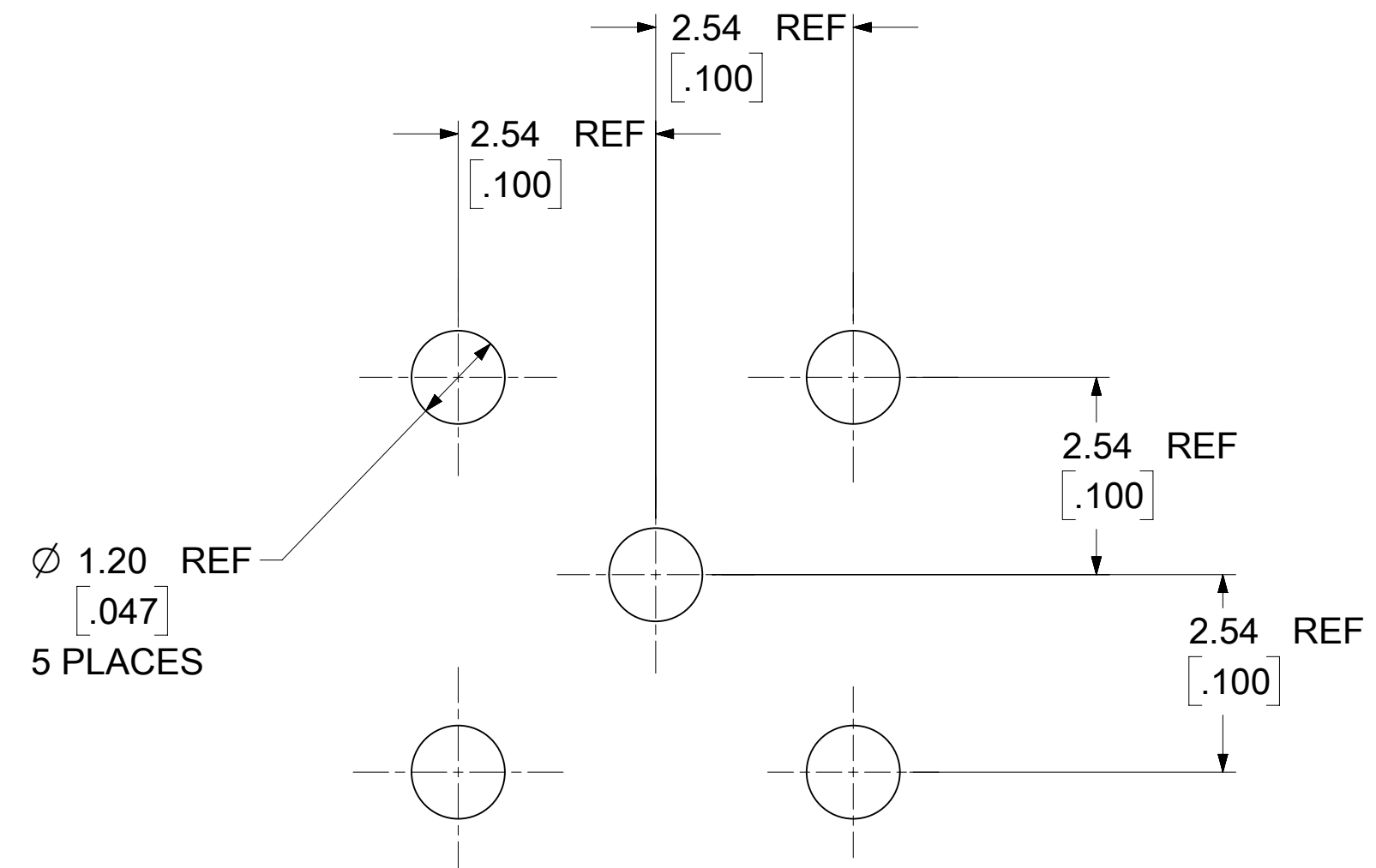
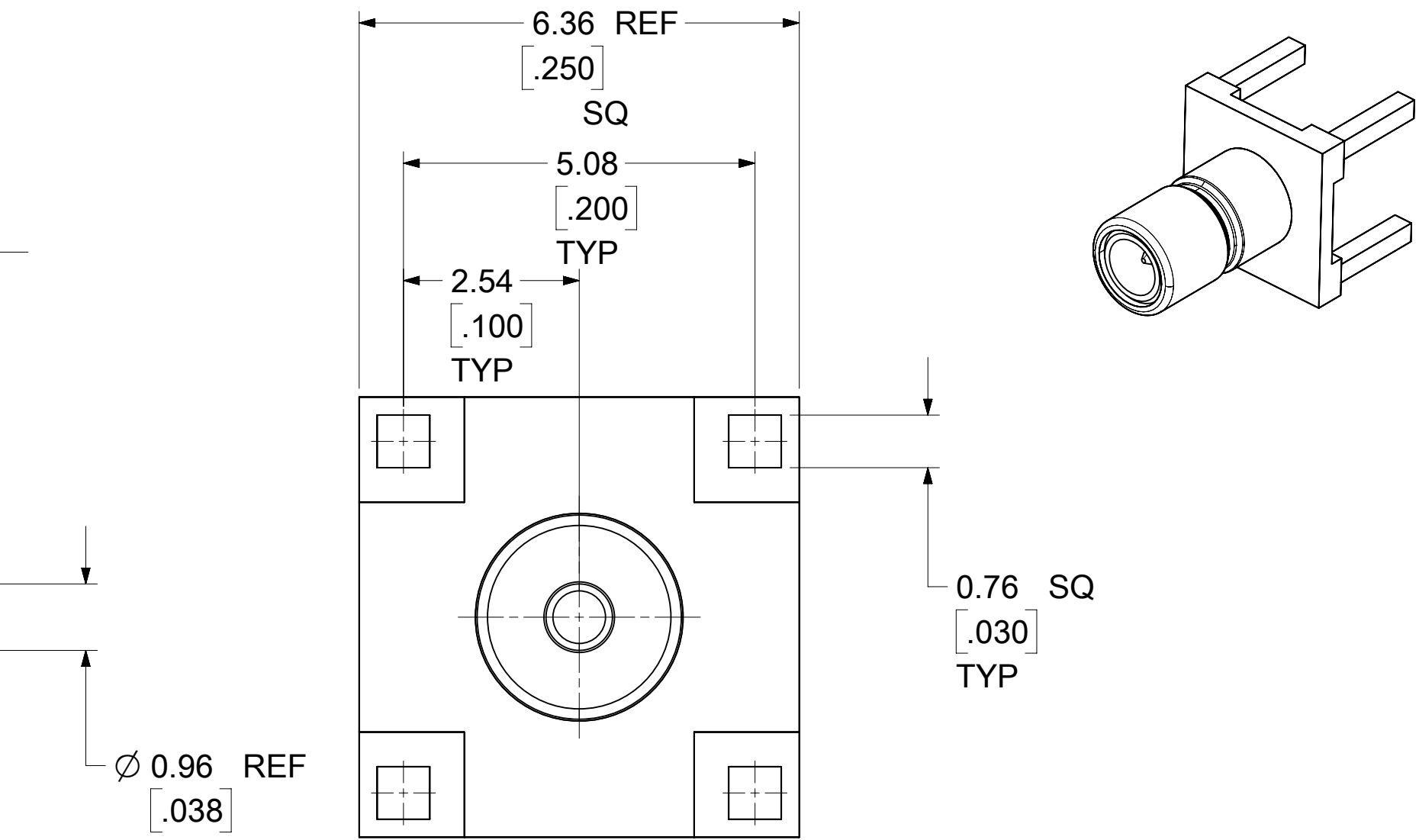
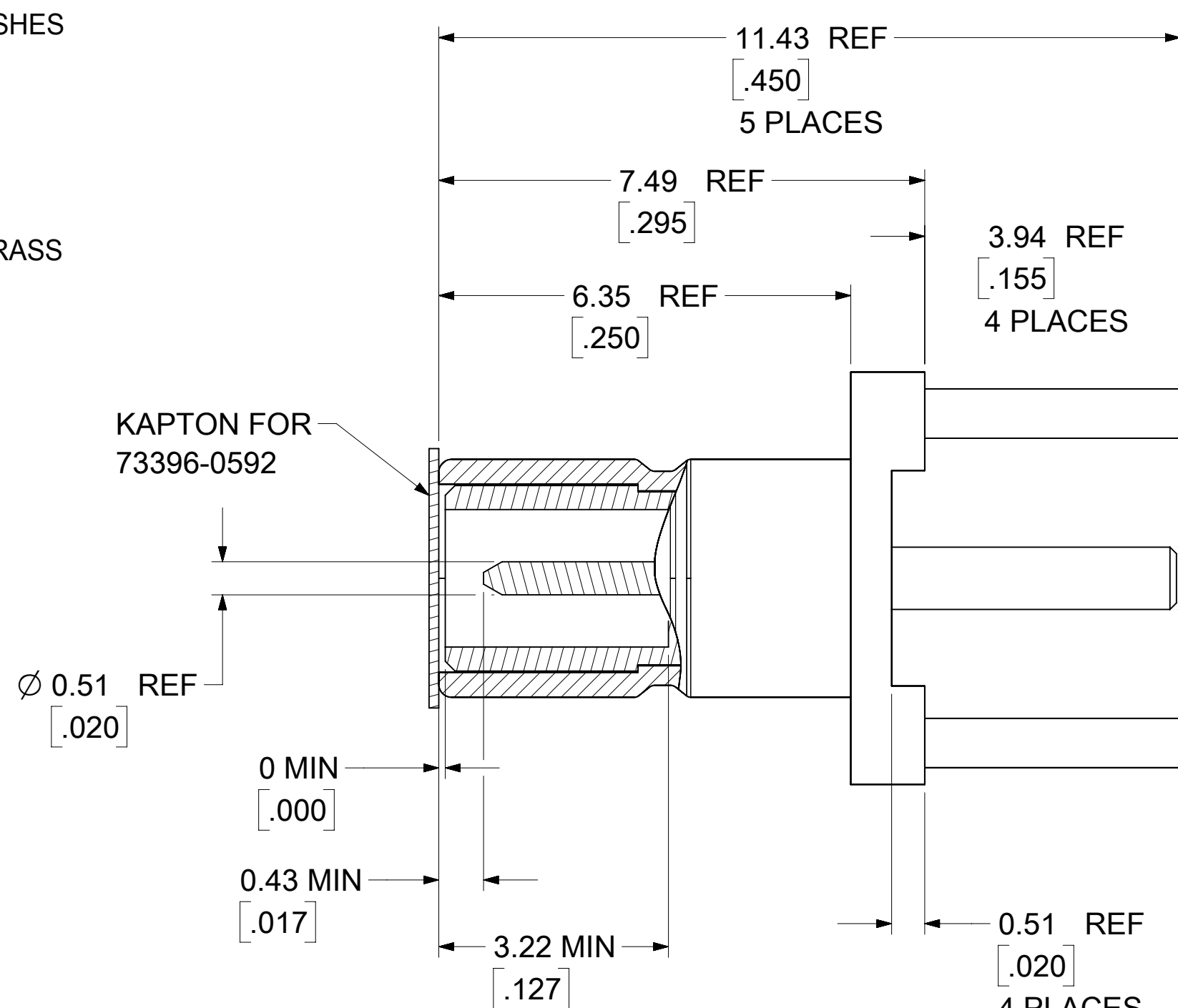


MATERIALS AND FINISHES

BODY BRASS
PLATED SEE TABLE

CENTER CONTACT BRASS
PLATED GOLD

INSULATOR TEFLON



RECOMMENDED PCB MOUNTING HOLE

| | |
|------------|----------------------------------|
| 73396-0592 | TAPE & REEL + KAPTON (1250 PCS) |
| 73396-0591 | TRAY/NICKEL (20 PCS) |
| 73396-0590 | SMALL TRAY PACKING/GOLD (20 PCS) |
| 73404-2300 | 73100-0207, ONE PER BAG/GOLD |
| 73100-0207 | TRAY/GOLD (80 PCS) |
| PART NO. | PACKAGING/FINISH |

| | |
|---------------|-------------|
| PS-73598-0099 | INTERFACE |
| SPECIFICATION | DESCRIPTION |

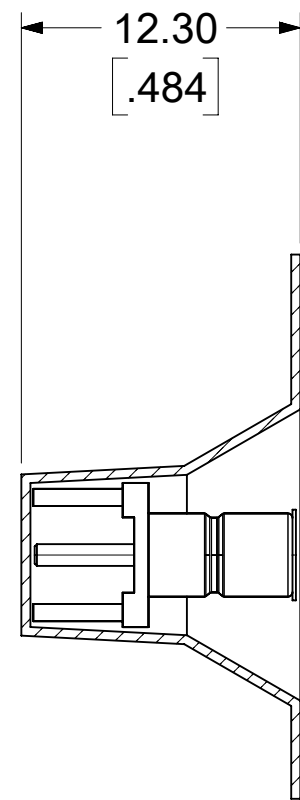
勝特力電材超市-龍山店 886-3-5773766
 勝特力電材超市-光復店 886-3-5729570
 勝特力电子(上海) 86-21-34970699
 勝特力电子(深圳) 86-755-83298787
<http://www.100y.com.tw>

| | | | | |
|--------------------|---|----------------|---|---------------------|
| FUNCTIONAL SYMBOLS | THIS DRAWING CONTAINS INFORMATION THAT IS PROPRIETARY TO MOLEX ELECTRONIC TECHNOLOGIES, LLC AND SHOULD NOT BE USED WITHOUT WRITTEN PERMISSION | | | |
| ▽A = 0 | DIMENSION UNITS | SCALE | CURRENT REV DESC: EWR-13882-A ADDED 73396-0592 PART NO | |
| ▽E = 0 | HYBRID | 1:1 | | |
| ▽P = 0 | GENERAL TOLERANCES (UNLESS SPECIFIED) | | | |
| DIVISIONAL SYMBOLS | ANGULAR TOL | ± ° | | |
| | 4 PLACES | ± | EC NO: 645598 | |
| | 3 PLACES | ± | DRWN: JSU18 | 2020/06/24 |
| | 2 PLACES | ± | CHK'D: YCHENG | 2020/09/24 |
| | 1 PLACE | ± | APPR: YCHENG | 2020/09/24 |
| | 0 PLACES | ± | INITIAL REVISION: | |
| | DRAFT WHERE APPLICABLE MUST REMAIN WITHIN DIMENSIONS | | DRWN: RFC_PLMIMP | 2017/11/01 |
| | THIRD ANGLE PROJECTION | | APPR: JWIENER | 2007/05/01 |
| | DRAWING SERIES | | C-SIZE | 73100 |
| DOCUMENT STATUS | | P1 | RELEASE DATE | 2020/09/24 03:43:26 |
| DOCUMENT NUMBER | | CUSTOMER | | SHEET NUMBER |
| SD-73100-0207 | | GENERAL MARKET | | 1 OF 4 |
| DOC TYPE | | DOC PART | REVISION | |
| PSD | | 001 | B5 | |

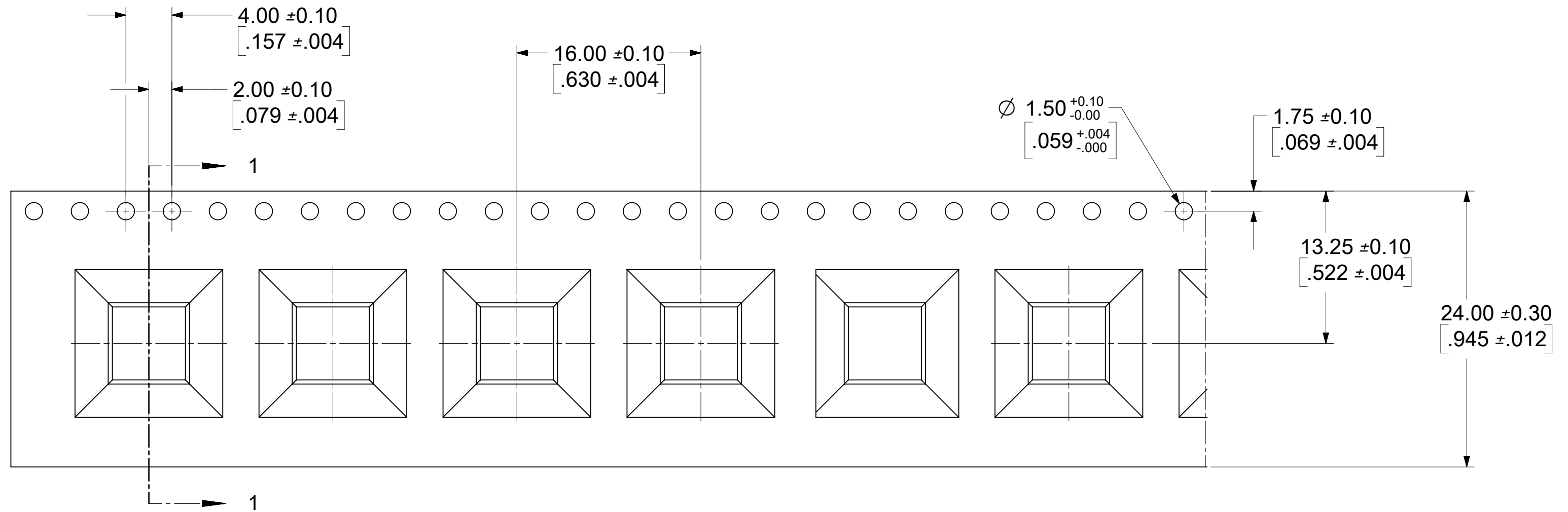


SMB JACK, VERTICAL PCB
50 OHMS SMB-JR/PCB

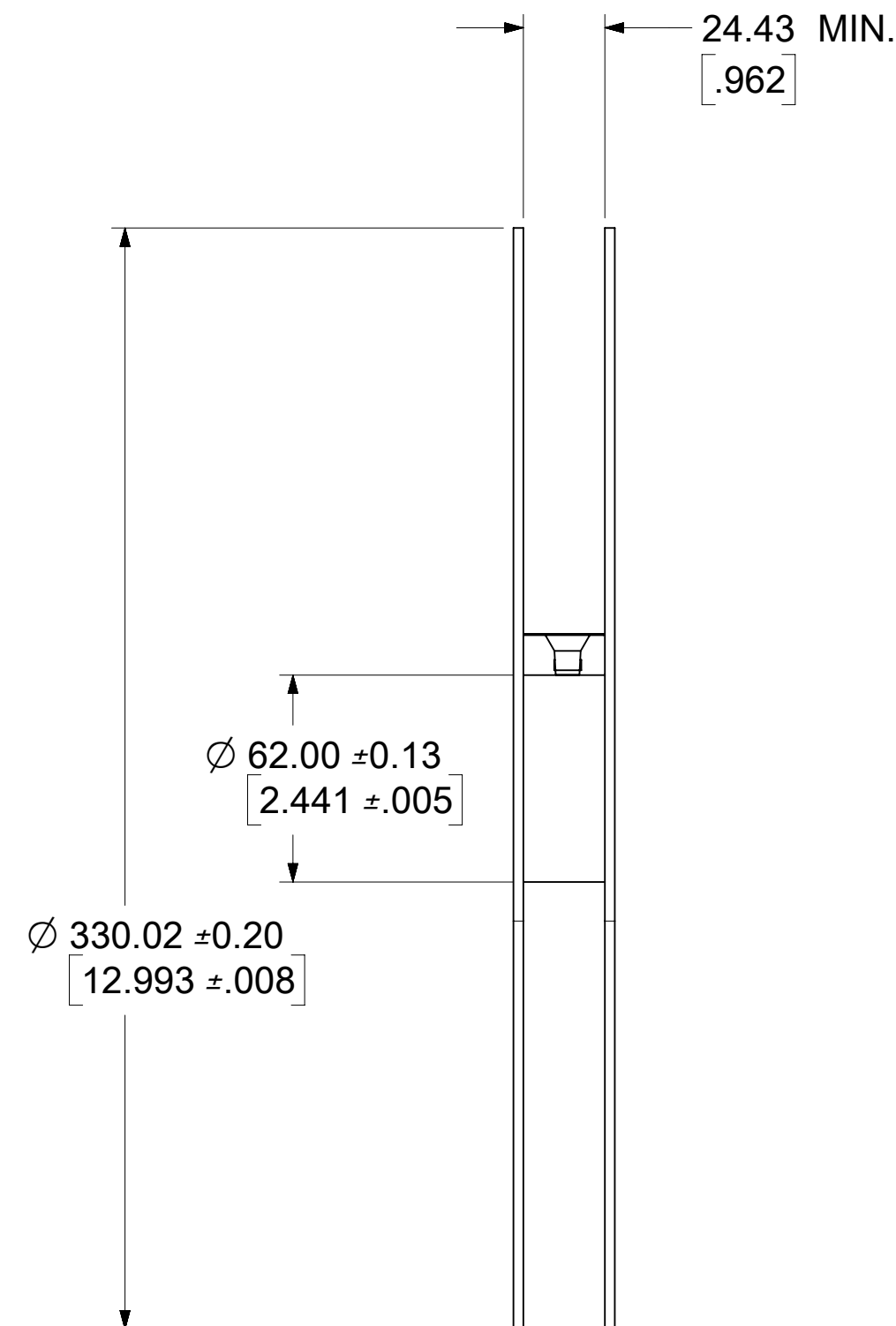
PRODUCT CUSTOMER DRAWING



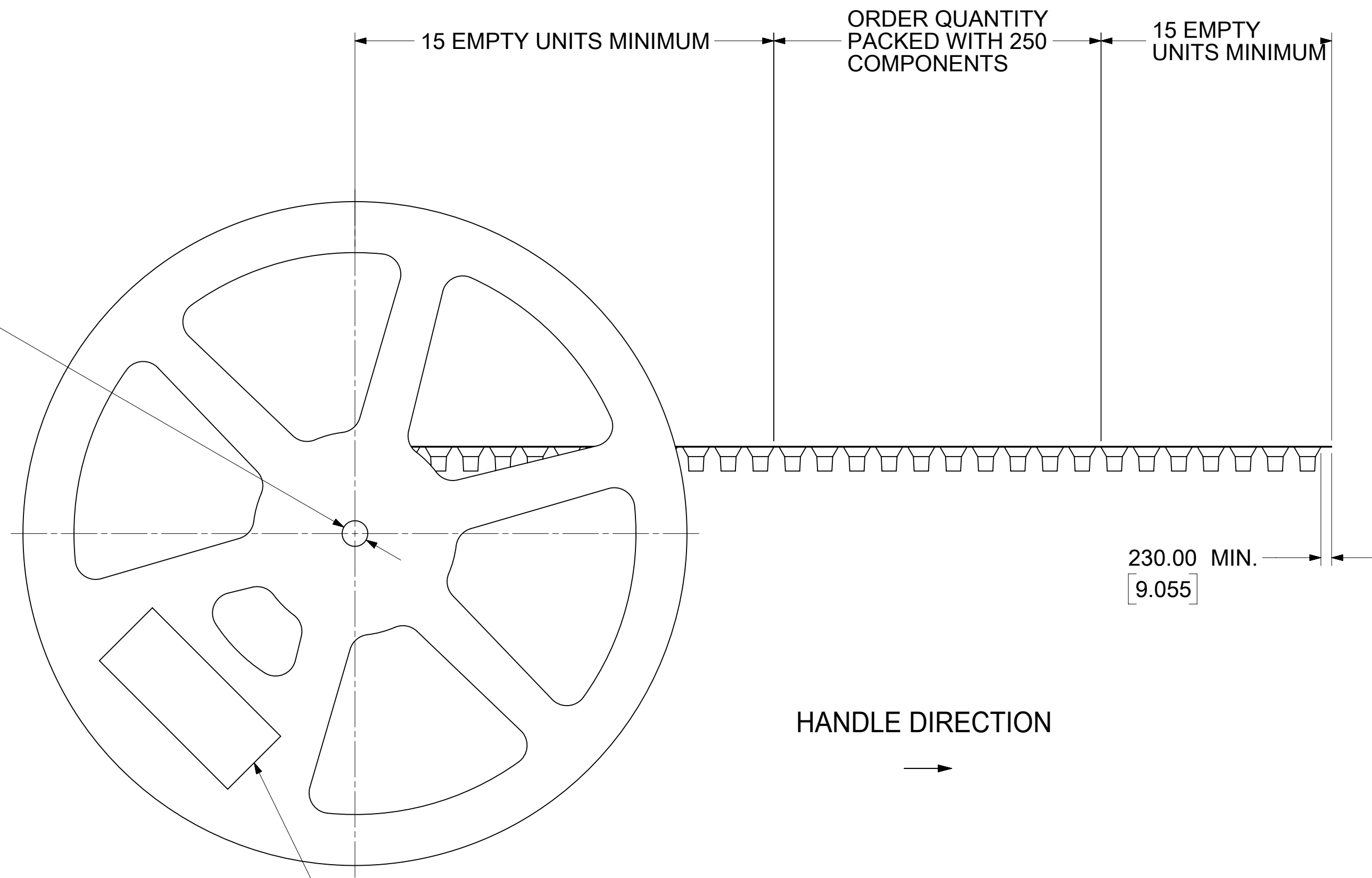
Section 1-1



| | | | | | | | | | | | |
|--------------------|---|--|---|------------------------|--|---------|--|----------------|--|--------------------------|--|
| FUNCTIONAL SYMBOLS | THIS DRAWING CONTAINS INFORMATION THAT IS PROPRIETARY TO MOLEX ELECTRONIC TECHNOLOGIES, LLC AND SHOULD NOT BE USED WITHOUT WRITTEN PERMISSION | | | | | | | | | | |
| | DIMENSION UNITS | SCALE | CURRENT REV DESC: EWR-13882-A ADDED 73396-0592 PART NO | | | | | | | molex | |
| $\frac{F}{A} = 0$ | HYBRID | 1:1 | EC NO: 645598 | | | | | | | | |
| $\frac{F}{C} = 0$ | GENERAL TOLERANCES (UNLESS SPECIFIED) | | DRWN: JSU18 2020/06/24 | | | | | | | PRODUCT CUSTOMER DRAWING | |
| $\frac{F}{P} = 0$ | ANGULAR TOL ± ° | | CHK'D: YCHENG 2020/09/24 | | | | | | | DOCUMENT NUMBER | |
| DIVISIONAL SYMBOLS | 4 PLACES ± | | APPR: YCHENG 2020/09/24 | | | | | | | DOC TYPE | |
| | 3 PLACES ± | | INITIAL REVISION: | | | | | | | DOC PART | |
| | 2 PLACES ± | | DRWN: RFC_PLMIMP 2017/11/01 | | | | | | | REVISION | |
| | 1 PLACE ± | | APPR: JWIENER 2007/05/01 | | | | | | | SD-73100-0207 | |
| 0 PLACES ± | | DRAFT WHERE APPLICABLE MUST REMAIN WITHIN DIMENSIONS | | THIRD ANGLE PROJECTION | | DRAWING | | SERIES | | MATERIAL NUMBER | |
| | | | | C-SIZE | | 73100 | | CUSTOMER | | SHEET NUMBER | |
| | | | | | | | | GENERAL MARKET | | 2 OF 4 | |



Ø 12.75 ^{+0.15}/_{-0.00}
[.502 ^{+0.006}/_{-0.000}]



LABEL:
- ORDER
- QUANTITY
- PART NUMBER
- LOT NO.

勝特力電材超市-龍山店 886-3-5773766
勝特力電材超市-光復店 886-3-5729570
勝特力电子(上海) 86-21-34970699
勝特力电子(深圳) 86-755-83298787
<http://www.100y.com.tw>

| | | | | | | | | | | | |
|---------------------------------------|---|---------------------------------------|---|--|--|--|--|--|--|----------------------------|--|
| FUNCTIONAL SYMBOLS | THIS DRAWING CONTAINS INFORMATION THAT IS PROPRIETARY TO MOLEX ELECTRONIC TECHNOLOGIES, LLC AND SHOULD NOT BE USED WITHOUT WRITTEN PERMISSION | | | | | | | | | | |
| | DIMENSION UNITS | SCALE | CURRENT REV DESC: EWR-13882-A ADDED 73396-0592 PART NO | | | | | | | molex | |
| HYBRID | 1:1 | GENERAL TOLERANCES (UNLESS SPECIFIED) | | | | | | | SMB JACK, VERTICAL PCB 50 OHMS SMB-JR/PCB | | |
| GENERAL TOLERANCES (UNLESS SPECIFIED) | ANGULAR TOL ± ° | | EC NO: 645598 | | | | | | | PRODUCT CUSTOMER DRAWING | |
| 4 PLACES ± | 3 PLACES ± | | DRWN: JSU18 2020/06/24 | | | | | | | DOCUMENT NUMBER | |
| 2 PLACES ± | 1 PLACE ± | | CHK'D: YCHENG 2020/09/24 | | | | | | | SD-73100-0207 | |
| 0 PLACES ± | DRAFT WHERE APPLICABLE MUST REMAIN WITHIN DIMENSIONS | | APPR: YCHENG 2020/09/24 | | | | | | | DOC TYPE DOC PART REVISION | |
| THIRD ANGLE PROJECTION | DRAWING | SERIES | INITIAL REVISION: | | | | | | | PSD 001 B5 | |
| C-SIZE | 73100 | DRWN: RFC_PLMIMP 2017/11/01 | | | | | | | MATERIAL NUMBER | | |
| THIRD ANGLE PROJECTION | | | APPR: JWIENER 2007/05/01 | | | | | | | CUSTOMER | |
| C-SIZE | | | GENERAL MARKET | | | | | | | SHEET NUMBER | |
| C-SIZE | | | 3 OF 4 | | | | | | | | |